

EAN: 4015474259263
static.hansa.com/58099103



- Shower
- Thermostatic
- Wall mounted
- Chrome
- Temperature control handle, Flow control handle
- Turn operated diverter, Integrated into flow control handle
- Adjustable shower rail bracket, Shower hose (1750 mm)
- Normal, Intense, Rain
- Adjustable hot water stop (included, retrofittable), Safety stop against scalding at 38°C
- Thermostatic cartridge for automatic temperature control, Litter filter(s), Non-return valve(s)
- Eccentric coupling(s), Cover plate(s), Silencer(s)
- Inner body made of DZR brass, Thermal disinfection without cartridge readjustment
- protected against back-flow in domestic use (according to DIN EN 1717)

Technical data

Flow properties

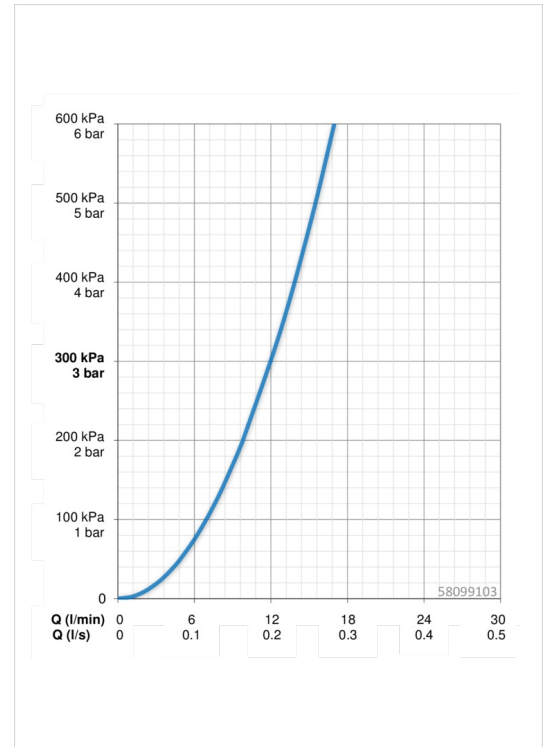
Flow-rate at 3 bar	12.0 / 12.0 l/min
Pressure loss with flow (0.2 l/s)	3 bar

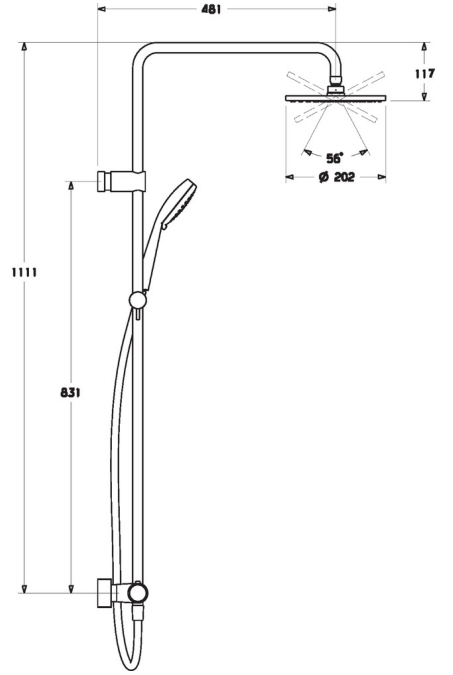
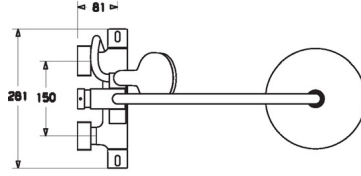
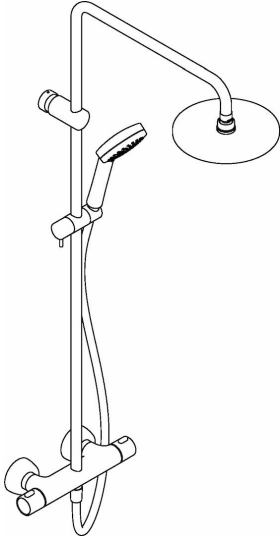
Technical properties

DN-size (nominal dimension)	DN15
Hot water supply	max. +90°C
Working pressure	1-10 bar
Installation width	cc150 ± 15 mm

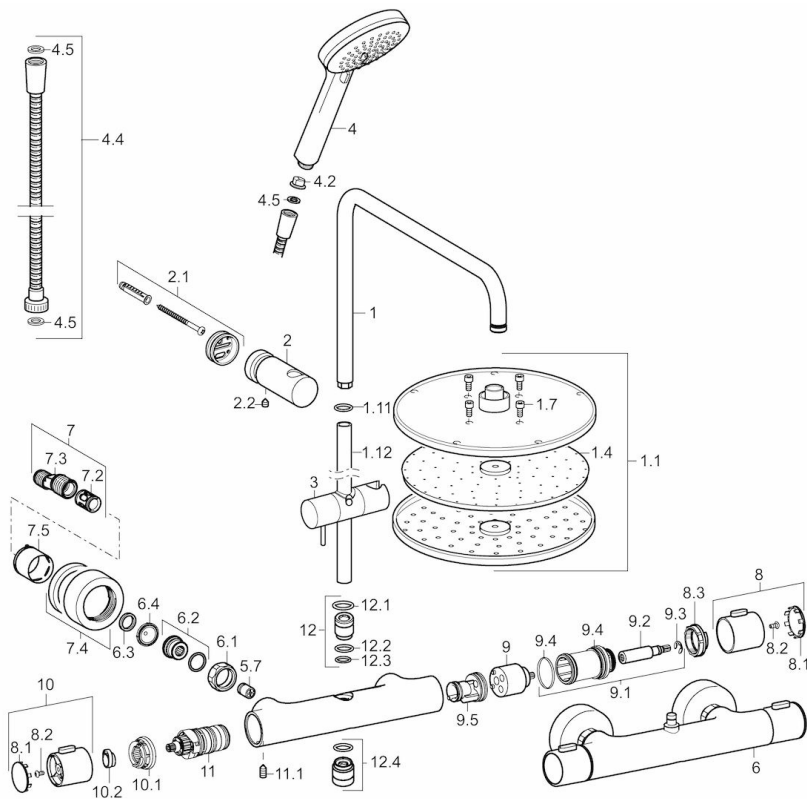
Regulations

EN standard	EN 1111
-------------	----------------





Spare parts



SP58099103

	Name	Code
1	Shower pipe	59913810
1.1	Overhead shower, d 200 mm	59913747
1.11	O-ring kit	59913808
1.12	Shower pipe	59913945
1.4	Nozzle plate, d 200 mm, (-2019)	59913751
1.7	Screw	59913754
10	Temperature control handle	59913938
10.1	Temperature adjustment limiter	59913937
10.2	Locking screw, 38°	59913919
11	Thermostatic cartridge, 3.3	59913871
11.1	Screw, M6 x 9,5	59901609
12	Coupling for overhead shower pipe, M16x1, SW10	59913944
12.1	O-ring, d 15x2.5	59910423
12.3	O-ring, 9x2	59905095
12.4	Thread nipple, G 1/2 x M 18 x 1	59911384
2	Shower pipe holder	59913947
2.1	Fixing set	59913946
2.2	Screw, M5x8, SW2.5	59904755
2.2-6		
3	Slide for shower rail	59913755
4	Hand shower, d 100 mm	44330100
4.2	Strainer	59906859
4.4	Shower hose, L=1750	44120300
4.5	Gasket ring, d 21x12x2	59912304
5.7	Non-return valve	59905714
6	Thermostat	59913950
6.1	Connection nut, G3/4, AF 30	59902230
6.2	Nipple	59911075
6.3	Retaining ring, 23.9x15.2x2	59902689
6.4	Filter sealing, G3/4	59911076
7	Eccentric connector, G3/4 x G1/2	59910254
7.2	Silencer	59904792
7.4	Cover flange	59913432
7.5	Cover sleeve	59912651
8	Flow control handle	59913952
8.1	Cover	59913850
8.2	Screw, M4x8	59913851
8.3	Adjusting ring	59913940
9	Headpart	59913936
9.1	Fixing screw, SW30	59913941
9.2	Spindle	59913689
9.4	O-ring, d 32x2	59912803
9.5	Inner part	59913942
N.I.	Flow limiter	59913753