

EAN: 4015474279001
static.hansa.com/81149562



- Bathtub
- Trim Kit, Thermostatic
- Concealed wall mounting
- Chrome
- Temperature control handle, Flow control handle
- Turn operated diverter
- Safety stop against scalding at 38°C
- Thermostatic cartridge for automatic temperature control, Non-return valve(s)
- Inner body made of DZR brass, BLUESWITCH 2-way operated diverter with volume control and stop function
- Squarewallrosette, FunctionUnitFixedWithScrews, BLUECLICK, BLUETUNE

Technical data

Flow properties

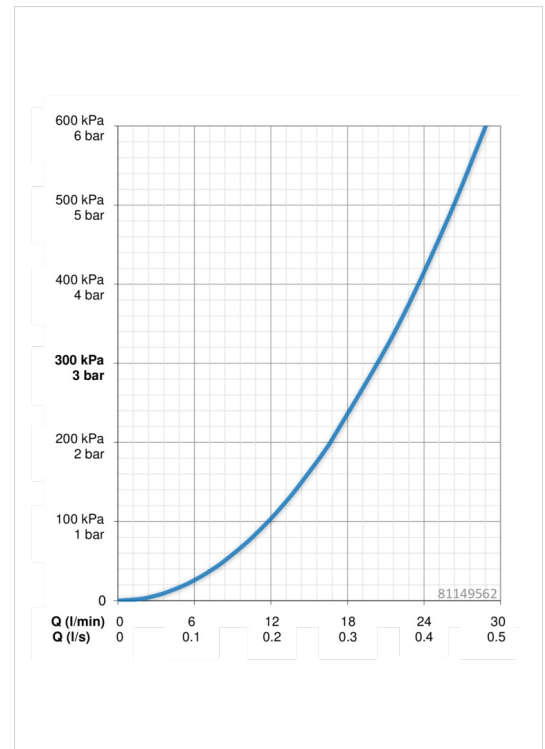
Flow-rate at 3 bar **20.4 / 20.4 l/min**

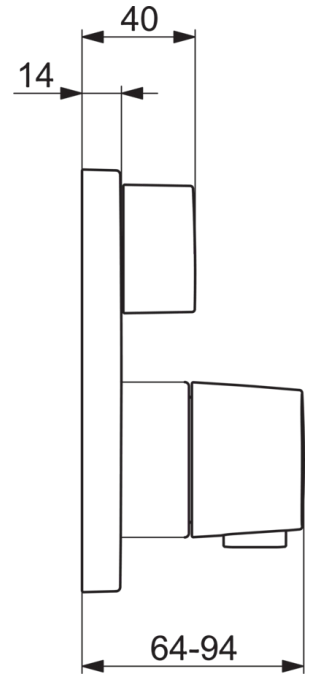
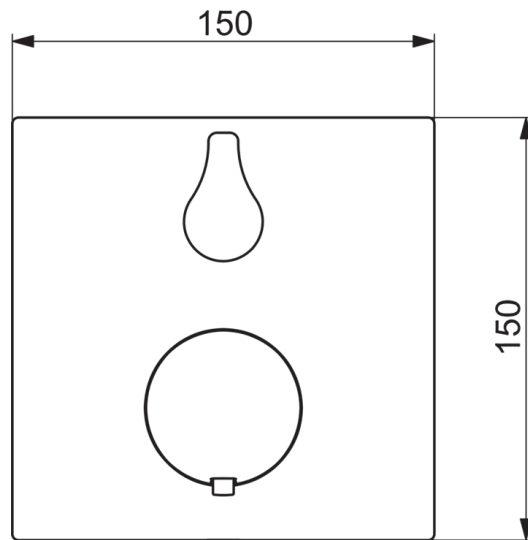
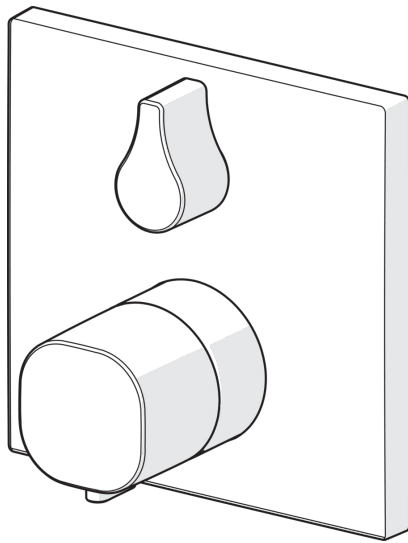
Technical properties

Hot water supply **max. +90°C**
 Working pressure **1-10 bar**

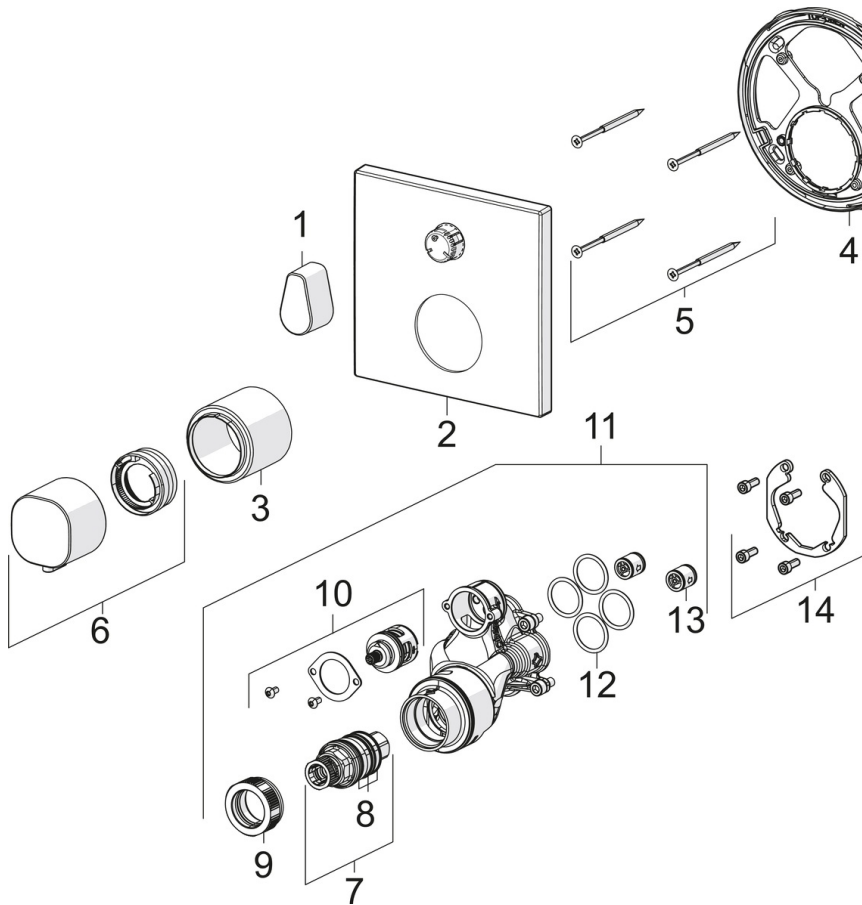
Regulations

EN standard **EN 1111**





Spare parts



SP81139562

| | Name | Code |
|------|------------------------------------------|----------|
| 01 | Flow control handle | 59914577 |
| 02 | Cover flange, 150 x 150 mm | 59914315 |
| 03 | Cover sleeve | 59914294 |
| 04 | Fixing part | 59914307 |
| 05 | Screw, M4.5x80 | 59912890 |
| 06 | Temperature control handle | 59914295 |
| 07 | Thermostatic cartridge, 3.4 | 59914114 |
| 08 | O-ring kit | 59914113 |
| 09 | Tightening nut, M36x1.5, SW38 | 59914319 |
| 10 | Diverter/Cartridge | 59914183 |
| 11 | Functional unit, (8114, 8862) | 59914311 |
| 11 | Functional unit, (8113,8861) | 59914316 |
| 12 | O-ring, 23.47x2.62 | 59914304 |
| 13 | Non-return valve | 59905714 |
| 14 | Installation kit | 59914186 |
| N.I. | Raising kit, 15 mm, 150 x 150 mm | 59914192 |
| N.I. | Adapter, H/C reversed | 59914184 |
| N.I. | Raising kit, 15 mm | 59914182 |
| N.I. | Fixing screw, M6x13 | 59914657 |
| N.I. | Diverter, 240°, (8114, 8862) | 59914656 |
| N.I. | Temperature adjustment limiter, max 38°C | 59914619 |
| N.I. | Diverter, 120° | 59914655 |