

EAN: 4015474253353  
[static.hansa.com/58149103](http://static.hansa.com/58149103)



- Shower
- Thermostatic
- Wall mounted
- Chrome
- Temperature control handle, Flow control handle
- Adjustable shower rail bracket, Shower hose (1250 mm)
- Normal, Intense, Rain
- The housing of the fittings conducts minimal heat, Adjustable hot water stop (included, retrofittable), Safety stop against scalding at 38°C
- Thermostatic cartridge for automatic temperature control, Ceramic head part for flow control, Non-return valve(s), Litter filter(s)
- Eccentric coupling(s), Cover plate(s), Silencer(s)
- Inner body made of DZR brass
- protected against back-flow in domestic use (according to DIN EN 1717)

## Technical data

### Flow properties

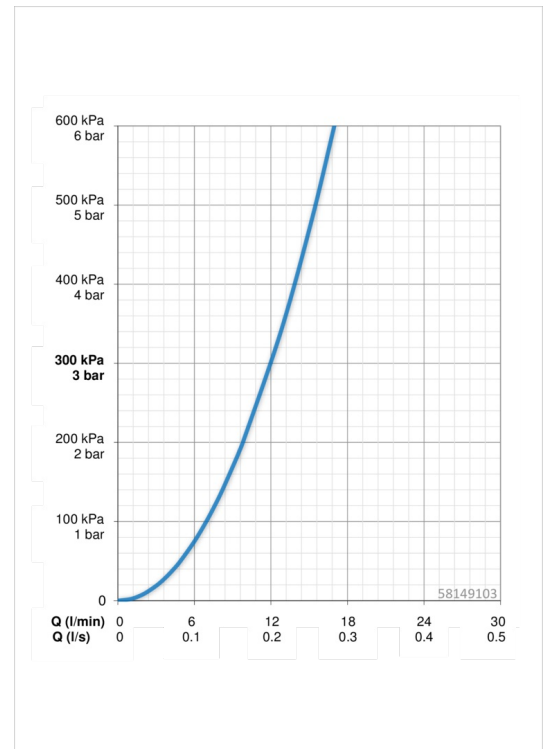
Flow-rate at 3 bar	<b>12.0 / 12.0 l/min</b>
Pressure loss with flow (0.2 l/s)	<b>3 bar</b>

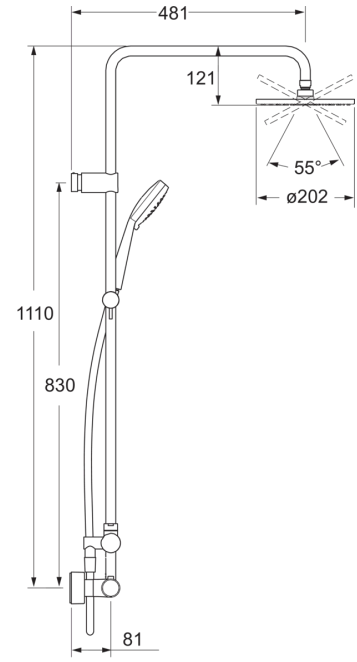
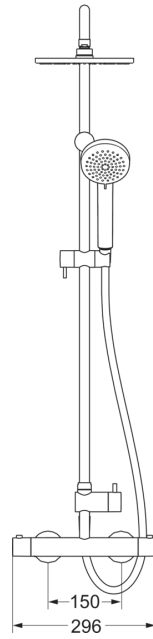
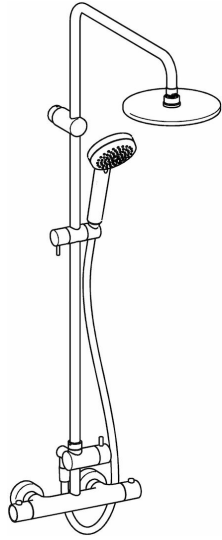
### Technical properties

DN-size (nominal dimension)	<b>DN15</b>
Hot water supply	<b>max. +65°C</b>
Working pressure	<b>1-10 bar</b>
Installation width	<b>cc150 ± 15 mm</b>
Projection	<b>481 mm</b>

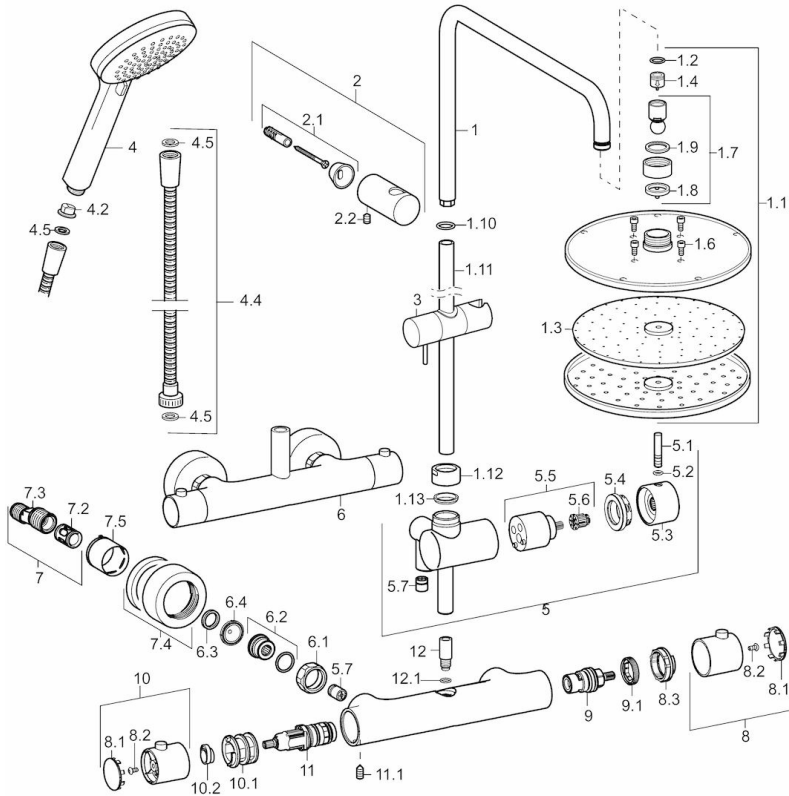
### Regulations

EN standard	<b>EN 1111</b>
Noise class	<b>I (ISO 3822)</b>





## Spare parts



### SP58149103

Name	Code	
1	Shower pipe	59913810
1.1	Overhead shower, d 200 mm	59913747
1.10	O-ring kit	59913808
1.11	Shower pipe	59913858
1.12	Nut	59913821
1.13	O-ring kit	59913808
1.3	Nozzle plate, d 200 mm, (-2019)	59913751
1.5	Flow limiter	59913753
1.6	Screw	59913754
10	Temperature control handle	59913852
10.1	Temperature adjustment limiter	59913853
10.2	Temperature adjustment limiter	59913825
11	Thermostatic cartridge, 2.7	59913823
11.1	Screw, M6 x 9,5	59901609
12	Thread nipple, M10 x 1	59913855
12.1	O-ring, d 8,1 X d 1,6	59910692
2	Wall support	59913859
2.1	Fixing set	59913812
2.2	Screw, M5x8, SW2.5	59904755
3	Slide for shower rail	59913755
4	Hand shower, d 100 mm	44330100
4.2	Strainer	59906859
4.4	Shower hose, L=1250	44120400
4.5	Gasket ring, d 21x12x2	59912304
5	Diverter body complete	59913857
5.1	Pin, M6, 21 mm	59913284
5.2	O-ring, d 3x1.5	59913100
5.3	Handle	59913817
5.4	Tightening nut, M37x1, AF30	59912111
5.5	Diverter	59913818
5.6	Adapter White	59910235
5.7	Non-return valve	59905714
6	Shower faucet, (-2018)	59913856
6.1	Connection nut, G3/4, AF 30	59902230
6.2	Nipple	59911075
6.3	Retaining ring, 23.9x15.2x2	59902689
6.4	Filter sealing, G3/4	59911076
7	Eccentric connector, G3/4 x G1/2	59910254
7.2	Silencer	59904792
7.4	Cover flange	59913432
7.5	Cover sleeve	59912651
8	Flow control handle	59913854
8.1	Cover	59913850
8.2	Screw, M4x8	59913851
8.3	Temperature adjustment limiter	59913465
9	Headpart, 1/2", 180°	59911103
9.1	Ring	59913469