

EAN: 4015474209985
static.hansa.com/08070101



- Bathtub
- Trim Kit
- Concealed wall mounting
- Chrome
- Integrated into flow control handle
- Thermostatic cartridge for automatic temperature control, Litter filter(s), Non-return valve(s)
- with integrated shut-off valve(s)
- Inner body made of DZR brass
- Squarewallrosette

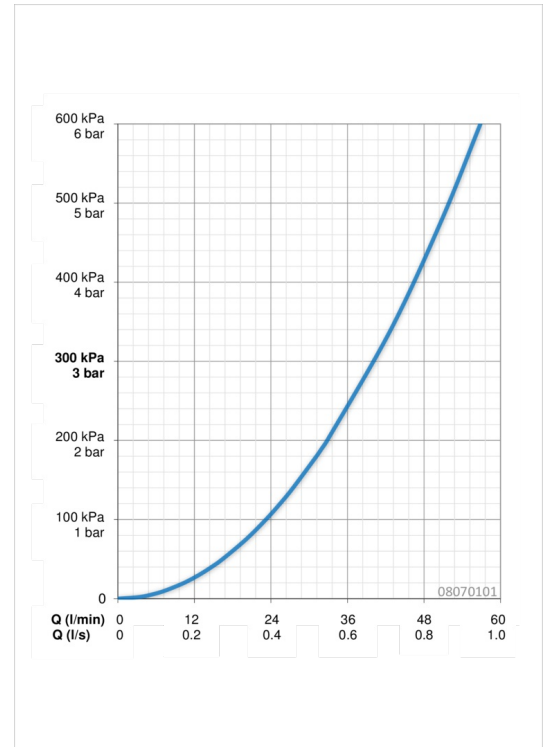
Technical data

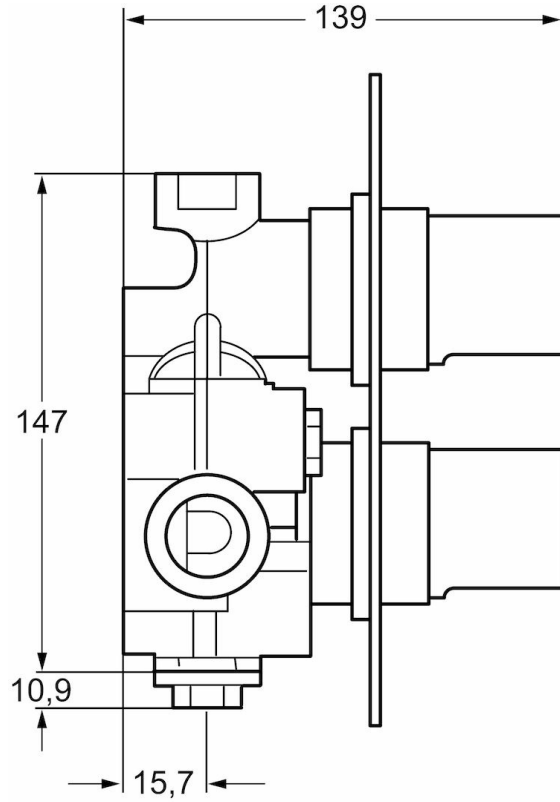
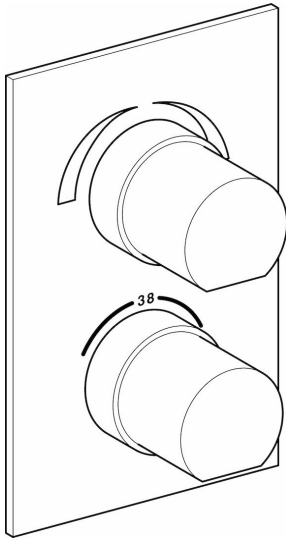
Flow properties

Flow-rate at 3 bar **40.2 l/min**

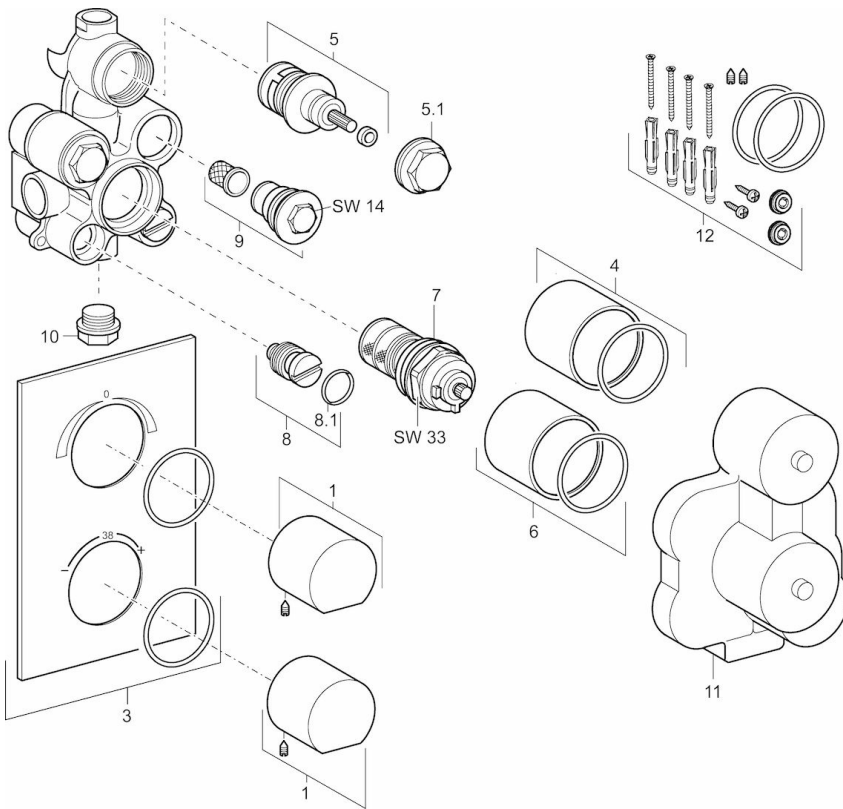
Technical properties

Hot water supply **max. +90°C**
 Working pressure **0.5-10 bar**





Spare parts



SP08070101

	Name	Code
1	Handle	59913925
10	Plug, G1/2	59913932
12	Sealing kit	59913935
3	Cover plate	59913924
4	Cover sleeve	59913926
5	Headpart	59913929
5.1	Eye screw	59913928
6	Cover sleeve	59913927
7	Thermostatic element, DN20	59913060
8	Shut-off valve	59913931
9	Non-return valve	59913930