

EAN: 4057304020438  
[static.hansa.com/5437220781](http://static.hansa.com/5437220781)

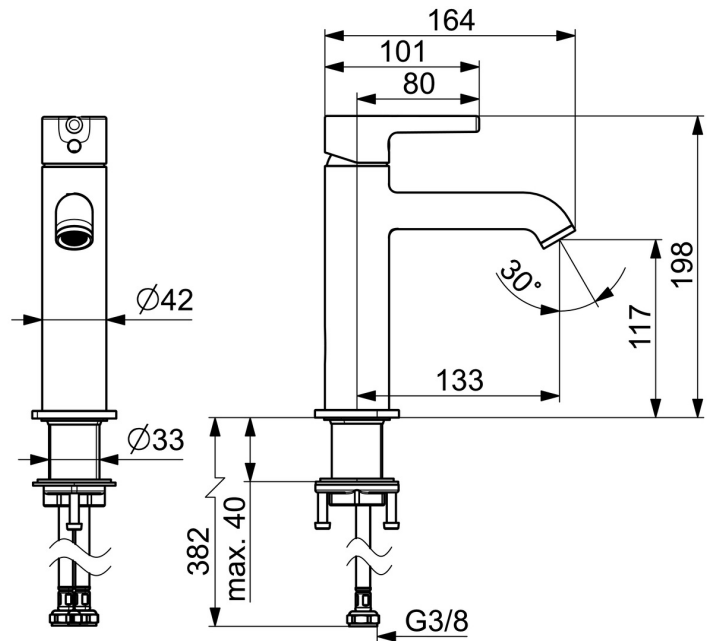
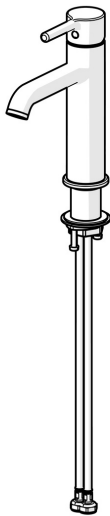


When great design becomes an attraction of its own, you know it will make a difference in your life. Besides bringing beauty to life, this new classic is also designed to bring any modern bathroom to the next level. Slender design and graceful shapes make this faucet the highlight of any space.

High quality  
 Sleek design  
 Anti-limescale rubber aerator for easy cleaning  
 Made in Europe

Perfect fit for any bathroom

- Washbasin
- Single-lever
- Deck mounted
- Brushed bronze
- Fixed spout
- Standard aerator, PCA® - constant flow rate regardless of pressure variations
- Single operating lever/handle, Pin shape, Hot/Cold symbols
- Limitation option for maximum temperature and flow-rate
- ø 30 mm ceramic cartridge for flow and temperature control
- Flexible inlet pipes
- Inner body made of DZR brass
- Without pop-up waste



## Technical data

### Flow properties

Flow-rate at 3 bar (with flow controller) **6.0 l/min**

### Technical properties

Hot water supply **max. +70°C**  
 Working pressure **0.5-10 bar**  
 Connection size **G3/8**  
 Projection **133 mm**  
 Backflow prevention (EN1717) **AA**  
 Material **Brass**

### Regulations

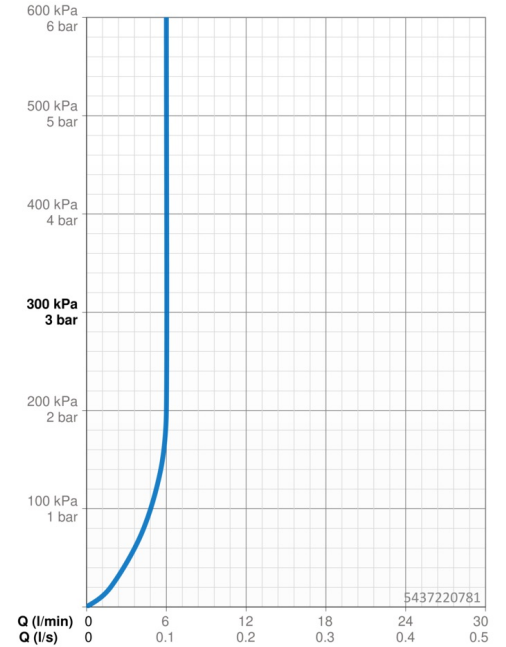
EN standard **EN 817**  
 Noise class **I (ISO 3822)**

### Approvals and Declarations

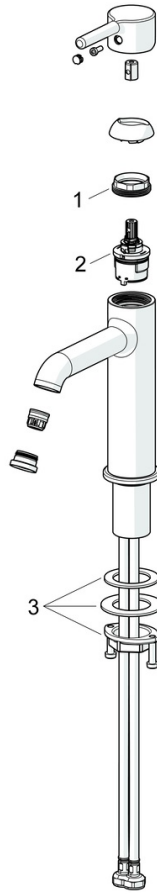
Declaration of conformity **DoC**  
 EPD **S-P-06391**

### Sustainability

EPD module A1 (kg CO2 eq.) **6,50**  
 EPD module A2 (kg CO2 eq.) **0,31**  
 EPD module A3 (kg CO2 eq.) **0,62**  
 EPD module A1-A3 (kg CO2 eq.) **7,43**  
 EPD module A4 (kg CO2 eq.) **0,21**  
 EPD module B7 (kg CO2 eq.) **1854,00**  
 EPD module C2 (kg CO2 eq.) **0,01**  
 EPD module C3 (kg CO2 eq.) **0,02**  
 EPD module C4 (kg CO2 eq.) **0,06**  
 EPD module D (kg CO2 eq.) **-5,29**



## Spare parts



### SP54372207CLR

	Name	Code
01	Tightening nut, M34x1.5	1012133V
02	Cartridge, 3.0	1014428V
03	Fixing set	59913479