

EAN: 4015474209985
static.hansa.com/08070101



- Bath tub & Shower
- Trim Kit
- Concealed wall mounting
- Chrome
- Integrated into flow control handle
- Thermostatic cartridge for automatic temperature control, Litter filter(s), Non-return valve(s)
- with integrated shut-off valve(s)
- Inner body made of DZR brass
- Square rosette

Technical data

Flow properties

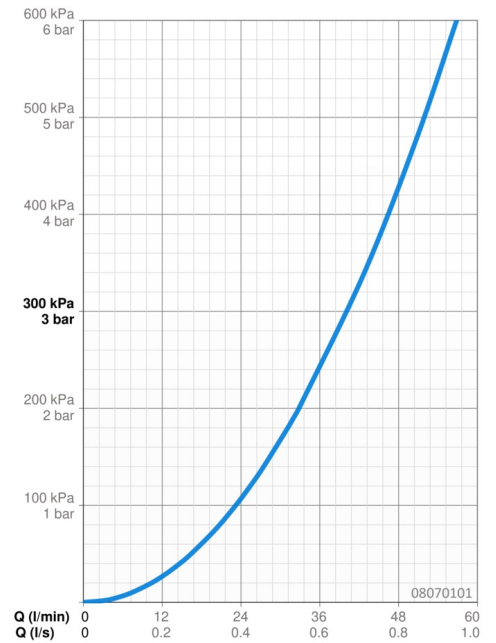
Flow-rate at 3 bar **40.2 l/min**

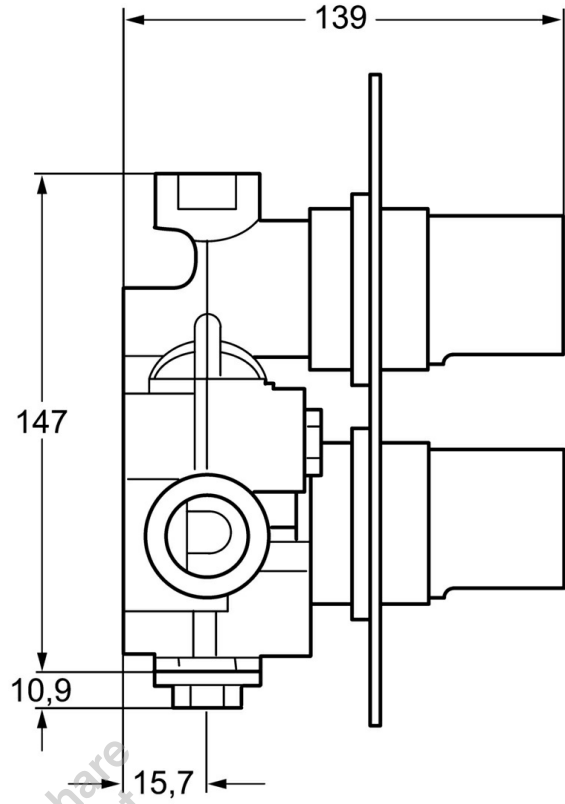
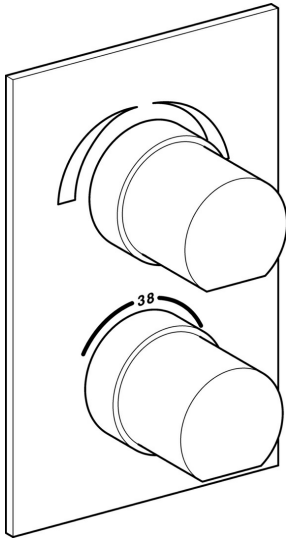
Technical properties

Hot water supply **max. +80°C**
 Working pressure **0.1-1 bar**
 Backflow prevention (EN1717) **EB**

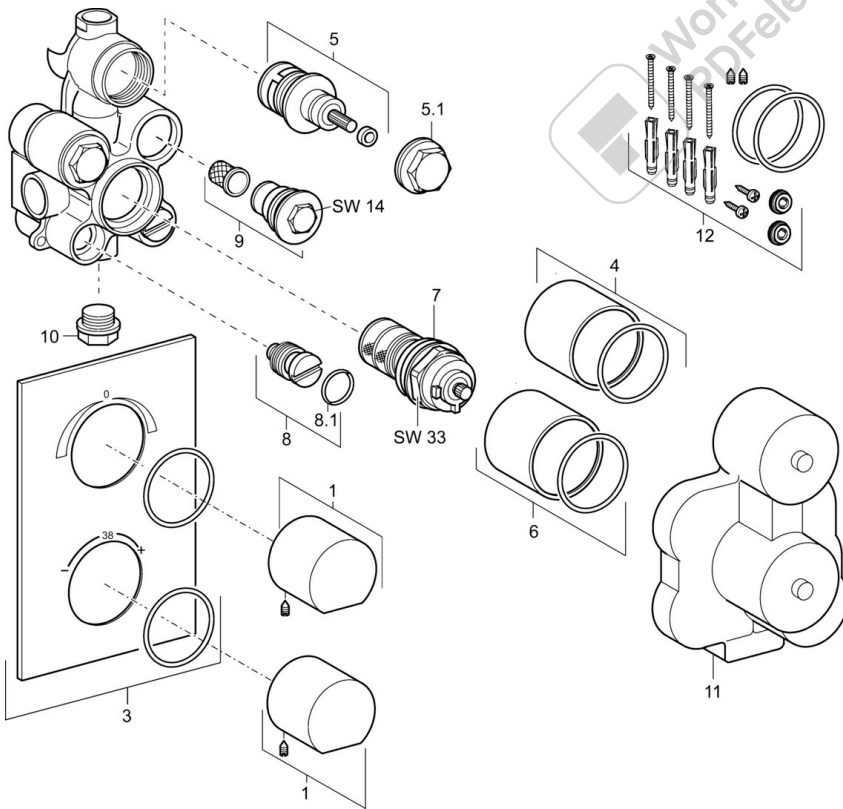
Regulations

EN standard **EN 1111**





Spare parts



SP08070101

	Name	Code
1	Handle	59913925
3	Cover plate	59913924
4	Cover sleeve	59913926
5	Headpart	59913929
5.1	Eye screw Discontinued	59913928
6	Cover sleeve	59913927
7	Thermostatic element, DN20	59913060
8	Shut-off valve Discontinued	59913931
9	Non-return valve	59913930
10	Plug, G1/2 Discontinued	59913932
12	Sealing kit	59913935

EAN: 4015474210028
static.hansa.com/08070102

- Bath tub & Shower
- Trim Kit
- Concealed wall mounting
- Chrome
- Cross shape
- Integrated into flow control handle
- Thermostatic cartridge for automatic temperature control, Litter filter(s), Non-return valve(s)
- with integrated shut-off valve(s)
- Inner body made of DZR brass
- Square rosette

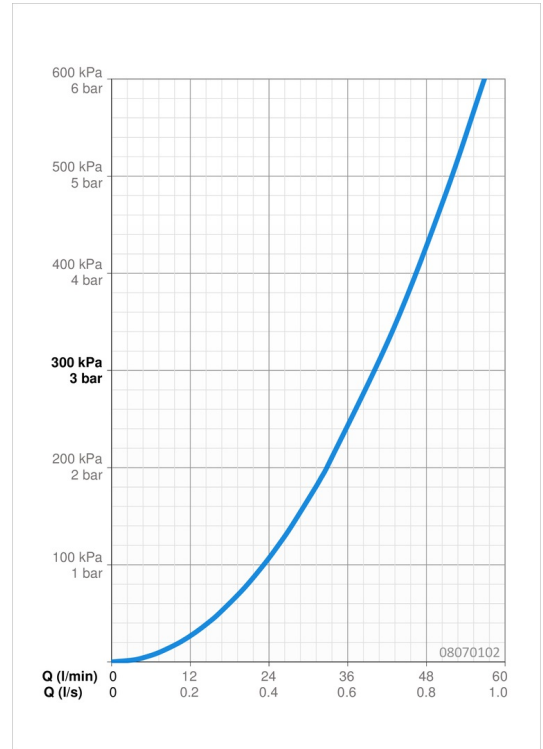
Technical data

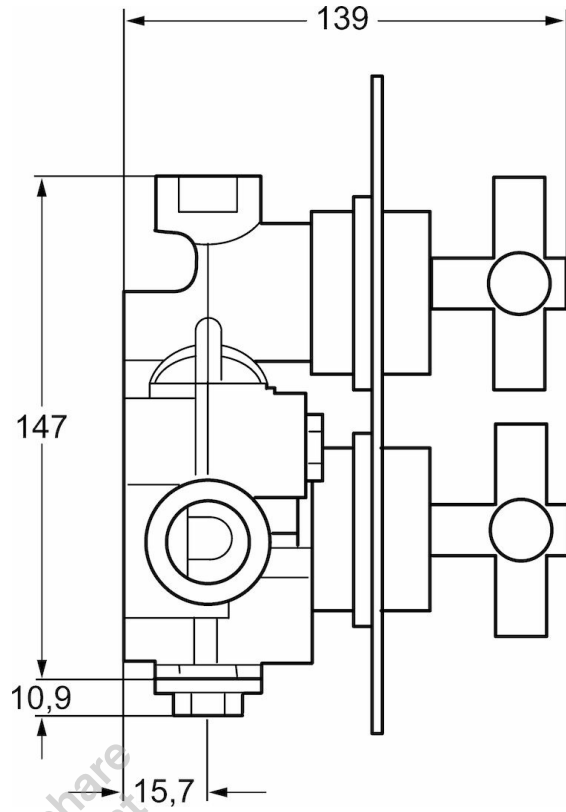
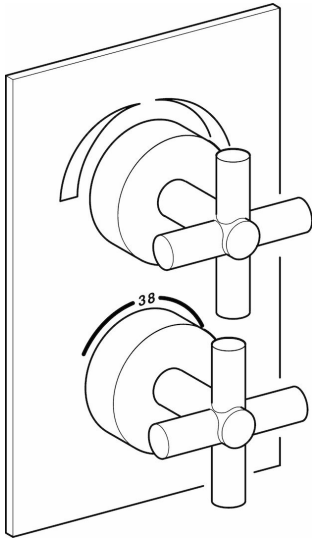
Flow properties

Flow-rate at 3 bar **40.2 l/min**

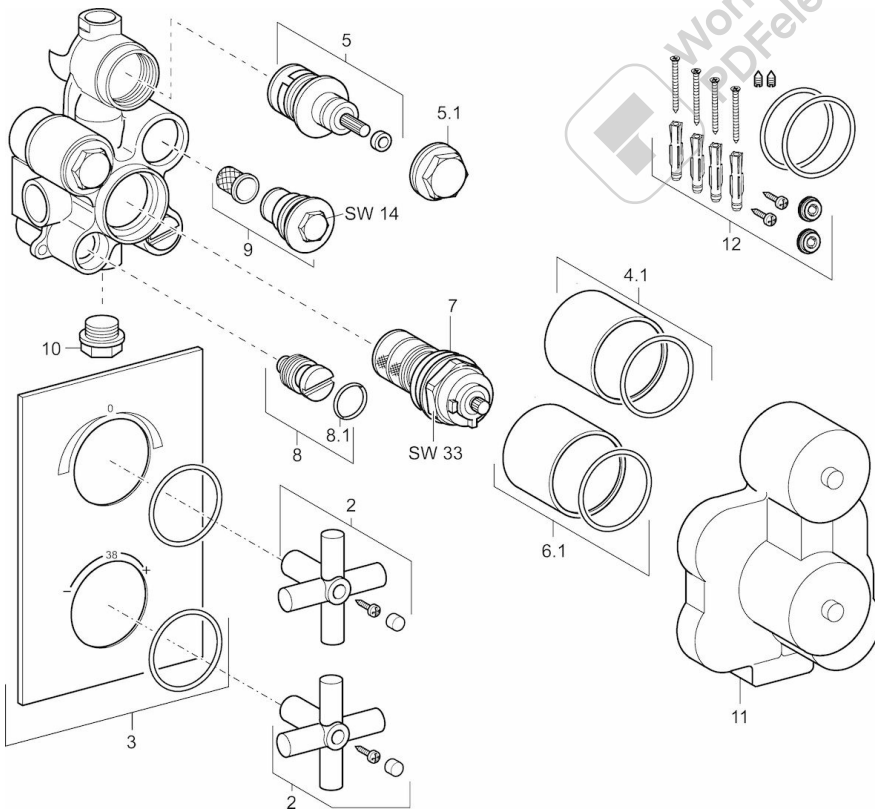
Technical properties

Hot water supply **max. +80°C**
 Working pressure **0.5-10 bar**
 Backflow prevention (EN1717) **EB**





Spare parts



SP08070102

Name	Code
2 Handle Discontinued	59913934
3 Cover plate	59913924
4.1 Outer spindle Discontinued	59913922
5 Headpart	59913929
5.1 Eye screw Discontinued	59913928
6.1 Outer spindle Discontinued	59913923
7 Thermostatic element, DN20	59913060
8 Shut-off valve Discontinued	59913931
9 Non-return valve	59913930
10 Plug, G1/2 Discontinued	59913932
12 Sealing kit	59913935