

EAN: 4015474277212
static.hansa.com/65159101



- Shower solutions
- Thermostatic
- Wall mounted
- Chrome
- Temperature control handle, Flow control handle
- Turn operated diverter, Integrated into flow control handle
- Hand shower, Shower rail, Overhead shower, Adjustable shower rail bracket, Soap dish, Shower hose (2000 mm), Eco flow control, Rotatable ball joint connection, Anti limescale technology (easy to clean)
- Normal - Even and soft water stream, Refreshing - Strong water stream, activates and refreshes body, Relaxing - Soft water stream, pleasant for entire body
- The housing of the fittings conducts minimal heat, Safety stop against scalding at 38°C
- Thermostatic cartridge for automatic temperature control, Fixing Set, Non-return valve(s), Litter filter(s)
- Eccentric coupling(s)
- Flexible length / can be shortened
- protected against back-flow in domestic use (according to DIN EN 1717)
- 3 spray functions

Technical data

Flow properties

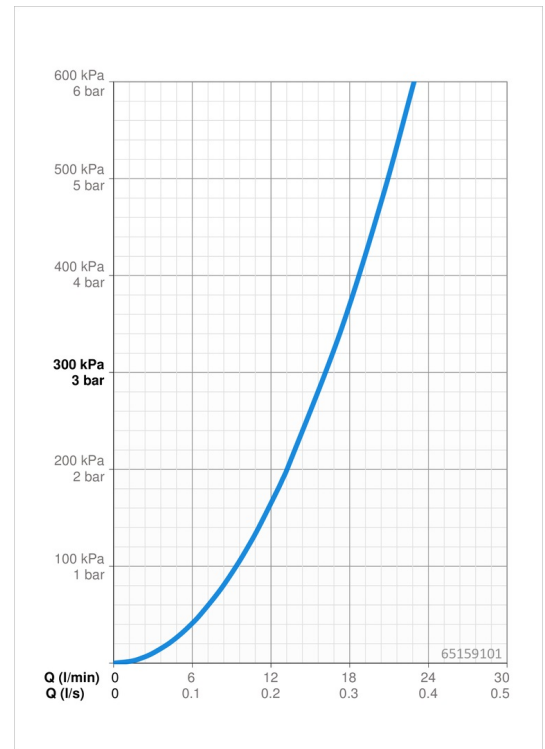
Flow-rate at 3 bar	16.2 l/min
Pressure loss with flow (0.2 l/s)	1.7 bar

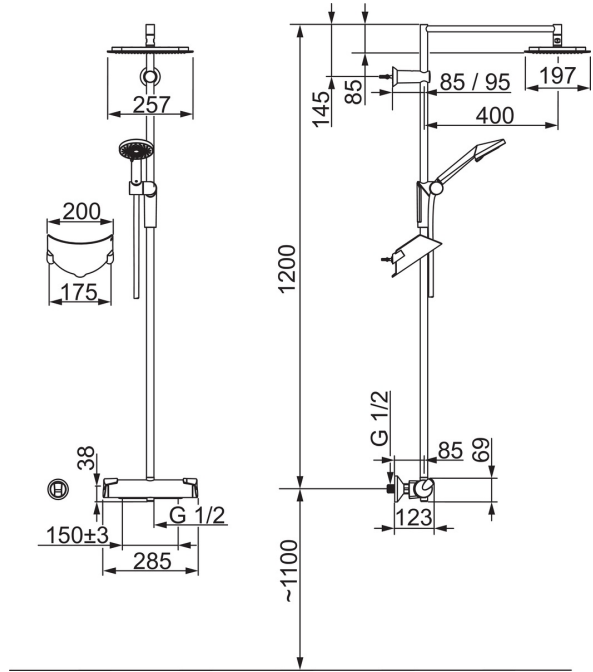
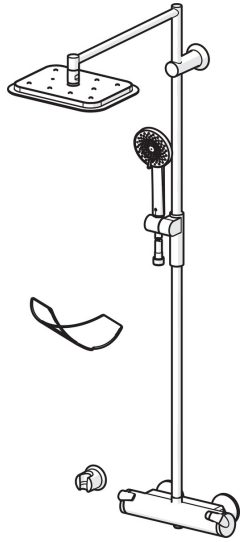
Technical properties

DN-size (nominal dimension)	DN15
Hot water supply	max. +65°C
Working pressure	1-10 bar
Connection size	G1/2
Installation width	cc150 ± 15 mm
Length / Height	1200 mm
Projection	485 mm
Backflow prevention (EN1717)	EB
Material	Brass/Plastic

Regulations

EN standard	EN 1111, EN 1112, EN 1113
-------------	----------------------------------





Spare parts



SP65159101

Name	Code
01 Flow control handle	59914115
02 Diverter and cartridge	59914116
03 Filter sealing, G3/4	59911076
04 Temperature control handle	59914112
05 Thermostatic cartridge, 3.4	59914114
06 Slide for shower rail	59914147
07 Shower pipe holder	59914628