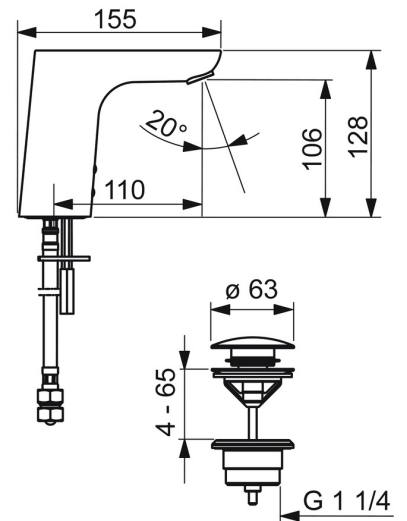
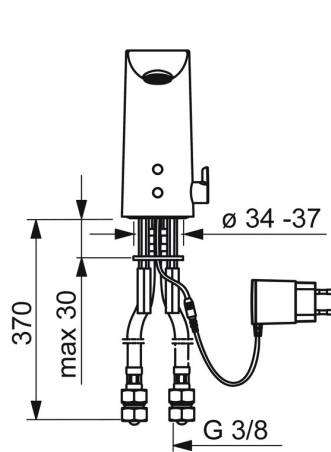
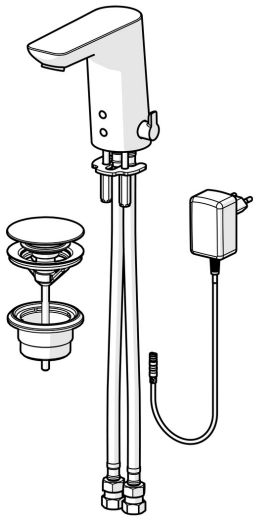


EAN: 4057304018954
static.hansa.com/64162009



- Washbasin
- Public & Semi-public
- Touchless, Plug transformer, Bluetooth®
- Deck mounted
- Chrome
- Fixed spout, Casted construction
- Hidden aerator, Aerated stream, PCA® - constant flow rate regardless of pressure variations
- Temperature control handle
- Push pop-up waste without draw-rod
- Adjustable hot water stop (included, retrofittable)
- Mixing valve for manual temperature control, Non-return valve(s), Litter filter(s)
- Autofocus infrared sensor, Solenoid valve, Power supply
- Flexible inlet pipes
- Software settings adjustable via App



Technical data

Flow properties

Flow-rate at 3 bar (with flow controller) **5.4 l/min**

Technical properties

DN-size (nominal dimension) **DN15**
 Hot water supply **max. +70°C**
 Working pressure **0.5-10 bar**
 Connection size **G3/8**
 Projection **110 mm**
 Backflow prevention (EN1717) **AA**
 Material **Brass**

Software settings

Afterflow period **3 s (1-20 s)**
 Automatic flush **off (off/1-120 h)**
 Automatic flush period **30 s (1-1800 s)**
 Max. flow period **2 min (1 - 1800 s)**

Electronic properties

Electrical Connection **230 / 9 V**
 Bluetooth version **4.x (D034445)**

Regulations

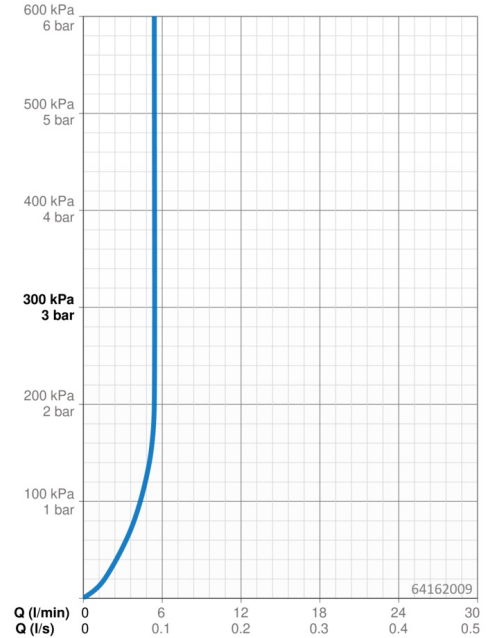
EU Directives **C € Radio Equipment Directive 2014/53/EU , Low Voltage Directive 2014/35/EU , EMC Directive 2014/30/EU , RoHS Directive 2011/65/EU**
 EN standard **EN 15091, ETSI EN 301 489-1 V1.9.2 , ETSI EN 300 328 v2.2.2 , EN 61000-6-1:2007 , EN 61000-6-3:2007+A1:2011+AC:2012 , EN 60335-1:2012+A11+A13+A14+A2+A15:2021, Part 19.11.4**
 Protection class **IP 55 / transformer IP 20**

Approvals and Declarations

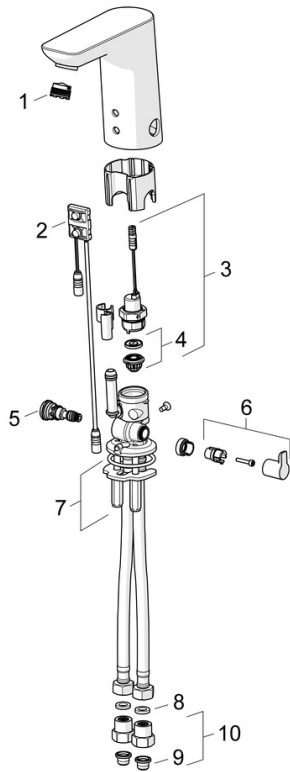
DVGW **CW-6514CR0161**
 EPD **S-P-06394**

Sustainability

EPD module A1 (kg CO2 eq.) **10,22**
 EPD module A2 (kg CO2 eq.) **0,47**
 EPD module A3 (kg CO2 eq.) **0,55**
 EPD module A1-A3 (kg CO2 eq.) **11,23**
 EPD module A4 (kg CO2 eq.) **0,41**
 EPD module B7 (kg CO2 eq.) **387,00**
 EPD module C2 (kg CO2 eq.) **0,02**
 EPD module C3 (kg CO2 eq.) **0,02**
 EPD module C4 (kg CO2 eq.) **0,31**
 EPD module D (kg CO2 eq.) **-8,19**



Spare parts



SP06142201

	Name	Code
01	Aerator, M18.5x1, Tj	59913366
02	Sensor, 12 V Discontinued	59914098
02	Sensor, 6/9/12 V, Bluetooth	59914567
03	Solenoid valve, 6 V	59914091
04	Membrane for solenoid valve	1006500V
04	Membrane support ring Discontinued	59914090
05	Temperature regulator	59914193
06	Temperature control handle	59914108
07	Fixing plates with nuts	59914132
08	Gasket, 8x14.3x2	59914087
09	Litter filters	59914085
10	One-way valve with litter screen	59914086
N.I.	Limiter	59914106