


Qty.	Description
1	<p data-bbox="199 338 427 365">GT-H-60 PN10 G1 V</p> <div data-bbox="296 392 488 703">  </div> <p data-bbox="592 683 1062 707">Note! Product picture may differ from actual product</p> <p data-bbox="199 716 464 741">Product No.: 96528341</p> <p data-bbox="199 775 1452 851">Grundfos GT-H-60 PN10 G1 V is a diaphragm pressure tank, with a capacity of 60.0 l and Vertical installation. The tanks are approved for drinking water. The GT-H-60 PN10 G1 V is designed for a maximum operation pressure of 10 bar and a maximum liquid temperature of 90 °C.</p> <p data-bbox="199 949 1415 1001">The tank is a steel pressure tank with a non-toxic butyl rubber diaphragm with a precision-moulded polypropylene liner for superior air and water separation.</p> <p data-bbox="199 1068 1458 1120">The diaphragm is a chlorine-resistant 100 % butyl diaphragm with a precision-moulded copolymer polypropylene liner for superior air and water separation.</p> <p data-bbox="199 1126 1445 1205">The tank has a FlowThru connection, which constantly flushes the tank while the pump is running. This ensures that the water in the tank remains fresh and eliminates the risk of stagnant water during normal system operation.</p> <p data-bbox="199 1272 1458 1323">The diaphragm is a chlorine-resistant 100 % butyl diaphragm with a precision-moulded copolymer polypropylene liner for superior air and water separation.</p> <p data-bbox="199 1330 1445 1408">The tank has a FlowThru connection, which constantly flushes the tank while the pump is running. This ensures that the water in the tank remains fresh and eliminates the risk of stagnant water during normal system operation.</p> <p data-bbox="199 1449 1294 1565">The tanks have a non-replaceable diaphragm that is pre-charged with nitrogen (1.5 bar). The tanks have a non-toxic butyl rubber diaphragm, dividing the tank chamber into two compartments. The upper compartment contains compressed nitrogen. The lower compartment has a liner of polypropylene (PP) and is filled with water from the pump.</p> <p data-bbox="199 1597 1439 1729">A pressure tank ensures controlled pressure in the water supply and thereby limits the switching frequency of the pump in case of low water consumption or leakage loss. The result is increased comfort in your installation by limiting the start/stop frequency of your pump, and it increases system comfort by compensating for pressure drops when a tap is opened, while reducing problems with water hammer in the pipework.</p> <p data-bbox="199 1800 628 1856">Liquid: Liquid max temp: 90 °C</p> <p data-bbox="199 1888 681 1944">Technical: Membrane type: diaphragm</p> <p data-bbox="199 1975 877 2031">Materials: Basic: Carbon steel / Polypropylene</p> <p data-bbox="199 2063 327 2089">Installation:</p>



Company name: Tengi ehf

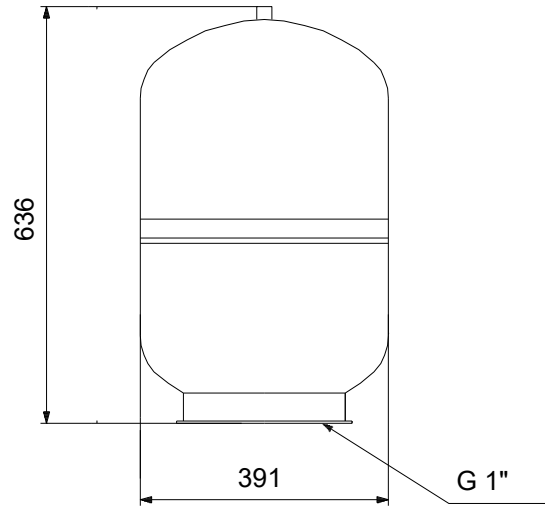
Created by:

Phone:

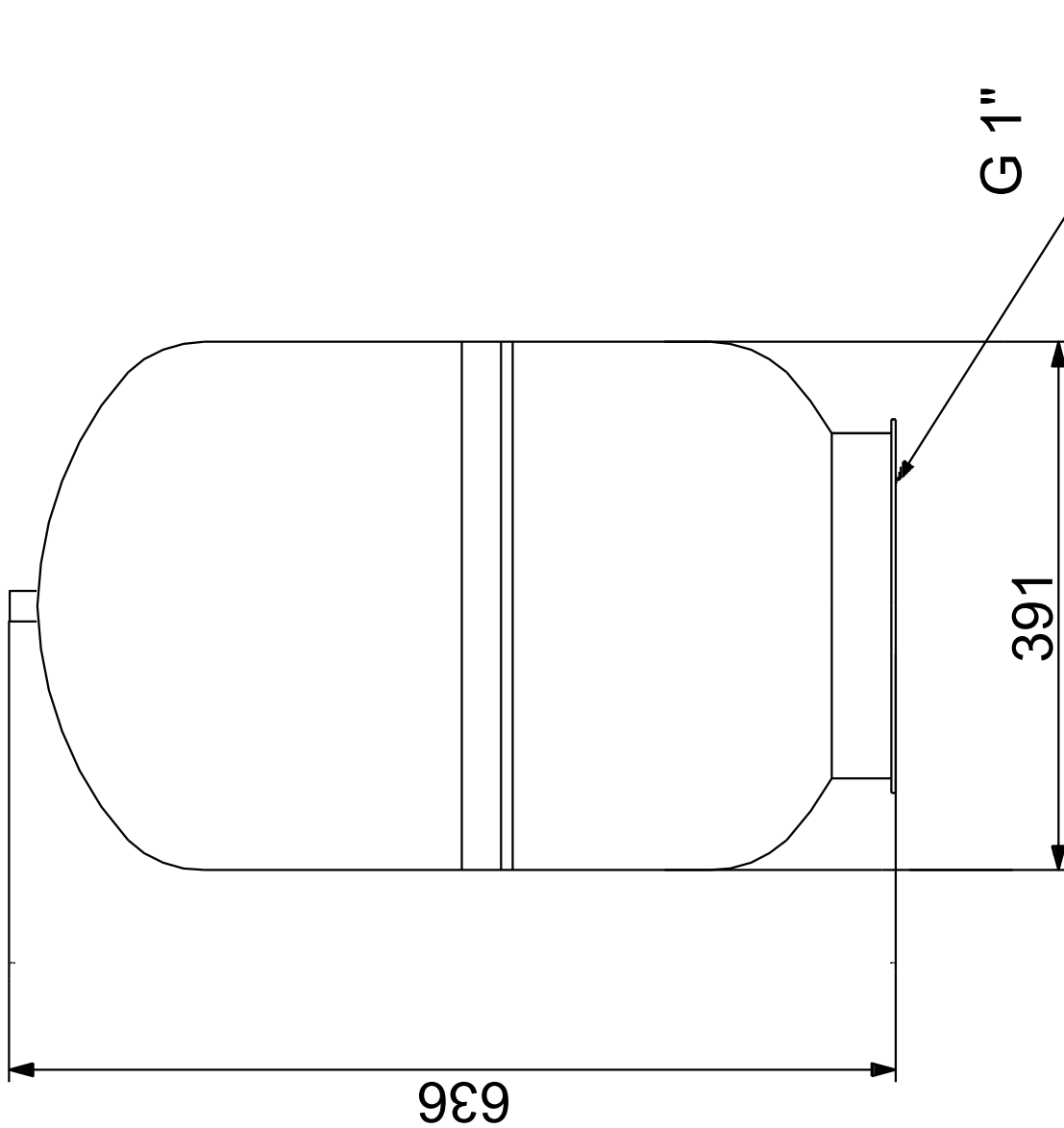
Date: 14/02/2022

Qty.	Description
	<p>Maximum operating pressure: 10 bar Type of connection: G Size of connection: 1 inch Size: 60.0</p> <p>Others:</p> <p>Net weight: 10.9 kg Gross weight: 12.4 kg Applicat. typ: Standard Danish VVS No.: 398254760 Finnish LVI No.: 3436650 Norwegian NRF no.: 8402814 Country of origin: TW Custom tariff no.: 84798997</p>

Description	Value
General information:	
Product name:	GT-H-60 PN10 G1 V
Product No:	96528341
EAN number:	5700397133422
Technical:	
Membrane type:	diaphragm
Materials:	
Basic:	Carbon steel / Polypropylene
Installation:	
Maximum operating pressure:	10 bar
Pre-pressure:	1.9 bar
Type of connection:	G
Size of connection:	1 inch
Installation:	Vertical
Size:	60.0
Liquid:	
Liquid max temp:	90 °C
Others:	
Net weight:	10.9 kg
Gross weight:	12.4 kg
Applicat. typ:	Standard
Danish VVS No.:	398254760
Finnish LVI No.:	3436650
Norwegian NRF no.:	8402814
Country of origin:	TW
Custom tariff no.:	84798997



96528341 GT-H-60 PN10 G1 V



Note! All units are in [mm] unless others are stated.
Disclaimer: This simplified dimensional drawing does not show all details.