

Data Sheet

Danfoss Icon2™ Main Controller

Description



Danfoss Icon2™ Main Controller is used for floor heating and cooling systems for individual room control.

It can be configured as a wired or wireless system or as a combination, if required.

The center of the system is the Danfoss Icon2™ Main Controller, which configures and ties the system together.

Installation and set-up of the Danfoss Icon2™ Main Controller is made easy by using the pre-defined application and intuitive commissioning App.

The system offer following features (some require Advanced version.):

- Automatic balancing (PWM+), which ensure that the hydraulic balancing of the system is done by the master controller based on the actual room demand.
- Requires no pre-setting on the manifold.
- On/Off control possibility.
- NC/NO actuator functionality.
- Cooling change over (Basic version only support 2 pipe systems).

- Supports 2, 3 or 4 pipe applications in various configurations (3 and 4 pipes systems require Advanced version).
- Flow temperature control (require Advanced version), can be set to either a fixed temperature or demand based flow temperature control.
- 230 V power output with protected earth for circulation pump.
- 230 V power output (for e.g. always on).
- Heat demand signal output (for e.g. potential free relay).
- Wireless 2,4 GHz.
- Powerline communication (for 24V wired thermostats).
- Possibility to combine wired and wireless thermostats in same installation.
- APP functionality, for iOS and Android devices (require Ally™ GW or compatible Zigbee gateway).

Ordering

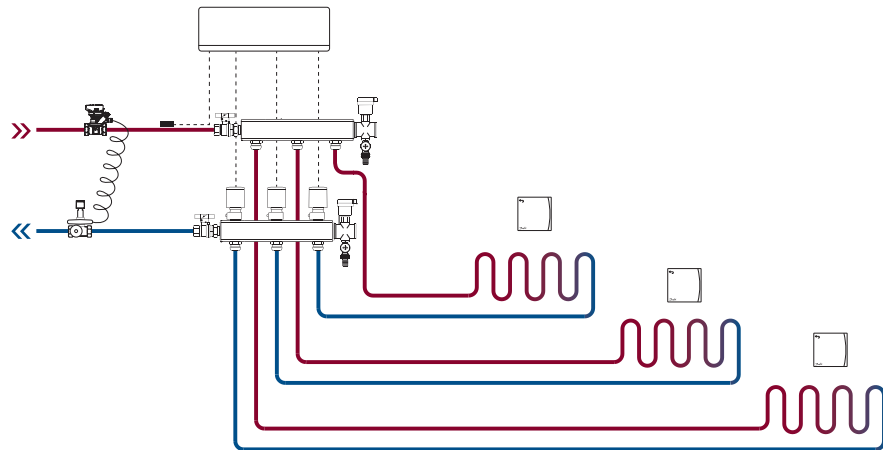
Product	Code number
Danfoss Icon2™ Main Controller, Basic , EU	088U2100
Danfoss Icon2™ Main Controller, Basic , CH	088U2101
Danfoss Icon2™ Main Controller, Basic , NP	088U2102
Danfoss Icon2™ Main Controller, Advanced , EU	088U2110
Danfoss Icon2™ Main Controller, Advanced , CH	088U2111
Danfoss Icon2™ Main Controller, Advanced , NP	088U2112

Accessories

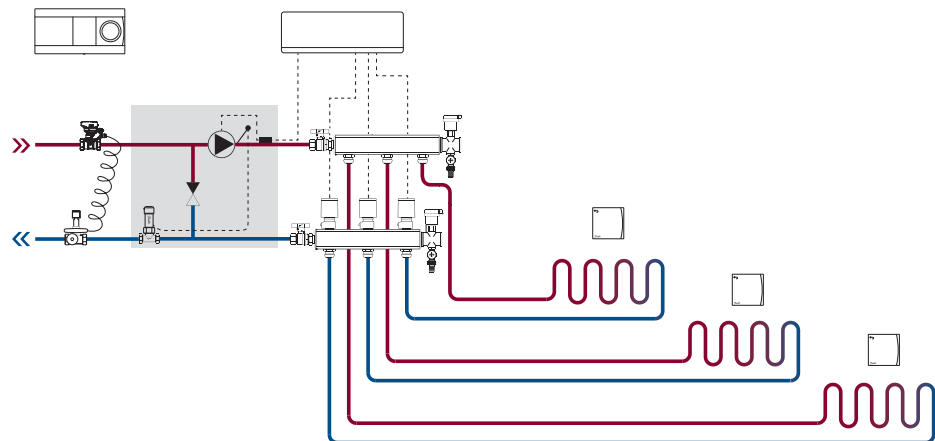
Product	Code number
Danfoss Zigbee Repeater	088U1131
Icon2™ 24V conversion module	088U2140
External antenna	088U2141

Application drawings

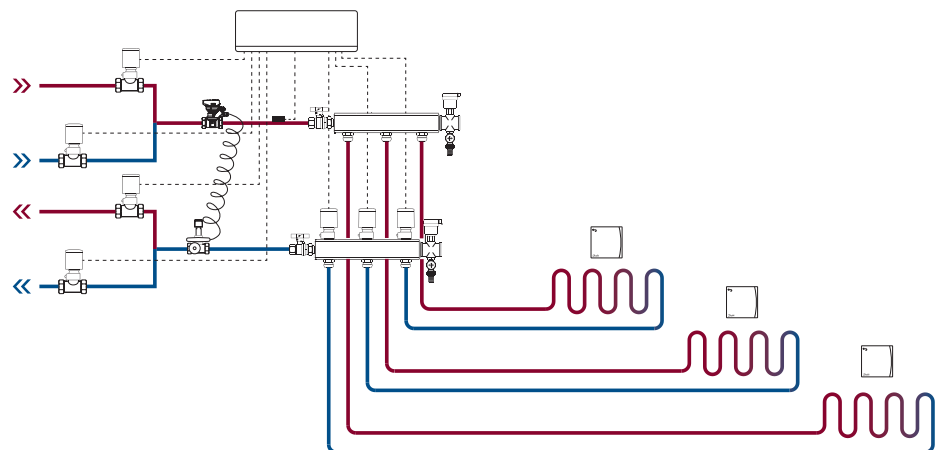
Example 1: 2-pipe system (optional cooling)



Example 2: 2-pipe system with mixing shunt (optional supply temperature control)



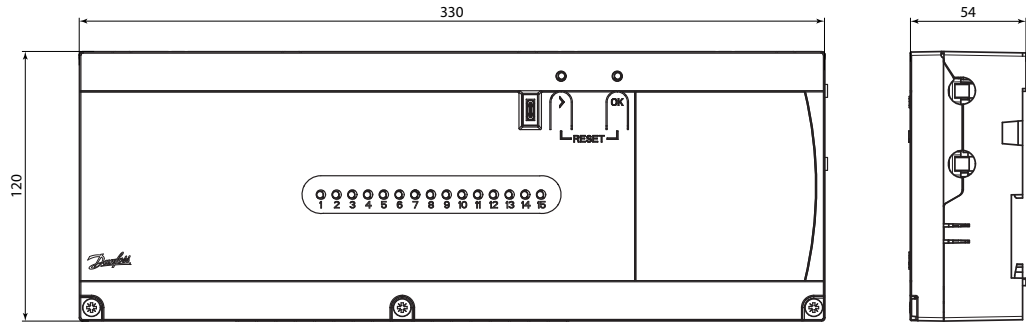
Example 3: 4-pipe cooling



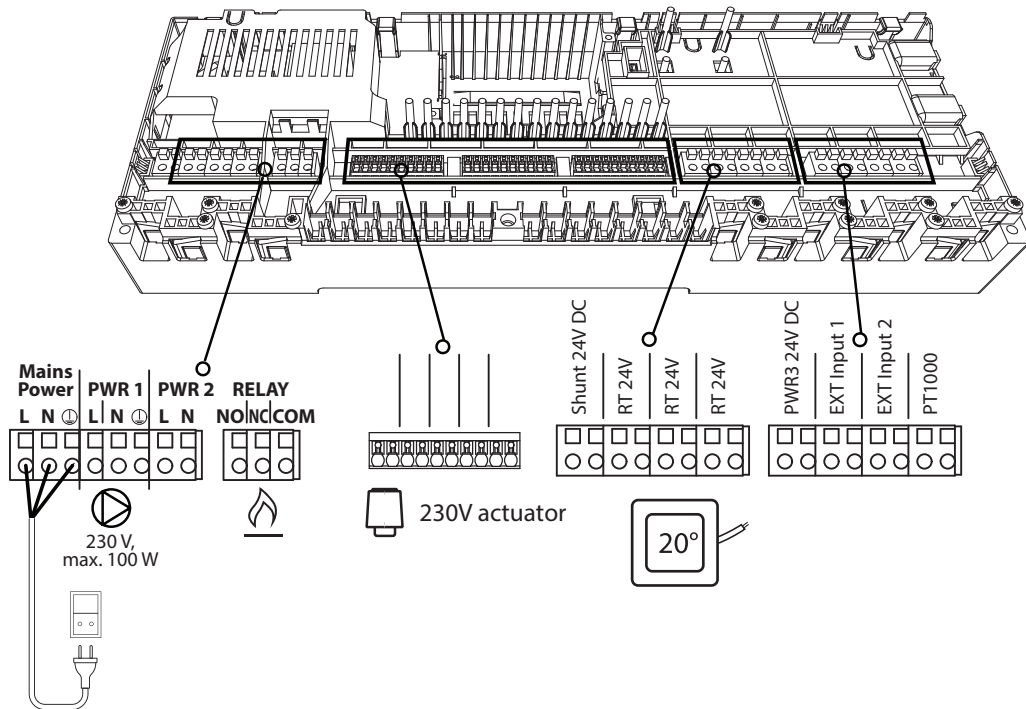
Technical data

Temperature for the ball pressure test	75 °C
Control pollution degree	Degree 2, normal household environment
Software class	Class A
Rated impulse voltage	4 kV
Operating time	Permanently connected
Temperature range, storage and transportation	-20 °C to +65 °C
Disposal instructions	The product must be disposed as electronic waste
Supply voltage	220-240 V AC
Supply frequency	50/60 Hz
Output voltage, actuators	230 V (24 V with conversion module installed)
Max. power consumption per actuator output	2 W
Number of actuator outputs (1 actuator per output terminal)	15
Output voltage, thermostats	24 V DC
Stand-by consumption per thermostat	0,2 W
Max. number of thermostats	15
Max. length of wire from master controller to a 24 V thermostat (depends on cable type used)	If 2 × 2 × 0,6 mm ² STP/UTP: 100 m If 2 × 0,5 mm ² : 150 m If > 2 × 0,75 mm ² : 200 m
Stand-by consumption, Master Controller	230 V actuators: < 2 W 24 V actuators: < 5 W
Max. power consumption, excluding use of PWR 1 and PWR 2 outputs	< 50 W
Internal protection (fuse, replacable)	2 A
Output "Relay"	Voltage free relay, Max. 2 A load
Actuator outputs, type	Type 1C (Micro interruption)
Output "PWR1", type and rated max. output	Type 1B (Micro disconnection), max. 100 W
Output "PWR2", type and rated max. output	Type: Permanent output, 230 V, max. 50 W
Output 24 V out	24 V DC, max. 1 W
Output "PWR3" 24 V out	24 V DC max. 2 W
Input "IN1"	Ext. switch input (internal 24 V pull-up)
Input "IN2"	Ext. switch input (internal 24 V pull-up)
Input "IN3", sensor input	External sensor, PT 1000 (Danfoss ESM 11)
Dimensions	W: 330 mm, H: 120 mm, D: 54 mm
Conformity declared acc. to following directives	LVD, RED, RoHS and WEEE
Purpose of control	Individual electronic room temperature control
Method of providing earthing	Factory fitted power cord, incl. PE-conductor
Encapsulation (IP Class)	IP 20
Protection class	Class II Construction with earthing terminal
Ambient temperature range, continuous use	0 °C to 50 °C
Frequency	2,4 GHz
Transmission power	< 2,5 mW

Drawings



Danfoss Icon2™ Main Controller



Danfoss A/S

Climate Solutions • danfoss.com • +45 7488 2222

Any information, including, but not limited to information on selection of product, its application or use, product design, weight, dimensions, capacity or any other technical data in product manuals, catalogues descriptions, advertisements, etc. and whether made available in writing, orally, electronically, online or via download, shall be considered informative, and is only binding if and to the extent, explicit reference is made in a quotation or order confirmation. Danfoss cannot accept any responsibility for possible errors in catalogues, brochures, videos and other material. Danfoss reserves the right to alter its products without notice. This also applies to products ordered but not delivered provided that such alterations can be made without changes to form, fit or function of the product.

All trademarks in this material are property of Danfoss A/S or Danfoss group companies. Danfoss and the Danfoss logo are trademarks of Danfoss A/S. All rights reserved.