

Qty. Description

1 ALPHA2 25-60 130



Note! Product picture may differ from actual product

Product No.: On request

High efficiency canned-rotor circulator, designed for circulating liquids in heating systems. With a world-class energy efficiency index (EEI) well below the ErP benchmark it ensures substantial energy savings.

Features

- AUTOADAPT which provides the ultimate comfort levels with the lowest possible energy consumption and makes the commissioning safe and easy
 - Night-setback function which saves energy
 - Manual Summer mode saves energy during summertime and ensure safe start in the heating season
 - Intuitive one-button operation makes selection of any control mode simple
 - No external motor protection required reducing installation time
 - High-torque start improves startup under harsh conditions
 - Maintenance free due to canned-rotor design and use of robust components
 - ALPHA plug makes electrical installation quick and easy
 - Insulating shells are supplied with pumps to minimize heat loss in heating systems
- Hydronic balancing by temporary use of the ALPHA Reader and the Grundfos GO Balance App enables the installer to perform fast and easy hydronic balancing

When using the ALPHA2 with two other components the ALPHA Reader and the Grundfos GO Balance app, it enables the installers to perform fast and easy hydronic balancing - without compromising on reliability, efficiency and easy installation.

The AUTOADAPT function continuously adjusts the pump performance to the actual heat demand, i.e. the size of the system and the changing heat demand during the year. The function will find the setting that provides optimal comfort with minimal energy consumption. It contributes to fast, safe and easy commissioning.

In addition, the pump also features three control modes - each with three settings

- proportional-pressure control
- constant-pressure control
- constant-curve mode

The display shows the actual power consumption in Watts or actual flow in m3/h as well as alarms and warnings. LEDs indicate the actual operating status.

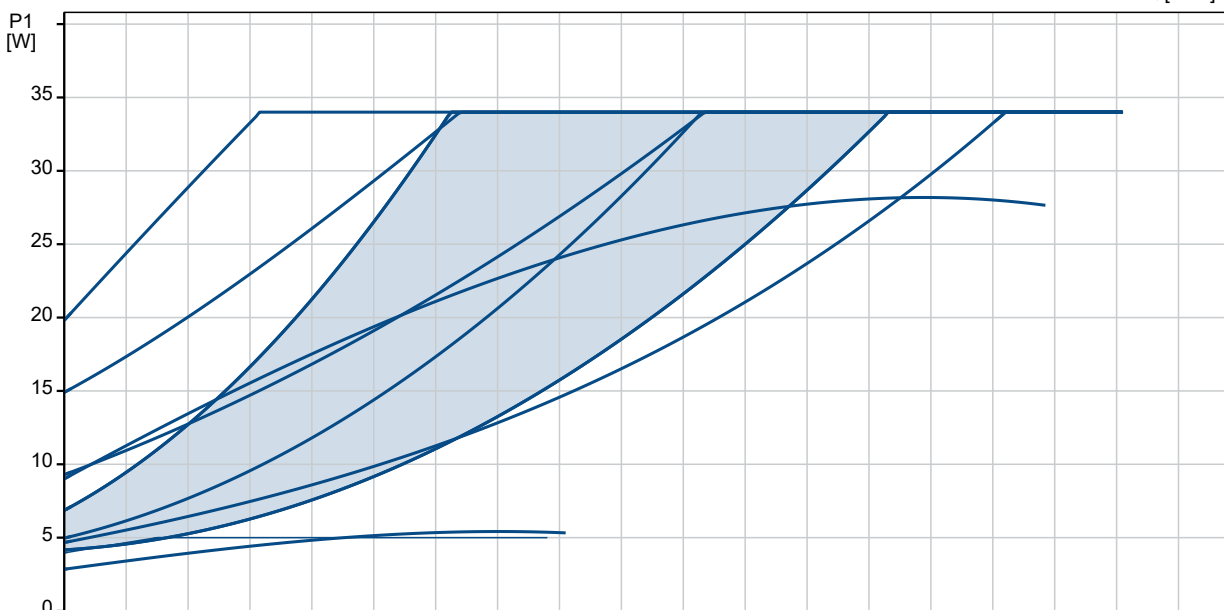
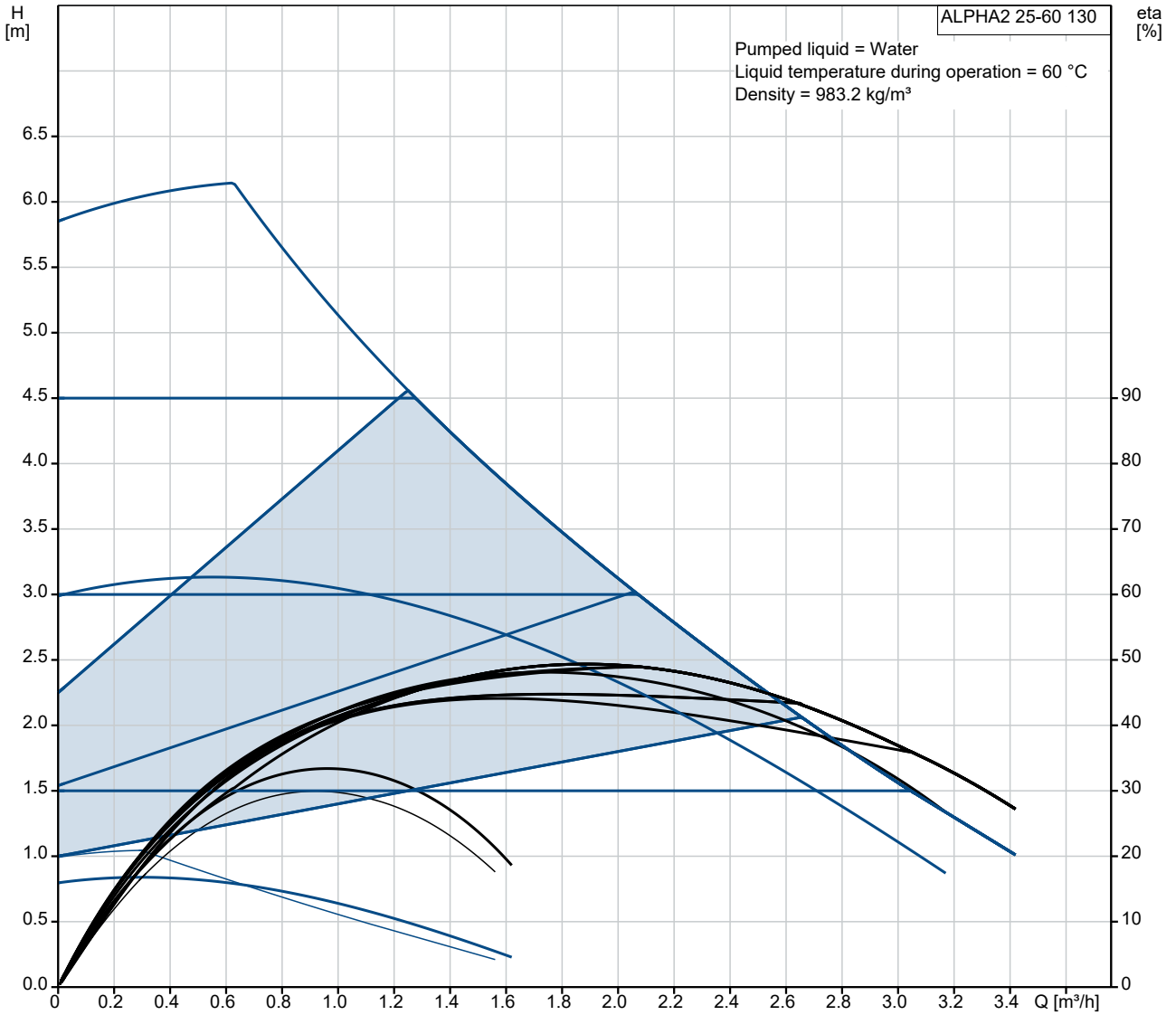
The night-setback function, when enabled automatically reduces the motor speed to save energy. The changeover depends on a change in the flow-pipe temperature.

Manual summer mode; once enabled, the pump is automatically started frequently at low speed to avoid blocking the rotor. At the same time, it saves energy.

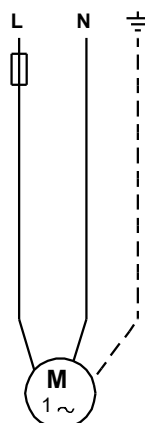
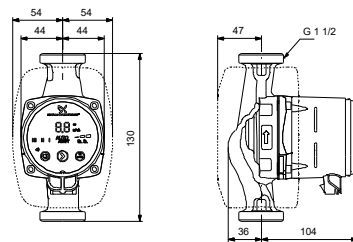
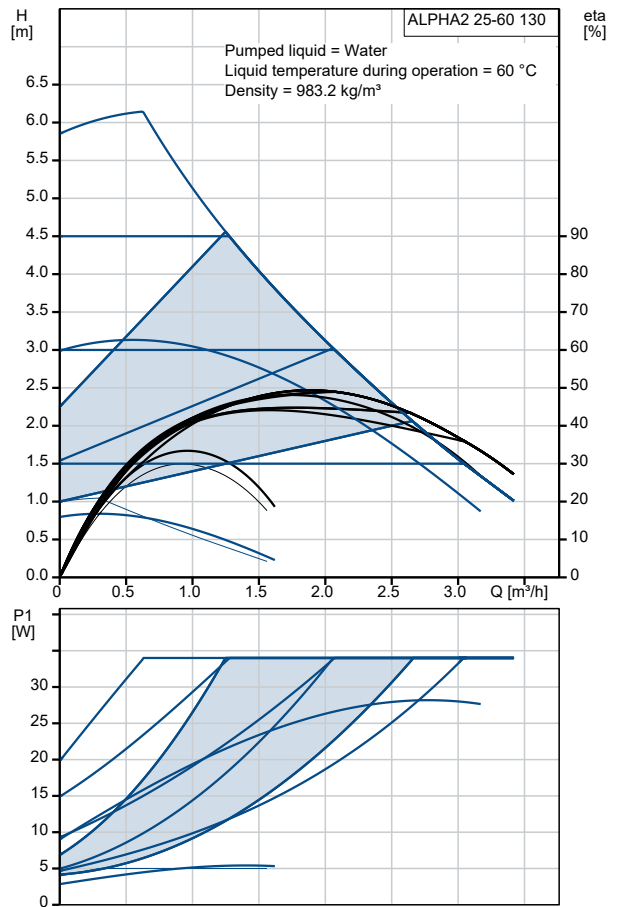
The pump is of the canned-rotor type, which means that the pump and motor form an integral unit. The bearings are lubricated by the pumped liquid ensuring maintenance-free operation. The pump features dry-running protection.

Qty.	Description
	<p>The pump has a ceramic shaft and radial bearings, carbon thrust bearing, stainless-steel rotor can, bearing plate and rotor cladding, composite impeller, all of which contribute to long life.</p> <p>The pump is self-venting through the system, which contributes to easy commissioning. The compact design featuring pump head with integrated control box and control panel fits into most common installations.</p> <p>The pump housing is made of cast iron and electrocoated to improve the corrosion resistance.</p> <p>The motor is a synchronous permanent-magnet/compact-stator motor characterized by high efficiency. The pump speed is controlled by an integrated frequency converter incorporated in the control box.</p> <p>Liquid:</p> <p>Pumped liquid: Water</p> <p>Liquid temperature range: 2 .. 110 °C</p> <p>Selected liquid temperature: 60 °C</p> <p>Density: 983.2 kg/m³</p> <p>Technical:</p> <p>TF class: 110</p> <p>Approvals on nameplate: CE,VDE,EAC,RCM</p> <p>Materials:</p> <p>Pump housing: Cast iron EN-GJL-150 ASTM A48-150B</p> <p>Impeller: PES 30%GF</p> <p>Installation:</p> <p>Range of ambient temperature: 0 .. 40 °C</p> <p>Maximum operating pressure: 10 bar</p> <p>Pipe connection: G 1 1/2</p> <p>Pressure rating: PN 10</p> <p>Port-to-port length: 130 mm</p> <p>Electrical data:</p> <p>Power input - P1: 3 .. 34 W</p> <p>Mains frequency: 50 / 60 Hz</p> <p>Rated voltage: 1 x 230 V</p> <p>Maximum current consumption: 0.04 .. 0.32 A</p> <p>Enclosure class (IEC 34-5): X4D</p> <p>Insulation class (IEC 85): F</p> <p>Others:</p> <p>Energy (EEI): 0.17</p> <p>Net weight: 1.89 kg</p> <p>Gross weight: 2.04 kg</p> <p>Shipping volume: 0.004 m³</p> <p>Danish VVS No.: 380473160</p> <p>Swedish RSK No.: 5758777</p> <p>Finnish LVI No.: 4615338</p> <p>Norwegian NRF no.: 9043146</p> <p>Country of origin: DK</p> <p>Custom tariff no.: 84137030</p>

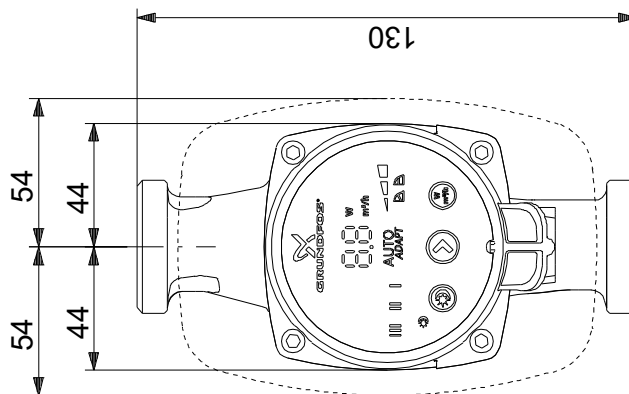
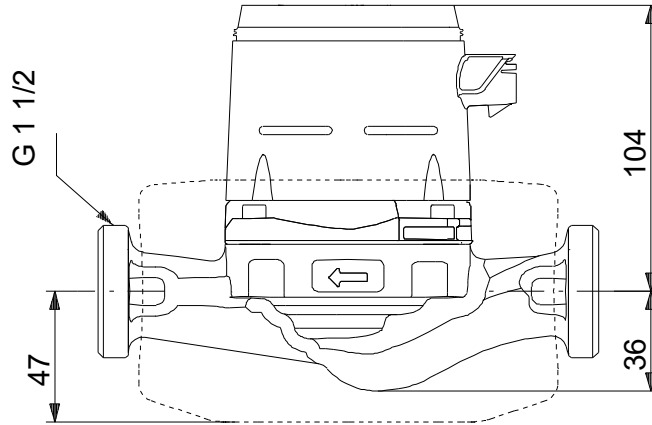
On request ALPHA2 25-60 130



Description	Value
General information:	
Product name:	ALPHA2 25-60 130
Product No:	On request
EAN number:	On request
Technical:	
Head max:	60 dm
TF class:	110
Approvals on nameplate:	CE,VDE,EAC,RCM
Model:	E
Materials:	
Pump housing:	Cast iron
Pump housing:	EN-GJL-150
Pump housing:	ASTM A48-150B
Impeller:	PES 30%GF
Installation:	
Range of ambient temperature:	0 .. 40 °C
Maximum operating pressure:	10 bar
Pipe connection:	G 1 1/2
Pressure rating:	PN 10
Port-to-port length:	130 mm
Liquid:	
Pumped liquid:	Water
Liquid temperature range:	2 .. 110 °C
Selected liquid temperature:	60 °C
Density:	983.2 kg/m ³
Electrical data:	
Power input - P1:	3 .. 34 W
Mains frequency:	50 / 60 Hz
Rated voltage:	1 x 230 V
Maximum current consumption:	0.04 .. 0.32 A
Enclosure class (IEC 34-5):	X4D
Insulation class (IEC 85):	F
Built-in motor protection:	NONE
Thermal protec:	ELEC
Controls:	
Aut. night:	automatic reduced night-time duty included
Pos term box:	6H
Others:	
Energy (EEI):	0.17
Net weight:	1.89 kg
Gross weight:	2.04 kg
Shipping volume:	0.004 m ³
Danish VVS No.:	380473160
Swedish RSK No.:	5758777
Finnish LVI No.:	4615338
Norwegian NRF no.:	9043146
Country of origin:	DK
Custom tariff no.:	84137030

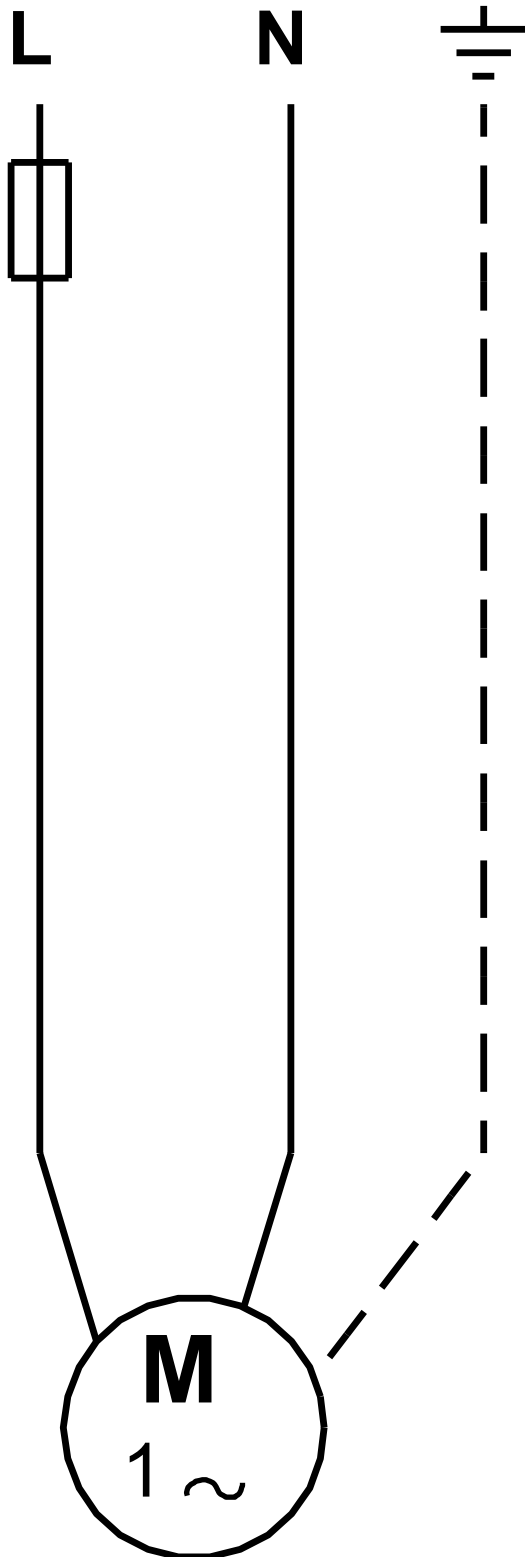


On request ALPHA2 25-60 130



Note! All units are in [mm] unless others are stated.
Disclaimer: This simplified dimensional drawing does not show all details.

On request ALPHA2 25-60 130



Note! All units are in [mm] unless others are stated.