

Qty. Description

1 **Unilift AP50B.50.15.3.V**



Note! Product picture may differ from actual product

Product No.: On request
Submersible effluent pump

Vertical single-stage stainless steel submersible pump with integrated submersible 3-phase motor.

The pump is fitted with ring stand and carrying handle and is supplied with a 10 m mains cable.

The impeller is a V impeller for 50 mm free passage suitable for pumping surface water, groundwater, wastewater and similar.

The pump has a double shaft seal and an intermediate oil chamber pre-filled with non-toxic special oil.

The motor is insulation class F and has long-life deep-groove greased-for-life ball bearings.

The pump has R 2" discharge port and is ready for installation either free-standing or on an auto-coupling system.

Liquid:
Pumped liquid: Any Newtonian liquid
Liquid max temp: 40 °C
Density: 998.2 kg/m³

Technical:
Type of impeller: V
Maximum particle size: 50 mm
Approvals: CE,VDE,EAC,RCM,LGABG,MORO,UKCA

Materials:
Pump housing: Stainless steel
DIN W.-Nr. 1.4301
AISI 304
Impeller: Stainless steel
DIN W.-Nr. 1.4301
AISI 304

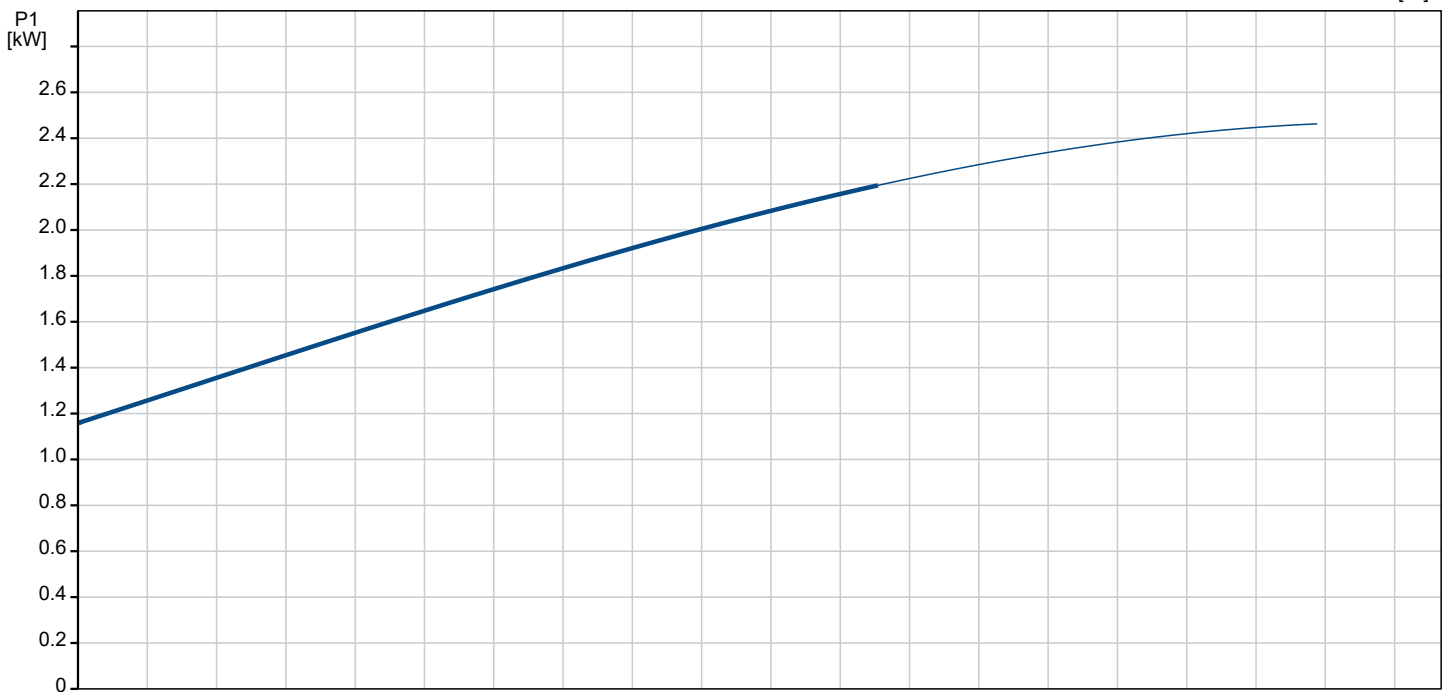
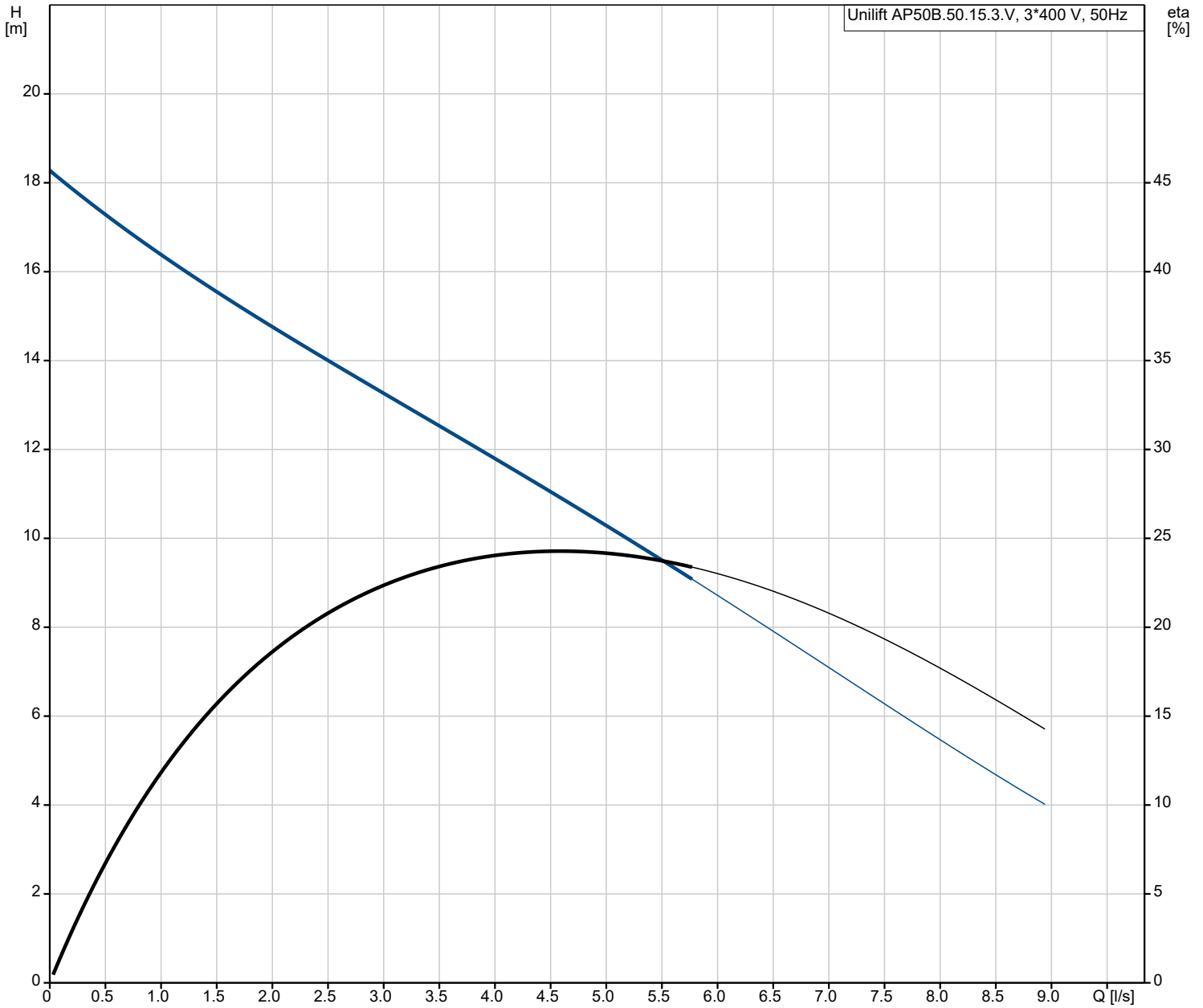
Installation:
Range of ambient temperature: 0 .. 40 °C
Pump outlet: R 2"
Maximum installation depth: 7 m
Auto-coupling: Y

Electrical data:
Power input - P1: 2.15 kW
Mains frequency: 50 Hz

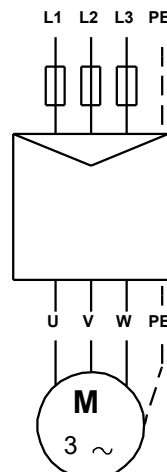
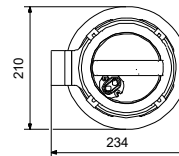
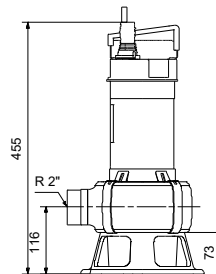
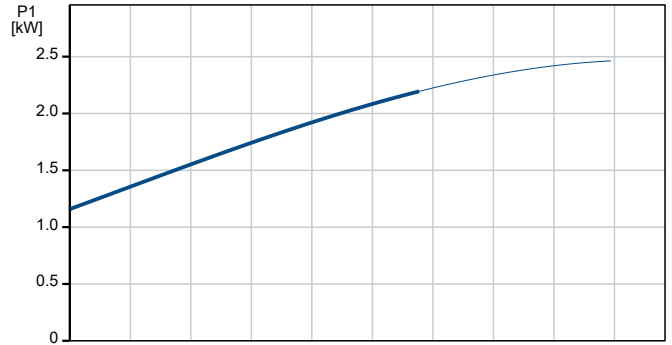
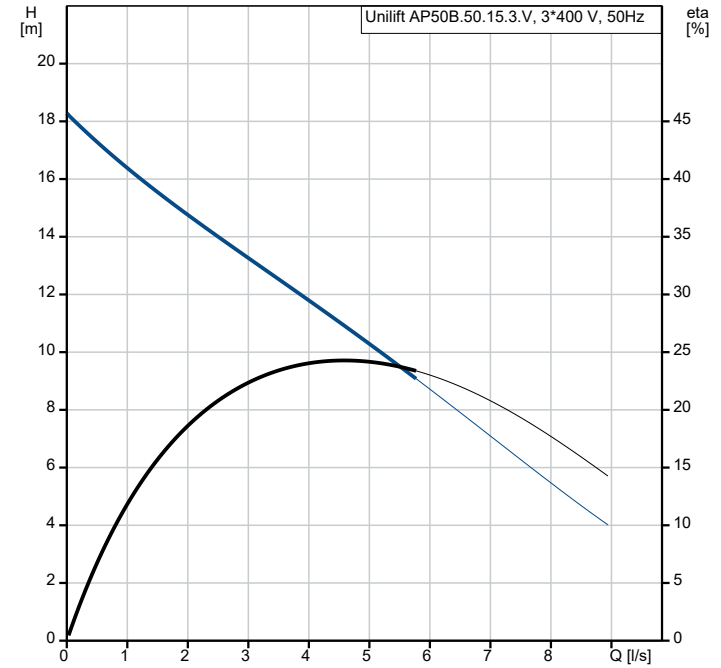
Qty.	Description
------	-------------

Rated voltage:	3 x 400 V
Rated current:	3.7 A
Cos phi - power factor:	0.85
Rated speed:	2785 rpm
Enclosure class (IEC 34-5):	IP68
Insulation class (IEC 85):	F
Length of cable:	10 m
Type of cable plug:	NONE
Others:	
Net weight:	12.7 kg
Gross weight:	14.6 kg
Danish VVS No.:	391273162
Swedish RSK No.:	5880141
Country of origin:	HU
Custom tariff no.:	84137021

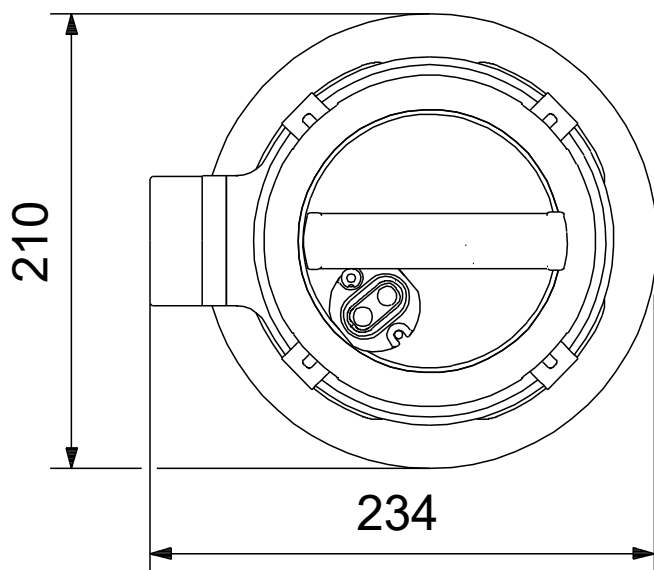
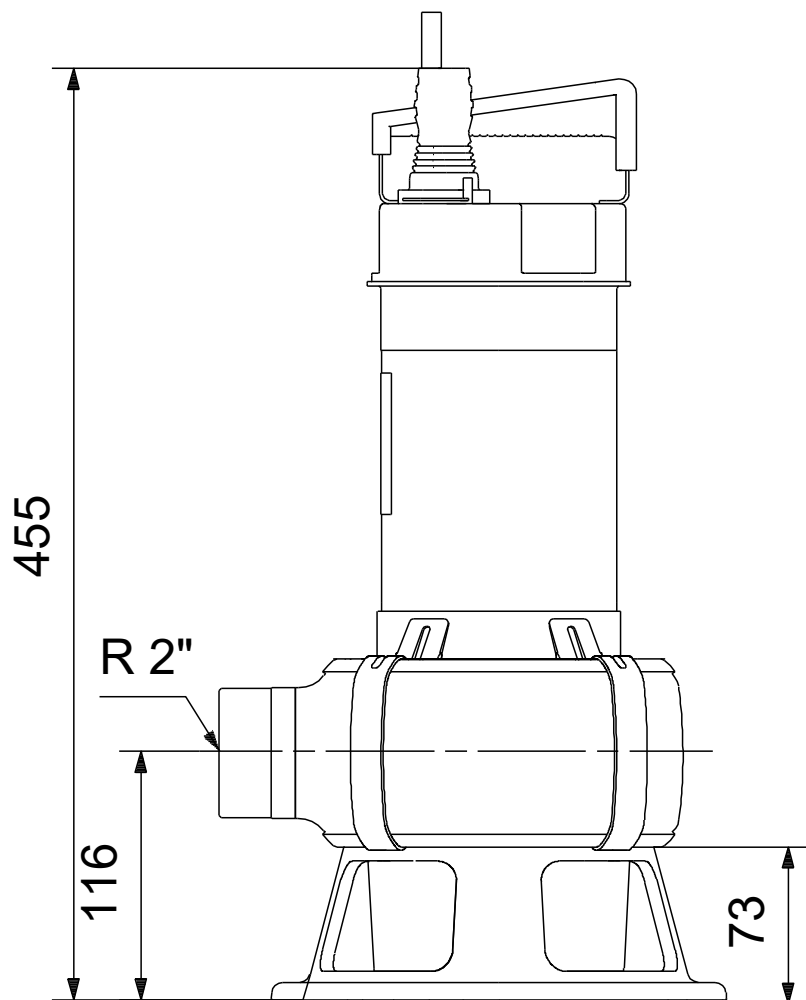
On request Unilift AP50B.50.15.3.V 50 Hz



Description	Value
General information:	
Product name:	Unilift AP50B.50.15.3.V
Product No:	On request
EAN number:	On request
Technical:	
Max flow:	8.61 l/s
Max flow:	8.61 l/s
Head max:	17 m
Type of impeller:	V
Maximum particle size:	50 mm
Approvals:	CE,VDE,EAC,RCM,LGABG,MORO,UK CA
Materials:	
Pump housing:	Stainless steel
Pump housing:	DIN W.-Nr. 1.4301
Pump housing:	AISI 304
Impeller:	Stainless steel
Impeller:	DIN W.-Nr. 1.4301
Impeller:	AISI 304
Installation:	
Range of ambient temperature:	0 .. 40 °C
Pump outlet:	R 2"
Maximum installation depth:	7 m
Inst dry/wet:	S
Installation:	horizontal or vertical
Auto-coupling:	Y
Liquid:	
Pumped liquid:	Any Newtonian liquid
Liquid max temp:	40 °C
Density:	998.2 kg/m ³
Electrical data:	
Power input - P1:	2.15 kW
P2:	1.5 kW
Mains frequency:	50 Hz
Rated voltage:	3 x 400 V
Rated current:	3.7 A
Cos phi - power factor:	0.85
Rated speed:	2785 rpm
Enclosure class (IEC 34-5):	IP68
Insulation class (IEC 85):	F
Built-in motor protection:	NONE
Thermal protec:	external
Length of cable:	10 m
Type of cable plug:	NONE
Others:	
Net weight:	12.7 kg
Gross weight:	14.6 kg
Danish VVS No.:	391273162
Swedish RSK No.:	5880141
Country of origin:	HU
Custom tariff no.:	84137021



On request Unilift AP50B.50.15.3.V 50 Hz



On request Unilift AP50B.50.15.3.V 50 Hz

