
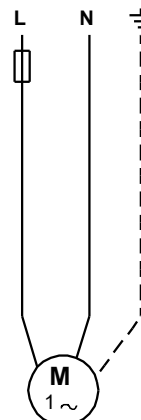
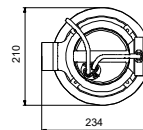
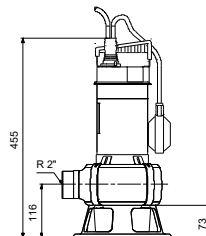
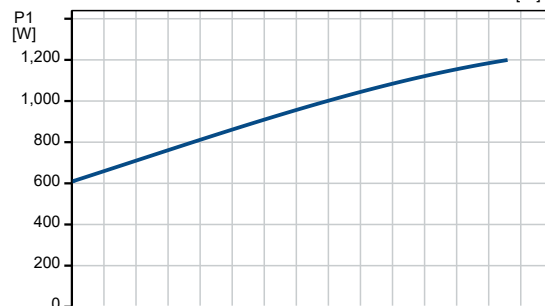
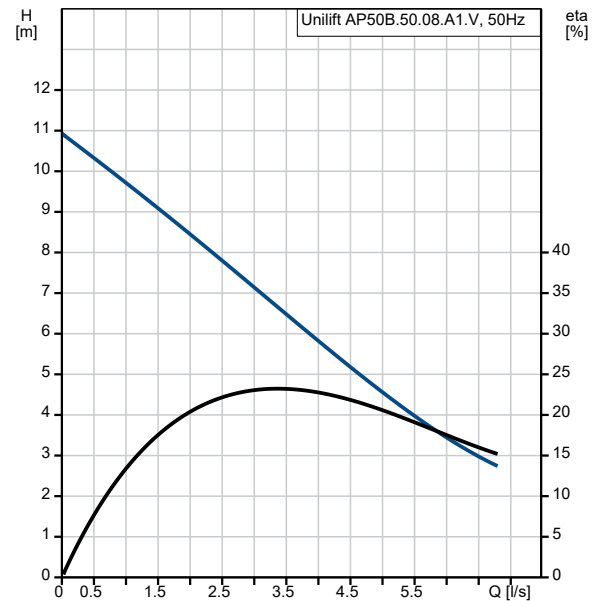


Qty.	Description
1	<p data-bbox="199 338 486 369">Unilift AP50B.50.08.A1.V</p>  <p data-bbox="590 683 1061 712" style="text-align: center;">Note! Product picture may differ from actual product</p> <p data-bbox="199 716 486 772">Product No.: On request Submersible effluent pump</p> <p data-bbox="199 801 718 891">Vertical single-stage stainless steel submersible pump with integrated submersible 1-phase motor.</p> <p data-bbox="199 922 694 1041">The pump is fitted with ring stand and carrying handle and is supplied with a 10 m mains cable and a level switch for automatic start and stop.</p> <p data-bbox="199 1072 678 1191">The impeller is a V impeller for 50 mm free passage suitable for pumping surface water, groundwater, wastewater and similar.</p> <p data-bbox="199 1223 726 1312">The pump has a double shaft seal and an intermediate oil chamber pre-filled with non-toxic special oil.</p> <p data-bbox="199 1344 734 1433">The motor is insulation class F with thermal overload protection and has long-life deep-groove greased-for-life ball bearings.</p> <p data-bbox="199 1464 662 1554">The pump has R 2" discharge port and is ready for installation either free-standing or on an auto-coupling system.</p> <p data-bbox="199 1585 790 1697"> Liquid: Pumped liquid: Any Newtonian liquid Liquid max temp: 40 °C Density: 998.2 kg/m³ </p> <p data-bbox="199 1729 1021 1848"> Technical: Type of impeller: V Maximum particle size: 50 mm Approvals: CE,VDE,EAC,RCM,LGABG,MORO,UKCA </p> <p data-bbox="199 1879 766 1998"> Materials: Pump housing: Stainless steel DIN W.-Nr. 1.4301 AISI 304 </p> <p data-bbox="199 2007 766 2096"> Impeller: Stainless steel DIN W.-Nr. 1.4301 AISI 304 </p>

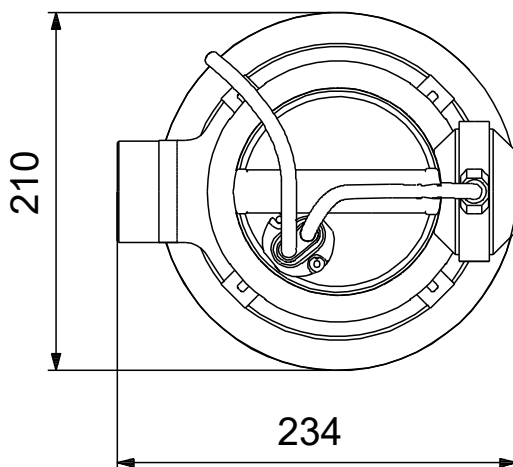
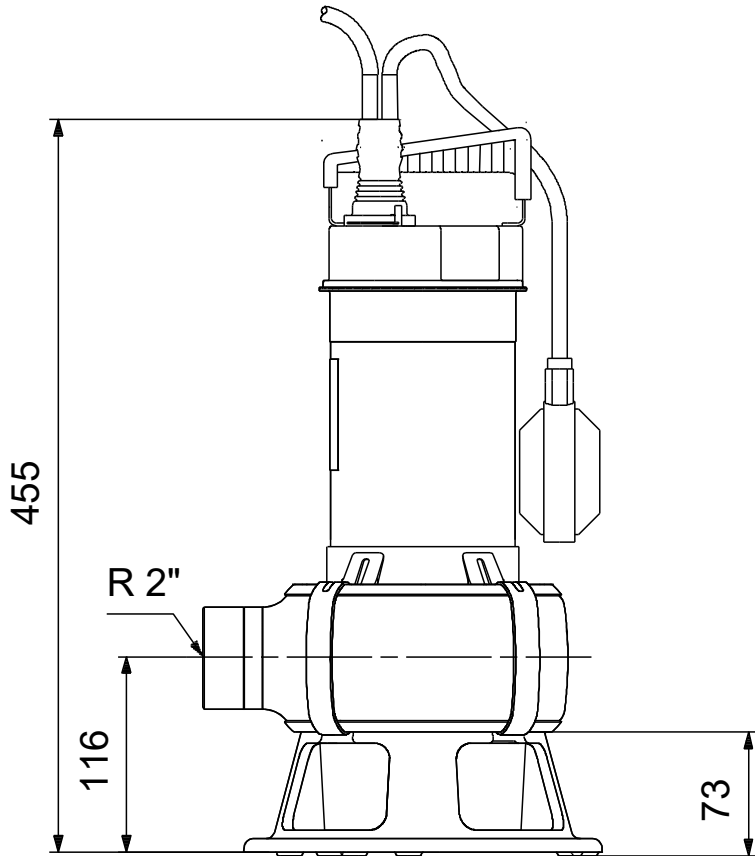
Qty.	Description
------	-------------

Installation:	
Range of ambient temperature:	0 .. 40 °C
Pump outlet:	R 2"
Maximum installation depth:	7 m
Auto-coupling:	Y
Electrical data:	
Motor type 1-phase:	PSC
Power input - P1:	1.2 kW
Mains frequency:	50 Hz
Rated voltage:	1 x 230 V
Rated current:	5.37 A
Cos phi - power factor:	0.97
Rated speed:	2790 rpm
Capacitor size - run:	16 µF/400 V
Enclosure class (IEC 34-5):	IP68
Insulation class (IEC 85):	F
Length of cable:	10 m
Type of cable plug:	SCHUKO
Others:	
Net weight:	11.6 kg
Gross weight:	12.9 kg
Danish VVS No.:	391272322
Swedish RSK No.:	5886036
Country of origin:	HU
Custom tariff no.:	84137021

Description	Value
General information:	
Product name:	Unilift AP50B.50.08.A1.V
Product No:	On request
EAN number:	On request
Technical:	
Max flow:	6.67 l/s
Max flow:	6.67 l/s
Head max:	11 m
Type of impeller:	V
Maximum particle size:	50 mm
Approvals:	CE,VDE,EAC,RCM,LGABG,MORO,UKCA
Materials:	
Pump housing:	Stainless steel
Pump housing:	DIN W.-Nr. 1.4301
Pump housing:	AISI 304
Impeller:	Stainless steel
Impeller:	DIN W.-Nr. 1.4301
Impeller:	AISI 304
Installation:	
Range of ambient temperature:	0 .. 40 °C
Pump outlet:	R 2"
Maximum installation depth:	7 m
Inst dry/wet:	S
Installation:	horizontal or vertical
Auto-coupling:	Y
Liquid:	
Pumped liquid:	Any Newtonian liquid
Liquid max temp:	40 °C
Density:	998.2 kg/m ³
Electrical data:	
Motor type 1-phase:	PSC
Power input - P1:	1.2 kW
P2:	0.74 kW
Mains frequency:	50 Hz
Rated voltage:	1 x 230 V
Rated current:	5.37 A
Cos phi - power factor:	0.97
Rated speed:	2790 rpm
Capacitor size - run:	16 µF/400 V
Enclosure class (IEC 34-5):	IP68
Insulation class (IEC 85):	F
Built-in motor protection:	CONTACT
Thermal protec:	internal
Length of cable:	10 m
Type of cable plug:	SCHUKO
Controls:	
Level switch:	float switch
Others:	
Net weight:	11.6 kg
Gross weight:	12.9 kg
Danish VVS No.:	391272322
Swedish RSK No.:	5886036
Country of origin:	HU
Custom tariff no.:	84137021

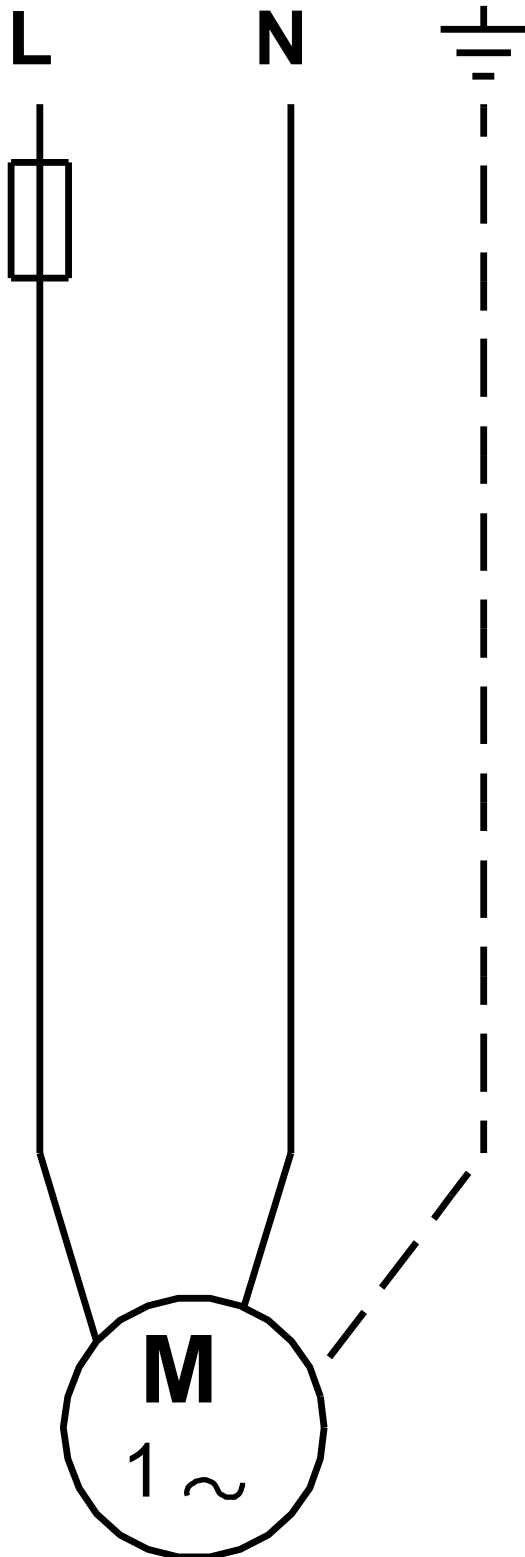


On request Unilift AP50B.50.08.A1.V 50 Hz



Note! All units are in [mm] unless others are stated.
Disclaimer: This simplified dimensional drawing does not show all details.

On request Unilift AP50B.50.08.A1.V 50 Hz



Note! All units are in [mm] unless others are stated.