

Bucket sink U2EXP

Art. no. U2EXP
GTIN 7393069022889



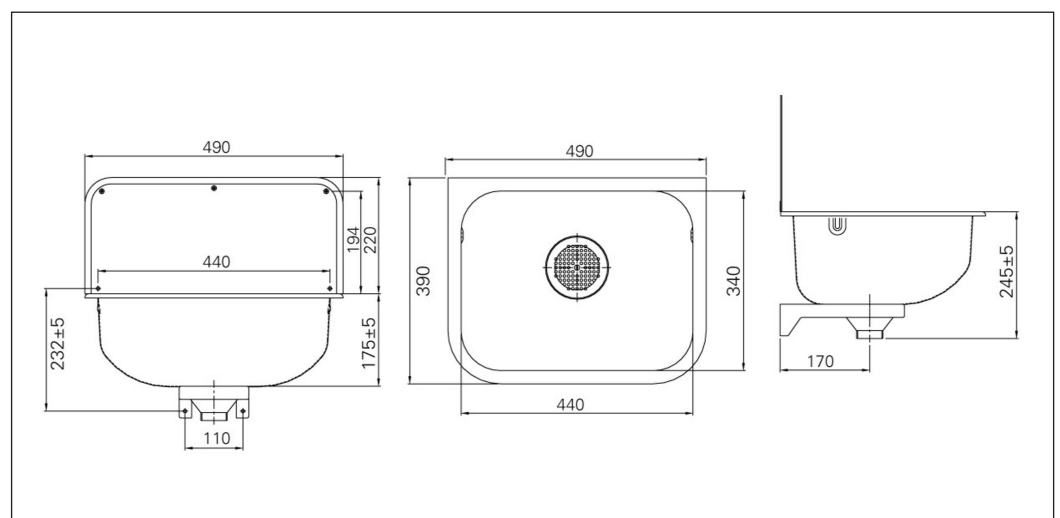
Overall dimension in mm	490 x 390 x 370
Depth in mm	175
Bowl dim. in mm	440 x 340 x 175
Material	AISI 304
Material thickness in mm	0,9
Installation height in mm	600
Product load in N	1000
Gross weight in kg	3.50
Pcs per pallet	28

Description

Bucket sink in stainless steel for wall mounting. Supplied with stainless steel wall panel, supporting bracket and 3 1/2" x 2" grated waste, and reducer from 2" - 1 1/2".

Installation

Fix waste and supporting bracket to the sink. Fasten sink to the wall through the two holes in the supporting bracket and the holes in the upstand in the rear of the sink. Fix wall panel parallel to the upstand and the fixing holes in the top corners of the wall panel. Screws and plugs are supplied.



Installation U2EXP

ASSEMBLY:

Included in the box:

- * Bucket sink
- * Wall components
- * Assembly equipment

Fix waste and supporting bracket to the sink. Fasten sink to the wall through the two holes in the supporting bracket and the holes in the upstand in the rear of the sink. Fix wall panel parallel to the upstand and the fixing holes in the top corners of the wall

panel. Screws and plugs are supplied.

ADDITIONAL ACCESSORY: Bucket grid - URIST 2-1

SPARE PARTS:

Wall panel: ZVBU2

Valve 3 1/2" w / grated waste: 79014

Sealing neoprene: 91002

Wall mounting bracket: 91020



Maintenance U2EXP

MAINTENANCE:

In order for the product to retain its original quality and appearance, regular cleaning is recommended. Use mild soap or products specifically designed for stainless steel and clean water. Then wipe the surface with a dry cloth. Never use detergents containing chlorine, iodine, fluoride or abrasives. Also avoid contact with acidic solutions and other substances incompatible with stainless steel. Remember that food stuffs and skin care products may contain such substances; e.g. ketchup, juice, salt, some cleansers, nail polish, etc. Promptly remove spills of such products.

* Do not allow water or other liquid to dry in. This is to avoid staining the surface.

* Even though stainless steel can withstand harsh

treatment, it will easily be scratched by sharp objects. For products with polished (brushed) finishes, this will be very visible when the product is new, but after a period of use, this will be negated as the steel loses its lustre. On surfaces with satin and polished finishes, the scratches will always be visible. Never use scouring powder or steel wool on stainless steel. This will scratch the steel and steel wool will leave small particles that can develop into rust spots.

* Stainless steel must not come into contact with, or be in environments containing, chlorine solutions for long periods of time.

* Silver polish causes stains which cannot be removed.



Bucket sink U4EXP

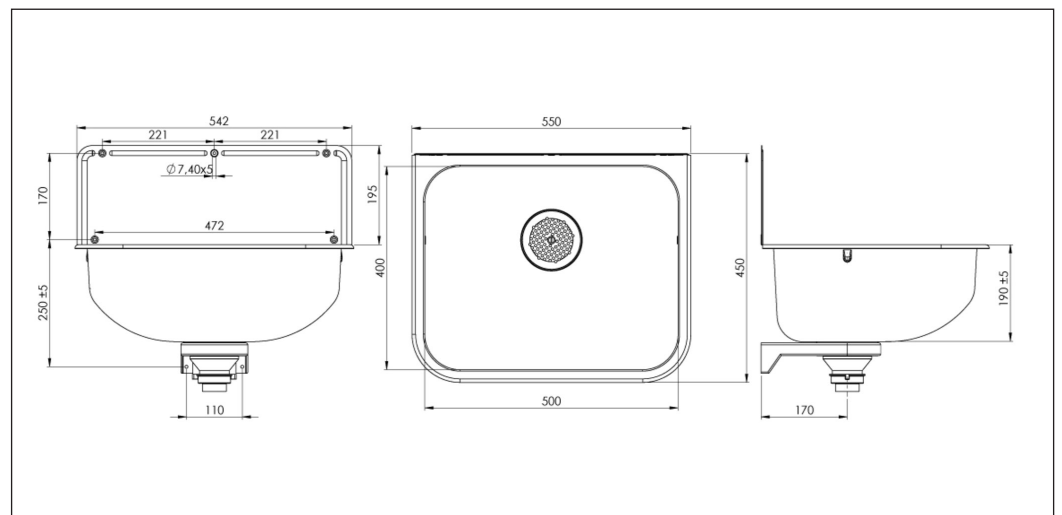
Art. no. U4EXP
GTIN 7393069022933



Overall dimension in mm	560 x 450 x 385
Depth in mm	190
Bowl dim. in mm	500 x 400 x 190
Waste hole dim. in mm	95
Material	AISI 304
Material thickness in mm	0,9
Installation height in mm	600
Product load in N	1000
Gross weight in kg	4.50
Pcs per pallet	24

Description

Bucket sink in stainless steel for wall mounting. Supplied with stainless steel wall panel, supporting bracket and 3 1/2" x 2" grated waste, and reducer from 2" - 1 1/2".



Installation U4EXP

INSTALLATION:

In the box you will find:

- * Bucket sink
- * Wall panel
- * Installation set

Accessory for order: Bucket grid URIST 4-1

Fix waste and supporting bracket to the sink. Fasten sink to the wall through the two holes in the supporting bracket and the holes in the upstand in the rear of the sink. Fix wall panel parallel to the upstand and the fixing holes in the top corners of the wall panel. Screws and plugs are supplied.

SPARE PARTS:

Wall Panel: ZVBU4

Valve 3 1/2" w/grated waste: 79014

Gasket: 91002

Supportbracket: 91020

Maintenance of Intra products in stainless steel

Congratulations on your purchase of an Intra product that has been produced according to the highest quality requirements. Several of our products are supplied with plastic film. This film protects our products during transportation. Before you can start using your product the film has to be removed. We recommend that the product is cleaned on a regular basis; this is to assure that your Intra product AISI304 will keep its original quality and appearance. Use

mild liquid soap or a mild detergent which is intended for use on stainless steel and clean water. Rinse carefully and wipe the surface with a dry cloth. Never use a detergent that contains chlorine, iodine, fluoride or abrasives on stainless steel. Also avoid contact with acid solutions and other substances that are not compatible with stainless steel. Keep in mind that food and skin care products may contain substances like this. Ketchup, juice, salt and some cleansing moisturizers and nail polish are examples of such products. Any spilling of this kind should be wiped off immediately.

Please have the following in mind

- To avoid stains on the products surface, do not let water or any other fluid dry on the product.
- Stainless steel can stand hard treatment but sharp objects may easily scratch the surface of the product. For products with a normal polish (brushed finish) this will be quite visible when the product is new. After a period of use these marks will be smoothed out, without the product losing its lustre. The scratches will always be visible on products in satin and with a grinded finish.
- Scouring powder and steel wool should never be used on stainless steel. Apart from the risk of scratches, there is also a risk that rust stains will attack the steel.
- Avoid stainless steel in direct contact with, or in environments with, Chlorine based solutions.
- Silver polish leaves spots that cannot be removed.