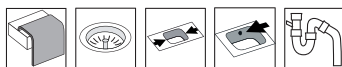


# Horizon HZ615SH

**Art. no.** HZ615SH  
**GTIN** 7393069010602



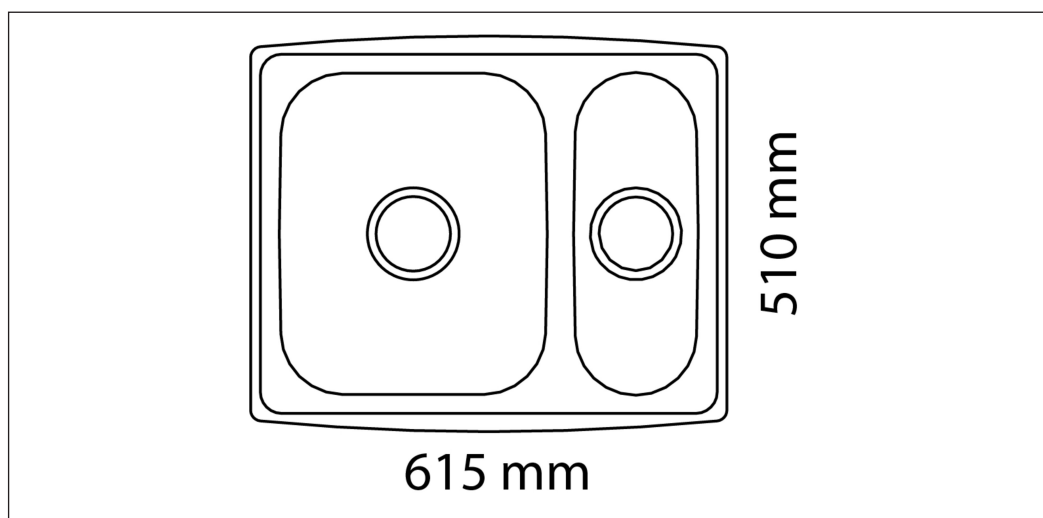
**Cabinet size** 60  
**Overall dimension in mm** 615 x 510  
**Bowl dim. in mm** 345 x 415 x 160  
**Small bowl dim. in mm** 160 x 415 x 120  
**Cut-out dimension, inset model** 594 x 468 mm  
**Waste hole dim. in mm** 97  
**Waste hole placement** center  
**Material** EN 1.4301, AISI 304, SS2333  
**Material thickness in mm** 0,7  
**Pcs per pallet** 22  
**Design** OddThorsen

## Description

Reversible kitchen sink for inset, under- or flushmounting. Delivers with basket wastes, overflow in one bowl, tap hole cover and water trap.

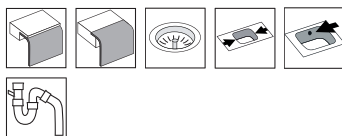
Separate article number for under/flushmounting: HZ615SHF  
Also available with one taphole only (sink right or left)

Optional



# Horizon HZ615SH

**Art. no.** HZ615SHF  
**GTIN** 7393069010640



**Cabinet size** 60  
**Overall dimension in mm** 615 x 510  
**Bowl dim. in mm** 345 x 415 x 160  
**Small bowl dim. in mm** 160 x 415 x 120  
**Cut-out dimension, inset model** 594 x 468 mm  
**Waste hole dim. in mm** 97  
**Waste hole placement** center  
**Material** EN 1.4301, AISI 304, SS2333  
**Material thickness in mm** 0,7  
**Pcs per pallet** 22  
**Design** OddThorsen

## Description

Reversible kitchen sink for inset, under- or flushmounting. Delivers with basket wastes, overflow in one bowl, tap hole cover and water trap.

Separate article number for under/flushmounting: HZ615SHF  
Also available with one taphole only (sink right or left)

Optional

