

EAN: 4015474263086
static.hansa.com/54912273



- Kitchen
- Single-lever, side operated
- Deck mounted
- Chrome
- Swivel spout, Pull-out model
- Standard aerator
- Hot/Cold symbols, Single operating lever/handle
- Non-return valve(s), \varnothing 25 mm ceramic cartridge for flow and temperature control
- Flexible inlet pipes
- Surfaces in contact with drinking water contain less than 0.3% lead, Inner body made of DZR brass, Waterways without nickel coating
- protected against back-flow in domestic use (according to DIN EN 1717)

Technical data

Flow properties

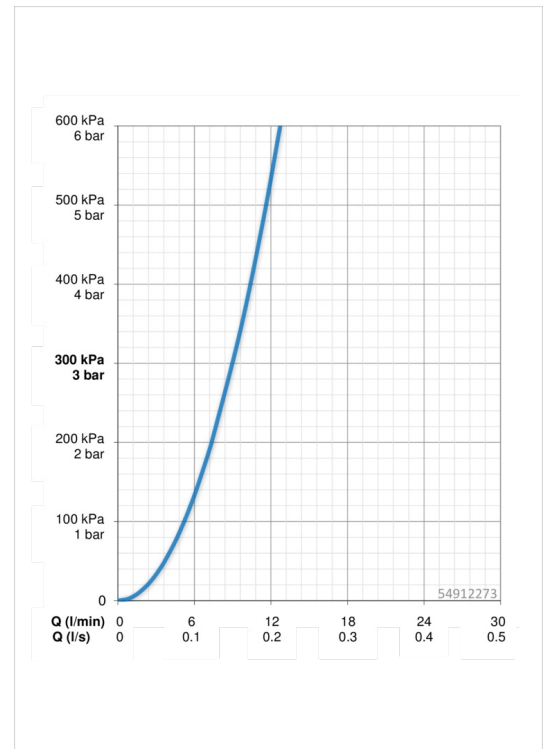
Flow-rate at 3 bar **9.0 l/min**

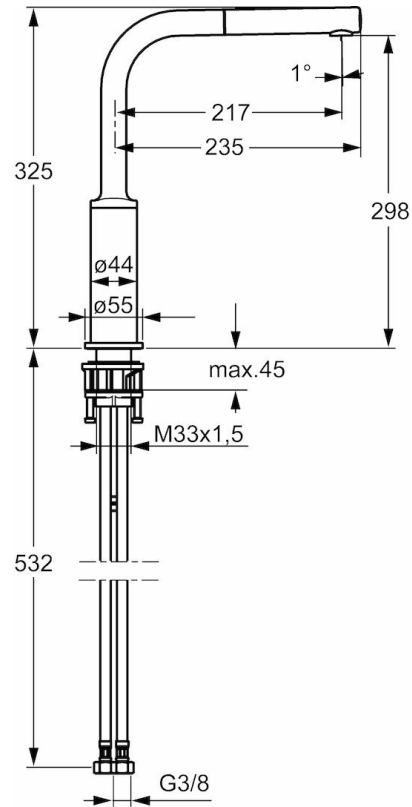
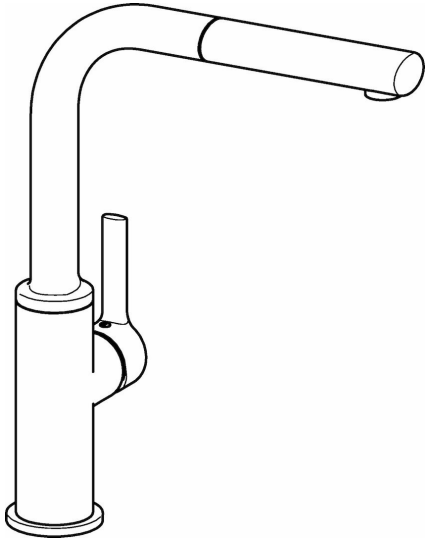
Technical properties

DN-size (nominal dimension) **DN15**
 Hot water supply **max. +90°C**
 Working pressure **1-10 bar**
 Connection size **G3/8**
 Projection **217 mm**
 Material **Brass**

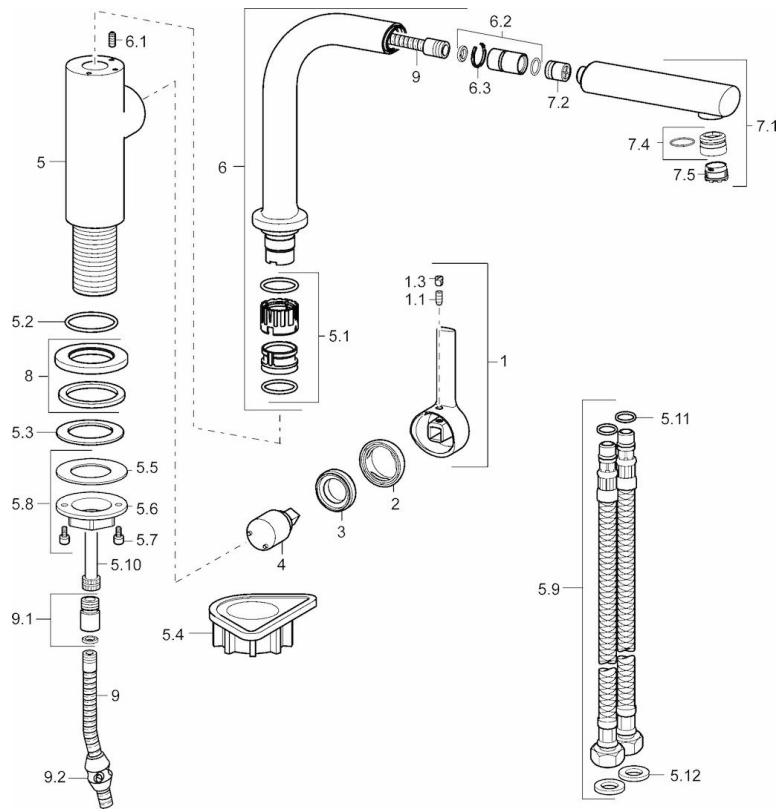
Regulations

EN standard **EN 817**





Spare parts



SP54912273

	Name	Code
1	Lever, 2,5	59913985
1.1	Screw, M5x8, SW2,5	59904755
1.3	Cover plug	59913762
2	Covering cap	59913957
3	Tightening nut, M32x1, SW24	59913958
4	Cartridge, 2,5	59913914
5.1	Sealing kit	59914027
5.10	Coupling pipe, M8x1 - M14x1, L=214	59914035
5.11	O-ring, 6x1,4	59913266
5.12	Gasket, 9,5x14,4x2	59912551
5.2	O-ring, 35,00x2,50	59905020
5.3	Gasket, 48x33,5x2	59902283
5.4	Supporting plate	59910008
5.8	Fixing set	59913479
5.9	Hose, M18x1,G3/8, L=650	59914036
6	Spout	59914026
6.1	Fixing screw, M4x8	59913989
6.2	Connection nipple	59914029
7.1	Pull-out spout	59914033
7.2	Non-return valve, DN8	59914030
7.4	Fitting ring for aerator	59913654
7.5	Aerator, M18,5x1 HC TJ B, (2018-)	59914031
8	Cover flange, d 55 mm	59913963
9	Hose, L=1400	59914032
9.1	Conversion nipple	59914028
9.2	Counterbalance	59914039