

EAN: 4015474276628  
[static.hansa.com/01382283](http://static.hansa.com/01382283)



- Kitchen
- Single-lever
- Deck mounted
- Chrome
- Swivel spout, Pull-out model, Casted construction
- Standard aerator
- Hot/Cold symbols, Single operating lever/handle
- Shower hose (1400 mm)
- Limitation option for maximum temperature and flow-rate, Adjustable hot water stop (included, retrofittable)
- $\varnothing$  48 mm ceramic cartridge for flow and temperature control, Non-return valve(s)
- Flexible inlet pipes
- Surfaces in contact with drinking water contain less than 0.3% lead, Inner body made of DZR brass, Waterways without nickel coating
- protected against back-flow in domestic use (according to DIN EN 1717)

## Technical data

### Flow properties

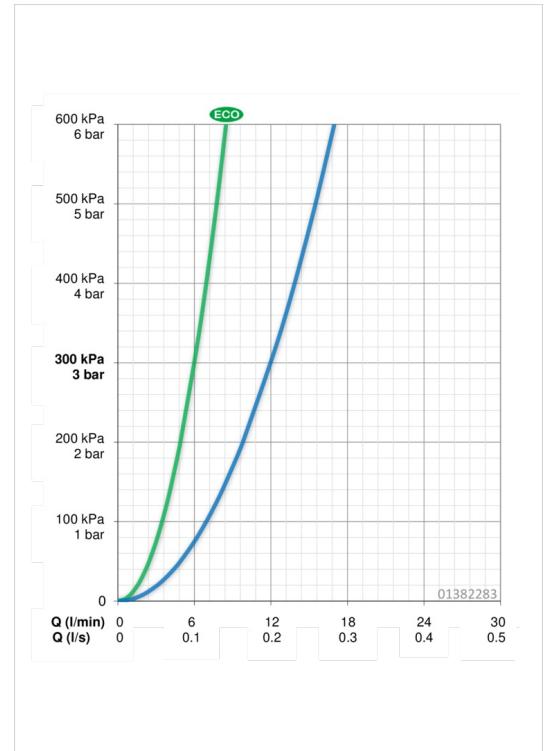
Eco-flow at 3 bar	<b>6.0 l/min</b>
Flow-rate at 3 bar	<b>12.0 l/min</b>

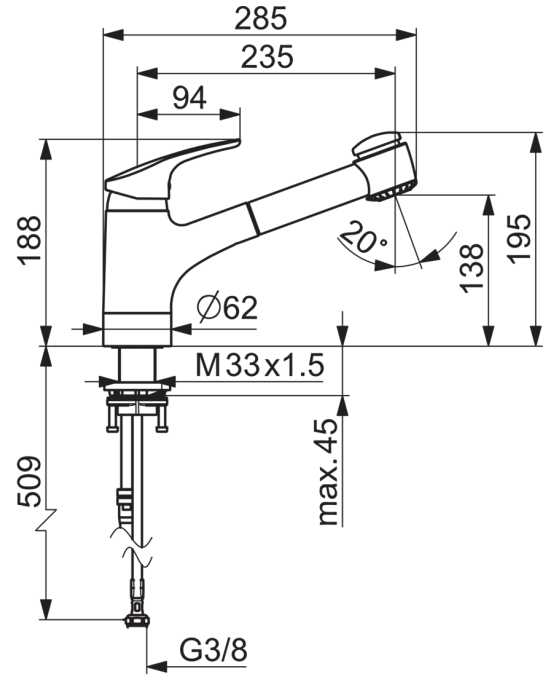
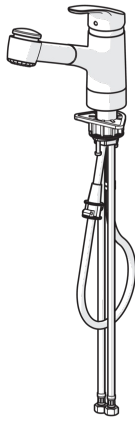
### Technical properties

DN-size (nominal dimension)	<b>DN15</b>
Hot water supply	<b>max. +90°C</b>
Working pressure	<b>0.5-10 bar</b>
Connection size	<b>G3/8</b>
Projection	<b>235 mm</b>
Material	<b>Brass</b>

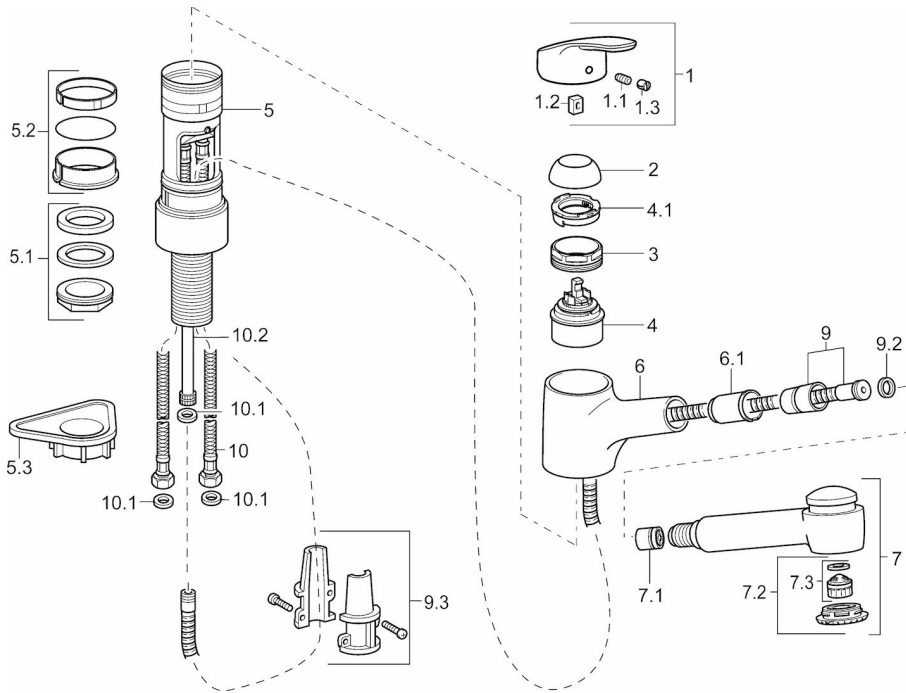
### Regulations

EN standard	<b>EN 817</b>
-------------	---------------





## Spare parts



### SP01382283

Name	Code
1 Lever, L=93 mm	01880083
1.1 Screw, M5x8, SW2.5	59904755
1.2 Bushing	59904778
1.3 Symbol plug Grey	59912112
10 Flexible pipe, M10 x 1 - 3/8, L=600mm	59912719
10.1 Gasket, 9.5x14.4x2	59912551
10.2 Coupling pipe, M10x1, M14x1, L=230	59912718
2 Covering cap	59912647
3 Eye screw, M50x1, SW45	59904775
4 Cartridge, 4.8 eco	59904601
4.1 Adjusting ring	59904759
5.1 Fixing set, M33 x 1,5	59912717
5.2 Sealing kit	59912646
5.3 Supporting plate	59910008
6 Spout	59912721
6.1 Passing-through bushing	59912724
7 Pull-out spout	59912722
7.1 Non-return valve	59905714
7.2 Hand shower screen	59913878
7.3 Aerator, M22/M24	59905901
9 Hose, L=1400	59912720
9.2 Gasket ring, d 21x12x2	59912304
9.3 Retainer	59906600