

EAN: 4057304005183
static.hansa.com/52702293



- Kitchen
- Single-lever
- Deck mounted
- Chrome
- Swivel spout, Swivel range limiting option
- Hot/Cold symbols, Single operating lever/handle
- Limitation option for maximum temperature and flow-rate, Adjustable hot water stop (included, retrofittable)
- Litter filter(s), ϕ 35 mm ceramic cartridge for flow and temperature control
- Flexible inlet pipes
- Rapid installation system

Technical data

Flow properties

Flow-rate at 3 bar **10.2 l/min**

Technical properties

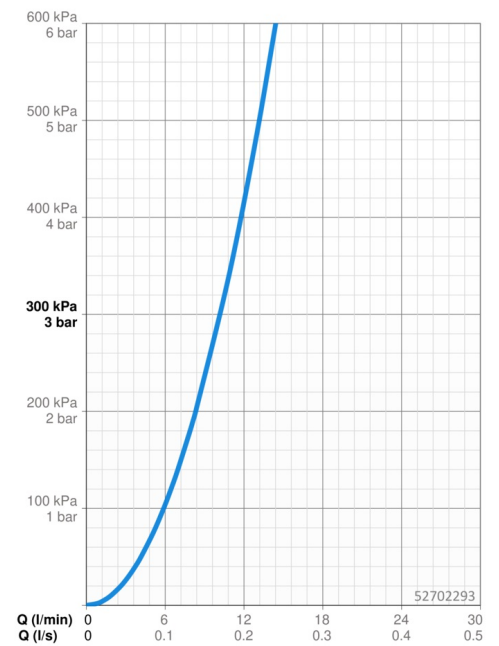
DN-size (nominal dimension) **DN15**
 Hot water supply **max. +80°C**
 Working pressure **0.5-10 bar**
 Connection size **G3/8**
 Projection **221 mm**
 Backflow prevention (EN1717) **AA**
 Material **Brass**

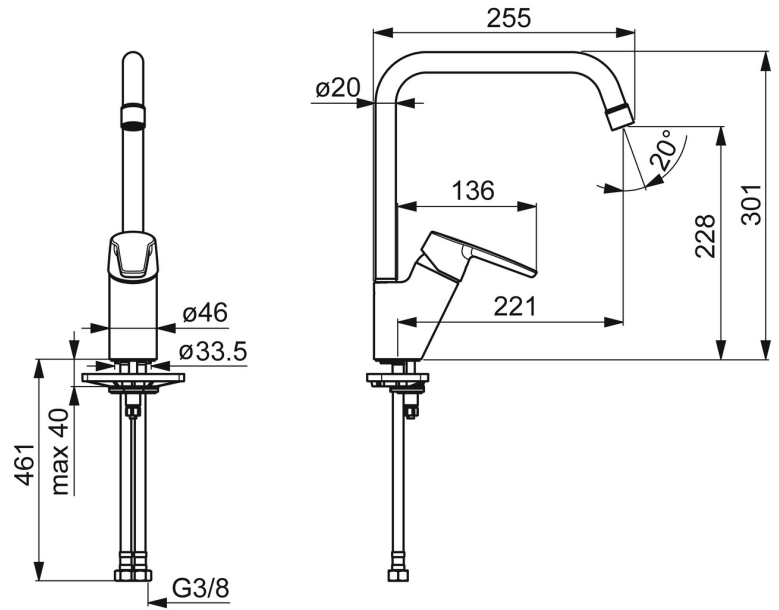
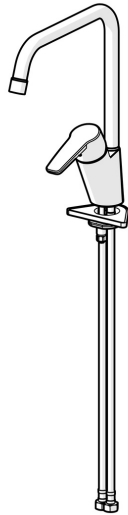
Regulations

EN standard **EN 817**

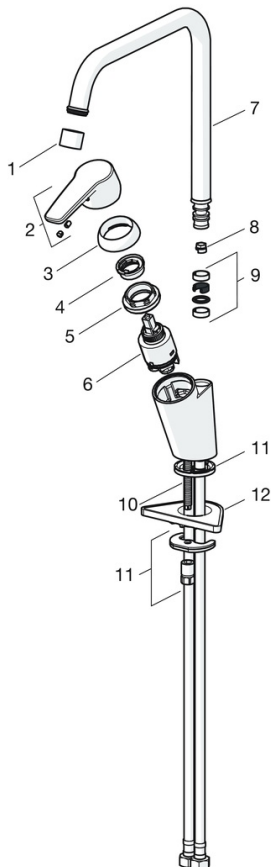
Approvals and Declarations

EPD **S-P-06396**





Spare parts



SP52702293

Name	Code
01 Aerator, M22x1 STD CC A	59914436
02 Lever	59914417
03 Covering cap, 33x3 mm	59912504
04 Temperature adjustment limiter	59912325
05 Tightening nut, M40x1, SW30	59913210
06 Cartridge, 3.5 Classic	59913075
07 High spout, L=255 Discontinued	59914438
08 Spout overturning stopper, 120°	59914429
08 Spout overturning stopper, 60° / 0°	59914264
09 Sealing kit for spout	59914266
10 Fixing screw, M8x1, L=140	59912474
11 Fixing set	59910749
12 Supporting plate	59910008