

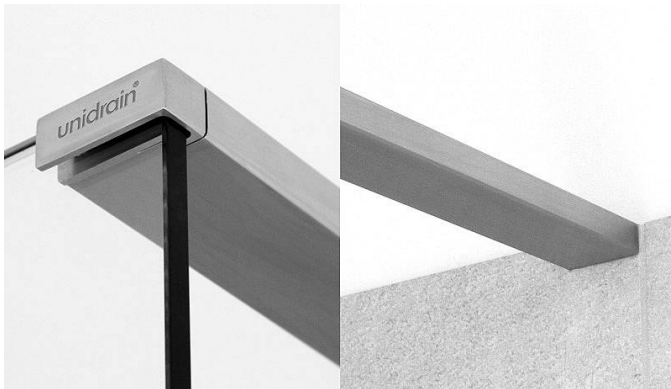
5310.1203

Top rail 5310

To finish shower screen

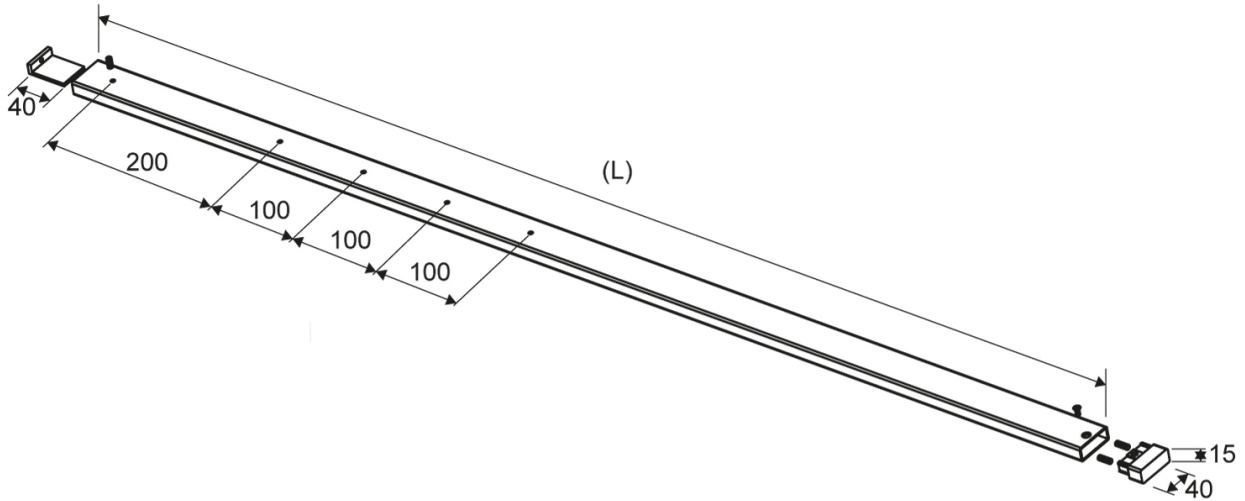
A top rail is recommended to stabilise shower screens measuring 1,200 mm or more

The top rail is available in one length. Cut to fit the individual shower cubicle



Specifications

ITEM NUMBER	GTIN NUMBER	MATERIAL
5310.1203	5707692008295	Stainless steel (AISI 304) (brushed stainless steel)
USAGE	FITS	HEIGHT (H)
To stabilise shower screen	Left-aligned shower screens	15 mm
FITS LENGTH MODEL	WIDTH (SHOWERDOOR)	
700-1,200	40 mm	



5310.1203

Products