

5310.1202

Top rail 5310

To finish shower screen

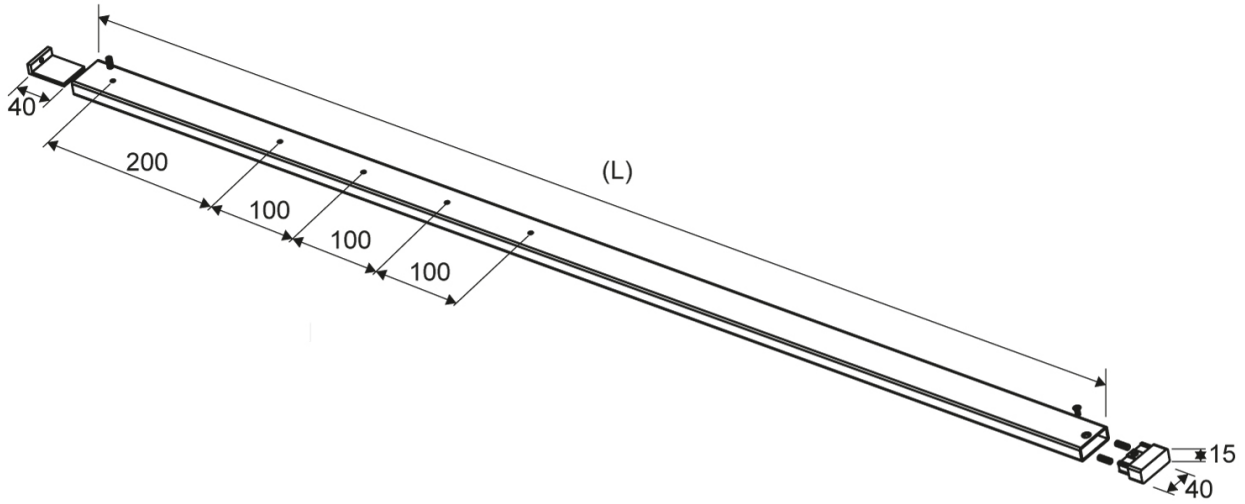
A top rail is recommended to stabilise shower screens measuring 1,200 mm or more

The top rail is available in one length. Cut to fit the individual shower cubicle



Specifications

ITEM NUMBER 5310.1202	GTIN NUMBER 5707692008158	MATERIAL Stainless steel (AISI 304) (Brushed stainless steel)
USAGE To stabilise shower screen	FITS Right-aligned shower screens	HEIGHT (H) 15 mm
FITS LENGTH MODEL 700-1,200	WIDTH (SHOWERDOOR) 40 mm	



5310.1202

Products