

EAN: 4057304003455
static.hansa.com/58150071



- Shower solutions
- Thermostatic
- Wall mounted
- Chrome
- Temperature control handle, Flow control handle
- Eco flow control
- Safety stop against scalding at 38°C, The housing of the fittings conducts minimal heat
- Ceramic head part for flow control, Non-return valve(s), Litter filter(s), Thermostatic cartridge for automatic temperature control
- Without couplings
- protected against back-flow in domestic use (according to DIN EN 1717)

Technical data

Flow properties

Eco-flow at 3 bar	11.4 l/min
Flow-rate at 3 bar	19.2 l/min

Technical properties

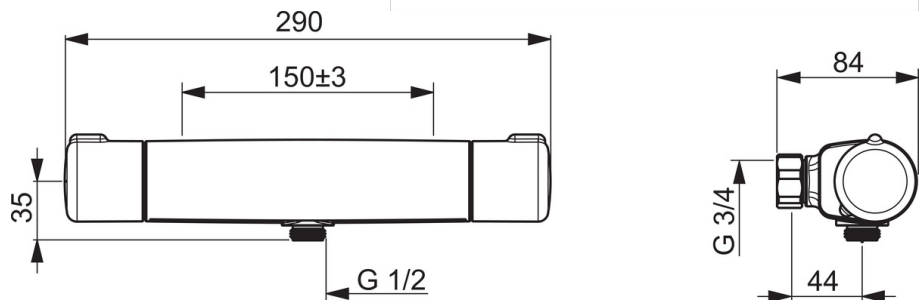
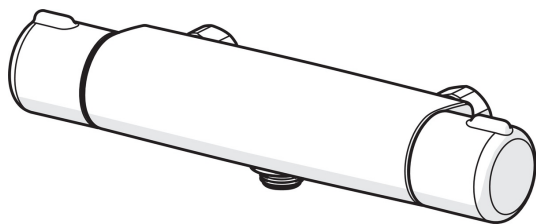
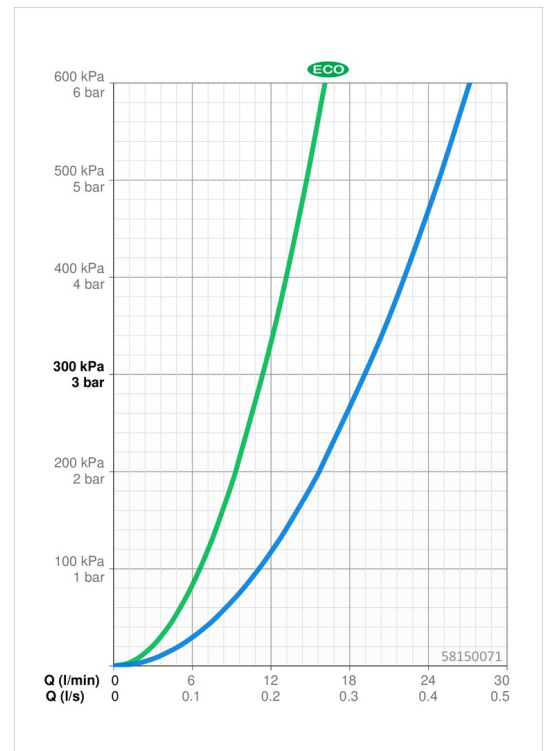
DN-size (nominal dimension)	DN15
Hot water supply	max. +80°C
Working pressure	1-10 bar
Installation width	cc150 mm
Backflow prevention (EN1717)	EB

Regulations

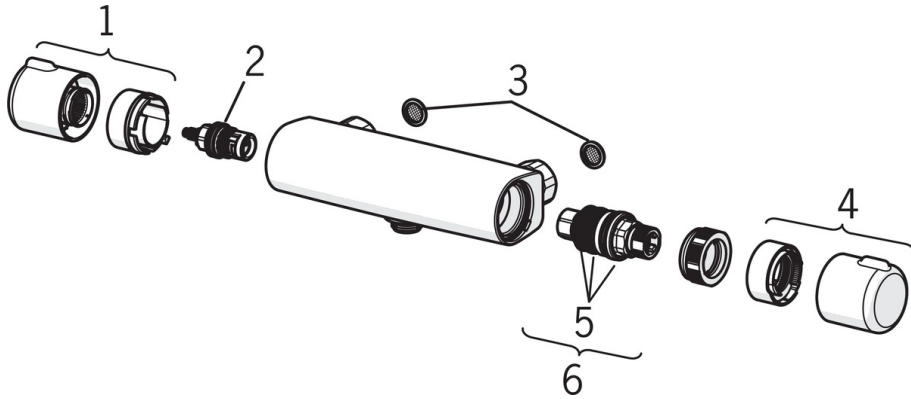
EN standard	EN 1111
-------------	----------------

Approvals and Declarations

ACS	ACC 18 LY 441_Micra_Unita
-----	----------------------------------



Spare parts



SP58150171

	Name	Code
1	Flow control handle	59914395
2	Headpart, G1/2	59914111
3	Filter sealing, G3/4	59911076
4	Temperature control handle	59914396
5	O-ring kit	59914113
6	Thermostatic cartridge, 3.4	59914114
N.I.	Tightening nut, M36x1.5, SW38	59914319
N.I.	Eccentric, G3/4xG1/2	59904793
N.I.	Combiner	59914472