

EAN: 4057304007774  
[static.hansa.com/5865017182](http://static.hansa.com/5865017182)



- Shower solutions
- Thermostatic
- Wall mounted
- Chrome/White
- Temperature control handle, Flow control handle
- Turn operated diverter, Integrated into flow control handle
- Hand shower, Shower holder, Shower hose (1750 mm), Overhead shower, Rotatable ball joint connection
- Pulsating - Strong water stream for massage or body treatment, Intense - invigorating water stream, Sensitive - Gentle water stream
- Safety stop against scalding at 38°C, The housing of the fittings conducts minimal heat
- Thermostatic cartridge for automatic temperature control, Non-return valve(s)
- Ball eccentric coupling(s)
- Safety glass
- protected against back-flow in domestic use (according to DIN EN 1717)
- 3 spray functions

## Technical data

### Flow properties

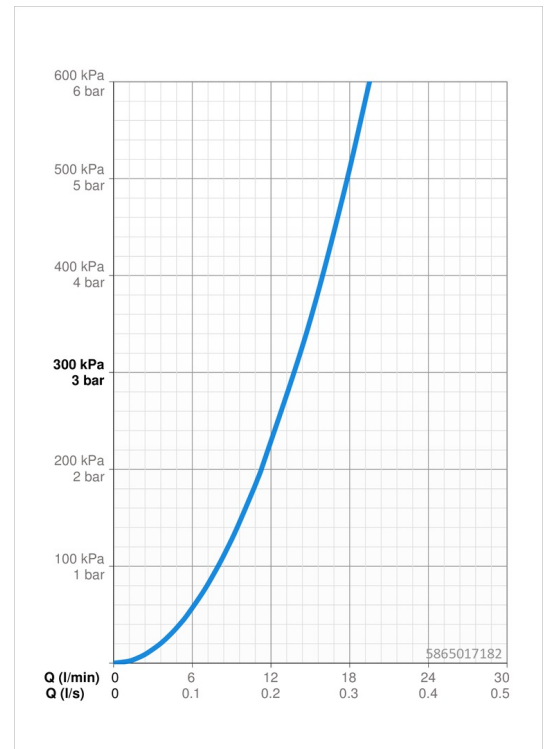
Flow-rate at 3 bar	<b>13.8 l/min</b>
Pressure loss with flow (0.2 l/s)	<b>2.1 bar</b>

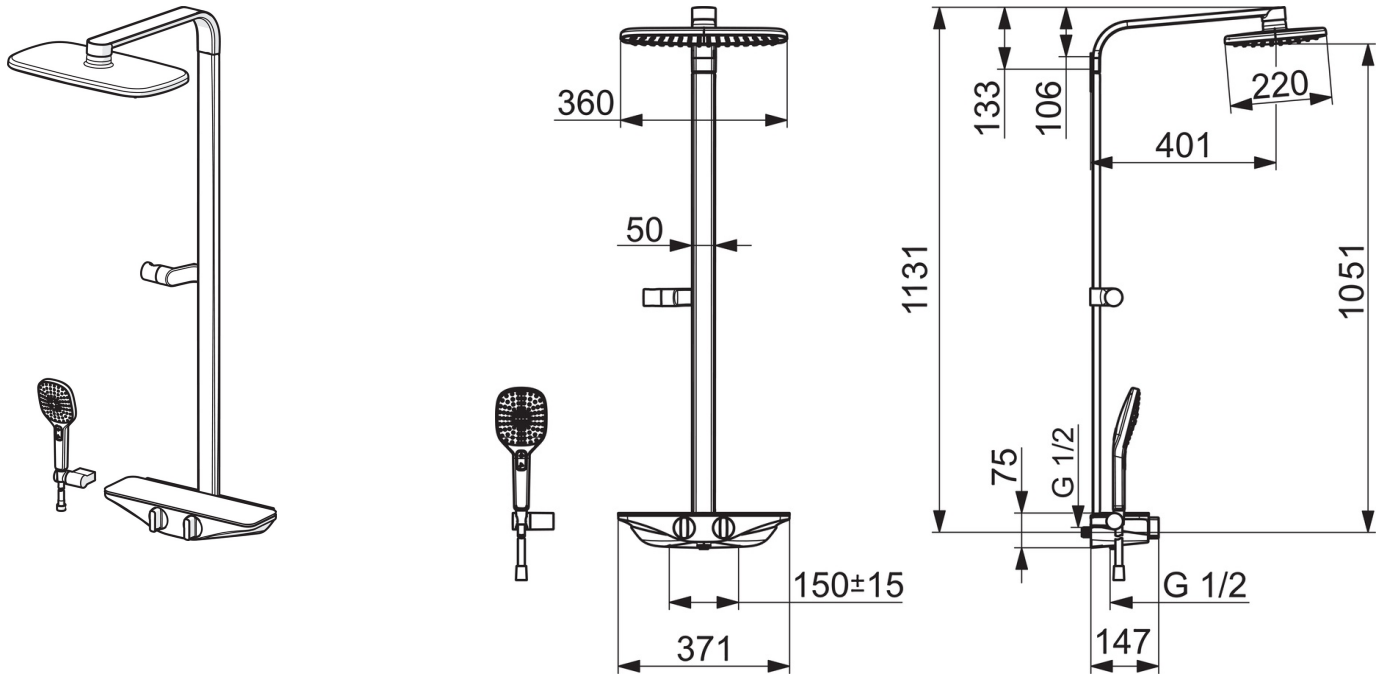
### Technical properties

DN-size (nominal dimension)	<b>DN15</b>
Hot water supply	<b>max. +80°C</b>
Working pressure	<b>1-10 bar</b>
Connection size	<b>G1/2</b>
Installation width	<b>CC150± 15 mm</b>
Backflow prevention (EN1717)	<b>EB</b>
Material	<b>Brass</b>

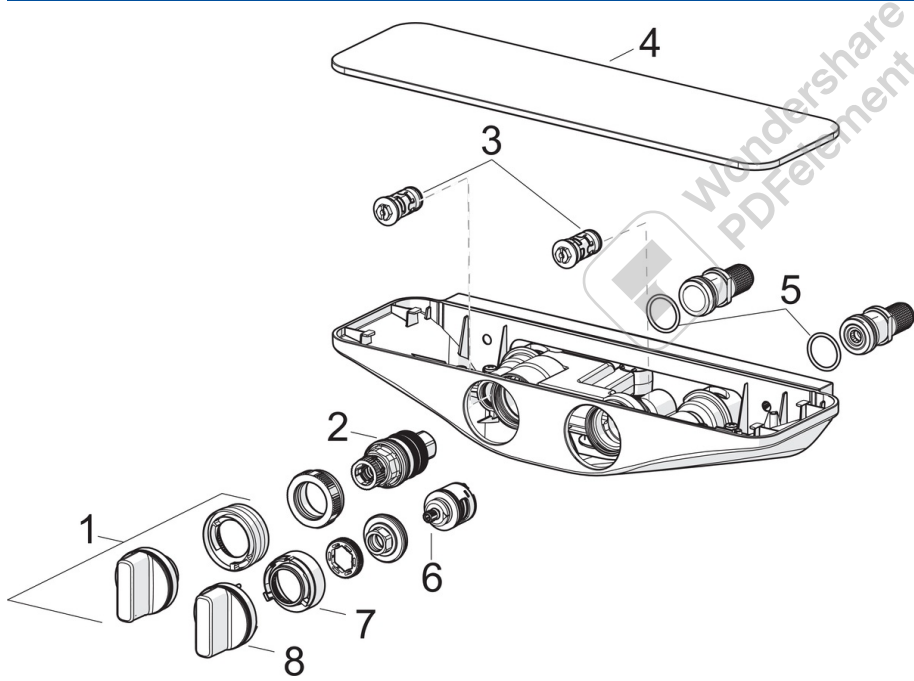
### Regulations

EN standard	<b>EN 1111, EN 1112, EN 1113</b>
Noise class	<b>I (ISO 3822) Oras lab.</b>





### Spare parts



#### SP5865017182

	Name	Code
01	Temperature control handle	59914596
02	Thermostatic cartridge, 3,4	59914114
03	One-way valve with litter screen	59913696
03	One-way valve with litter screen, (9/2018-)	59914727
04	Cover plate White	59914606
05	O-ring, 25.07x2.62	59911479
06	Diverter and cartridge	59914183
07	Flow limiter	59914635
08	Flow control handle	59914599
N.I.	Connector, G1/2	59911491

EAN: 4057304008436  
[static.hansa.com/5865017184](http://static.hansa.com/5865017184)



- Shower solutions
- Thermostatic
- Wall mounted
- Chrome/Grey
- Temperature control handle, Flow control handle
- Turn operated diverter, Integrated into flow control handle
- Hand shower, Shower holder, Shower hose (1750 mm), Overhead shower, Rotatable ball joint connection, Anti limescale technology (easy to clean)
- Pulsating - Strong water stream for massage or body treatment, Intense - invigorating water stream, Sensitive - Gentle water stream
- Safety stop against scalding at 38°C, The housing of the fittings conducts minimal heat
- Thermostatic cartridge for automatic temperature control, Non-return valve(s)
- Ball eccentric coupling(s)
- Safety glass
- protected against back-flow in domestic use (according to DIN EN 1717)
- 3 spray functions

## Technical data

### Flow properties

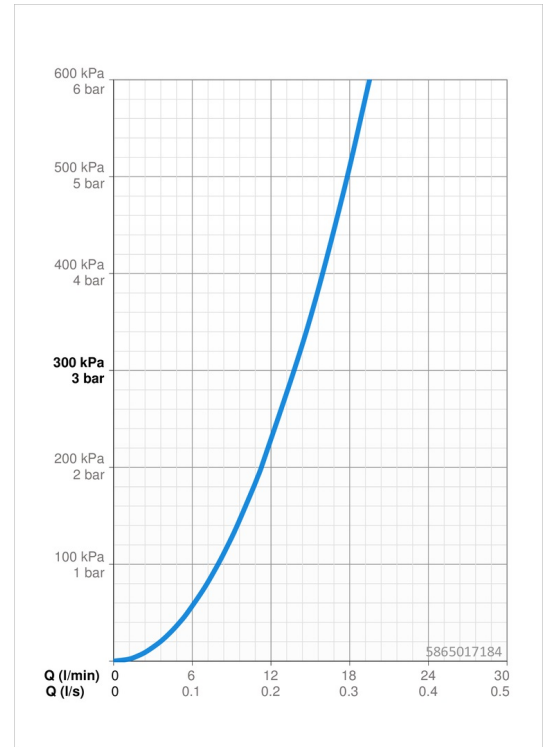
Flow-rate at 3 bar	<b>13.8 l/min</b>
Pressure loss with flow (0.2 l/s)	<b>2.1 bar</b>

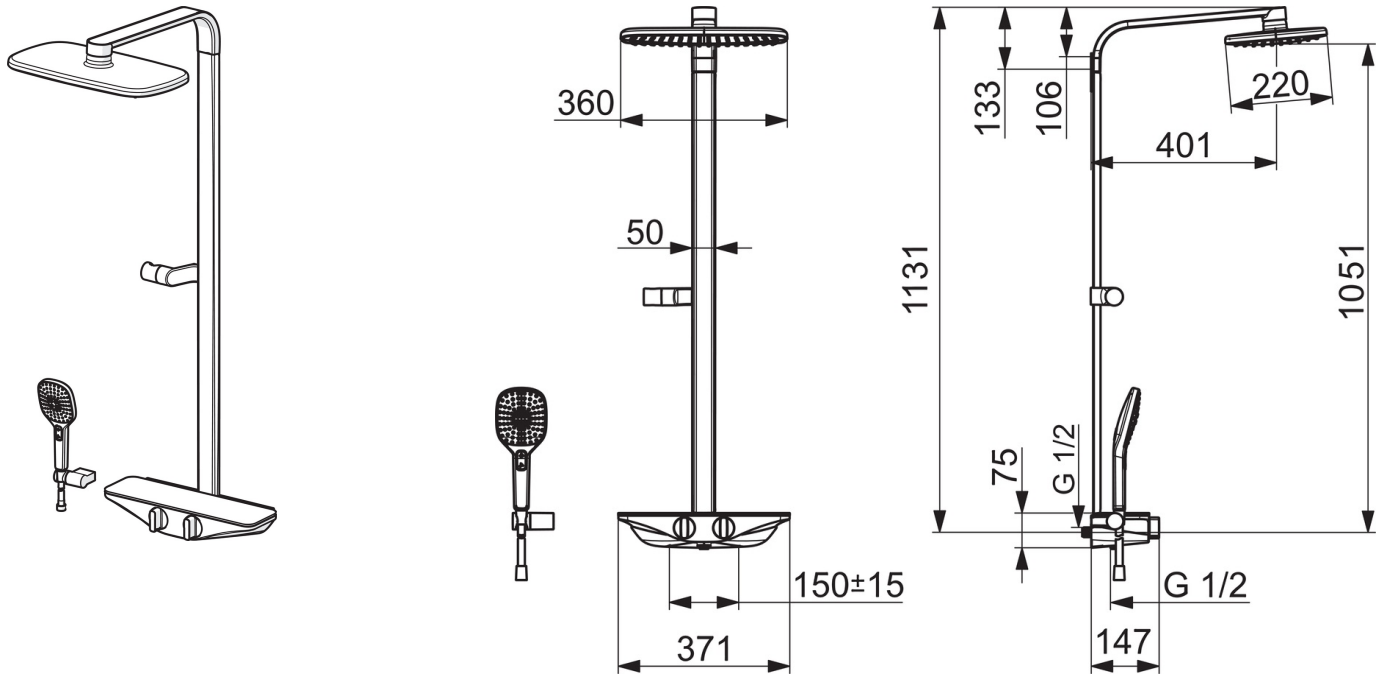
### Technical properties

DN-size (nominal dimension)	<b>DN15</b>
Hot water supply	<b>max. +80°C</b>
Working pressure	<b>1-10 bar</b>
Connection size	<b>G1/2</b>
Installation width	<b>CC150± 15 mm</b>
Backflow prevention (EN1717)	<b>EB</b>
Material	<b>Brass</b>

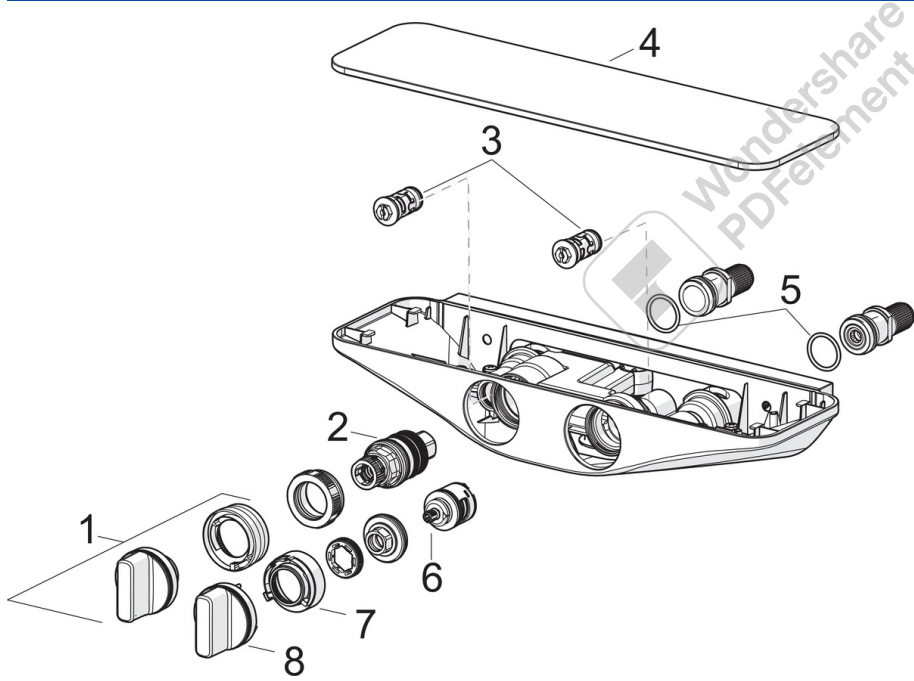
### Regulations

EN standard	<b>EN 1111, EN 1112, EN 1113</b>
Noise class	<b>I (ISO 3822) Oras lab.</b>





### Spare parts



#### SP5865017184

Name	Code
01 Temperature control handle	59914596
02 Thermostatic cartridge, 3,4	59914114
03 One-way valve with litter screen	59913696
03 One-way valve with litter screen, (9/2018-)	59914727
04 Cover plate Grey	59914605
05 O-ring, 25.07x2.62	59911479
06 Diverter and cartridge	59914183
07 Flow limiter	59914635
08 Flow control handle	59914599
N.I. Connector, G1/2	59911491