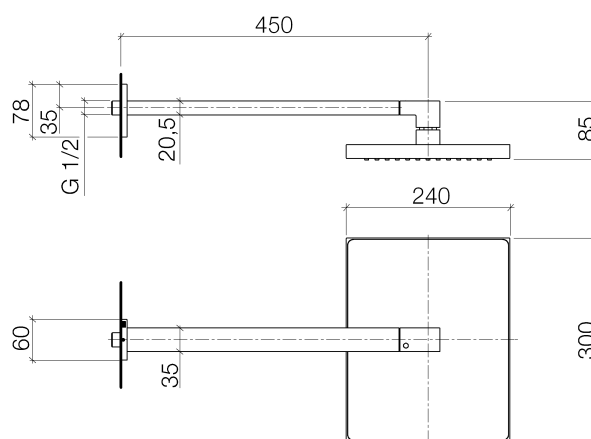


Product specifications

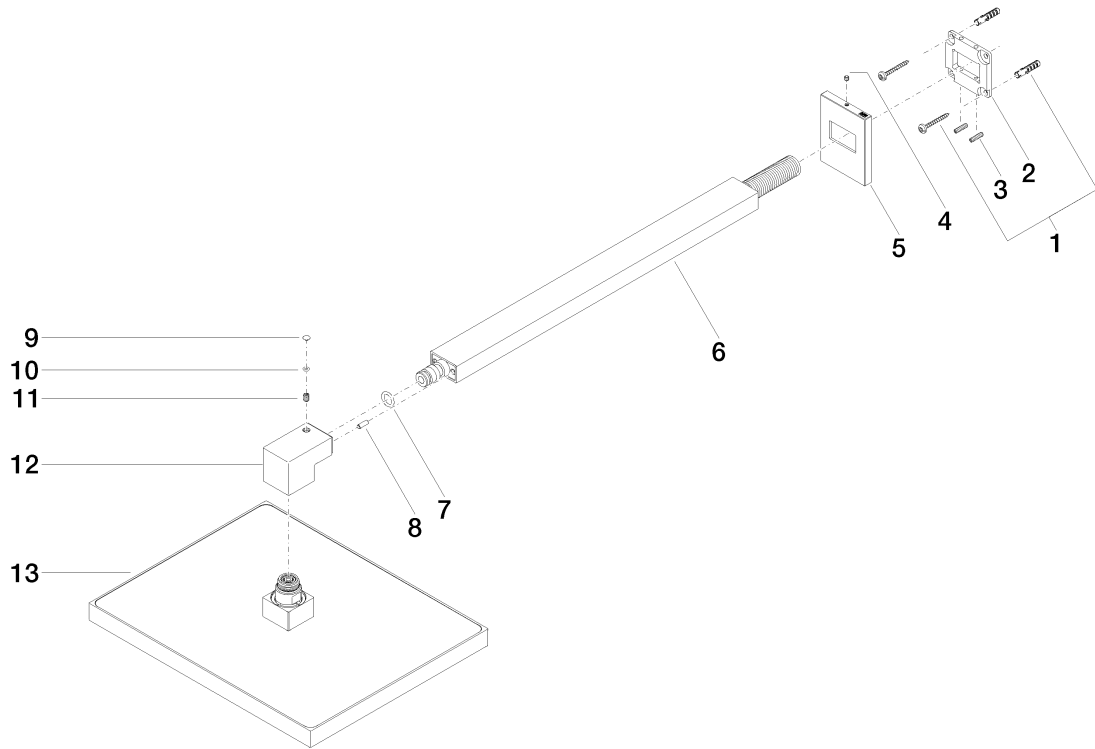
- **450 mm projection**
- Rainshower 300 x 240 mm with anti-scale system
- rosette 78 x 60 mm
- 1/2" connection
- Max. flow 14 l/min



Surfaces

- chrome 28745730-00
- champagne 28745730-47

Exploded assembly drawing



Order quantity

No.	Article number	Name	Installation quantity
1	0430310320090	fixing set	1
2	09301116090	disc	1
3	09311108490	pin	2
4	09311104890	pin	1
5	092773023ff	rosette	1
6	04282224701ff	pipe	1
7	09141001190	seal	1
8	09311104090	pin	1
9	093120087ff	plug	1
10	09141013390	seal	1
11	09311103690	pin	1
12	091701180ff	connection	1
13	04120505000ff	shower	1

Flow rate chart

