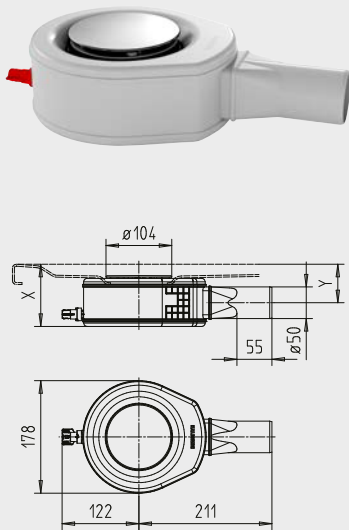




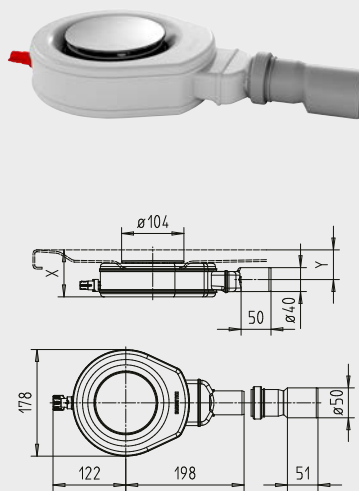
WASTE FITTINGS KA 90

- Very low installation height
- Waste cover flush with the shower surface and easy to remove
- Easy to clean
- Direct access to the waste pipe by means of a removable odour trap
- Drainage capacity in accordance with EN 274, recommended for shower heads with a water flow of up to 18 l/min.
- Included in the scope of delivery: Chrome cover, hair catcher
- Enamelled waste cover optionally as a finishing set
- **New:** can now be used universally for installation systems ESR, FR and extra flat tub support

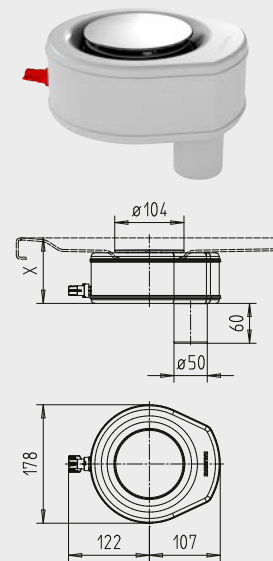
KALDEWEI KA 90 horizontal mod. 4109



KALDEWEI KA 90 flat mod. 4104



KALDEWEI KA 90 vertical mod. 4110



	KA 90 horizontal	KA 90 flat	KA 90 vertical
	4109	4104	4110
Connection height waste fitting	+ 42.5 mm	Surface depth + 31 mm	-
Height shower surface with siphon	+ 80 mm	Surface depth + 60 mm	Surface depth** + 80 mm
Fitting height	81 mm	61 mm	81 mm
Connection pipe diameter	50 mm	40 mm	50 mm
External dimensions	180; 90; 107 mm	180; 90; 107 mm	180; 90; 107 mm
Length of connection pipe (can be cut to length)	55 mm	50 mm	60 mm
Distance between the siphon axis and the connection pipe	210 mm	198 mm	62 mm
Outside diameter waste cover	105 mm	105 mm	105 mm

In the planning phase, please note the information in the installation instructions. You can find them at www.kaldewei.co.uk

Waste fitting	Model Order no.		
KA 90 with drain off connection chrome waste cover, corresponds to DIN EN 274 (water seal height 50 mm)	4103 687772560999		
KA 90 ultra-flat with drain off connection chrome waste cover, does not comply with DIN EN 274 (water seal height 30 mm)	4104 687772540999		
KA 90 vertical with drain off connection chrome waste cover, corresponds to DIN EN 274 (water seal height 50 mm)	4105 687772550999		

Please note: A central support is required for dimensions of 90 x 90 cm or more. We recommend the use of the KALDEWEI central support system MAS.