

EAN: 4015474279018
static.hansa.com/81149552



- Bath tub & Shower
- Trim Kit, Thermostatic
- Concealed wall mounting
- Chrome
- Temperature control handle, Flow control handle
- Turn operated diverter
- Safety stop against scalding at 38°C
- Thermostatic cartridge for automatic temperature control, Non-return valve(s)
- Inner body made of DZR brass, Manual, ceramic, pressure independent diverter with volume control and stop function for two outlets
- Round rosette, Sleeve, Fastening of the function unit with screws, BLUECLICK for an easy, screwless trim plate installation, BLUETUNE alignment after installation of +/- 3,5°

Technical data

Flow properties

Flow-rate at 3 bar **20.4 / 20.4 l/min**

Technical properties

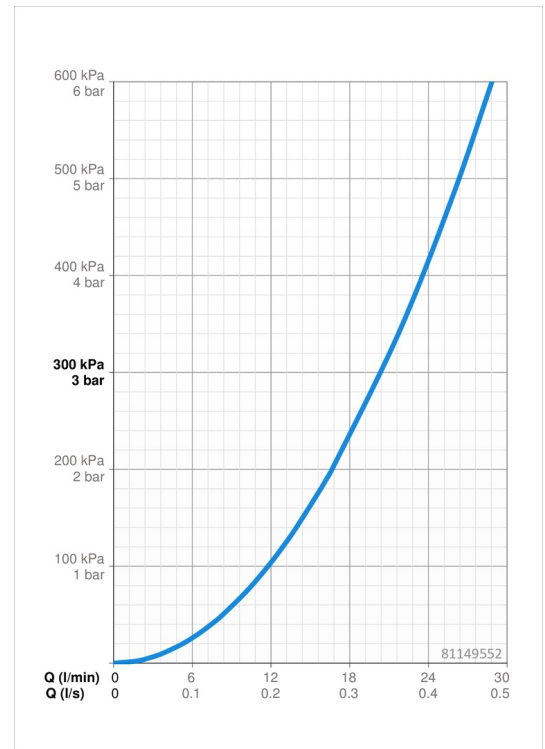
DN-size (nominal dimension) **DN15**
 Hot water supply **max. +80°C**
 Working pressure **0.5-10 bar**
 Backflow prevention (EN1717) **EB**

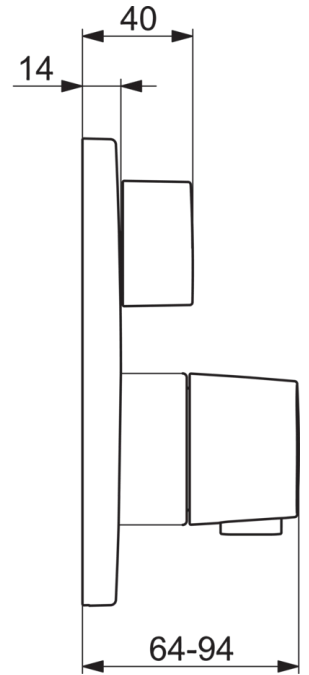
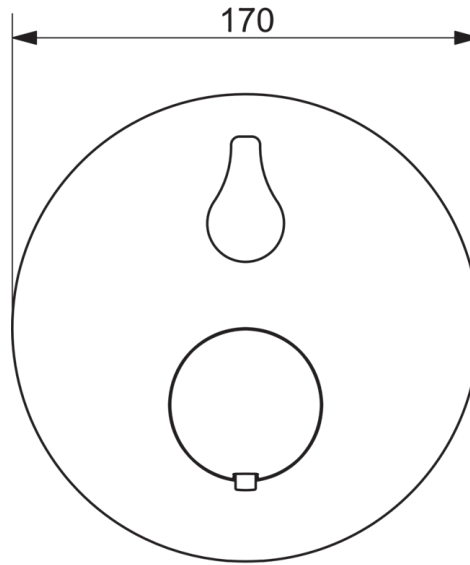
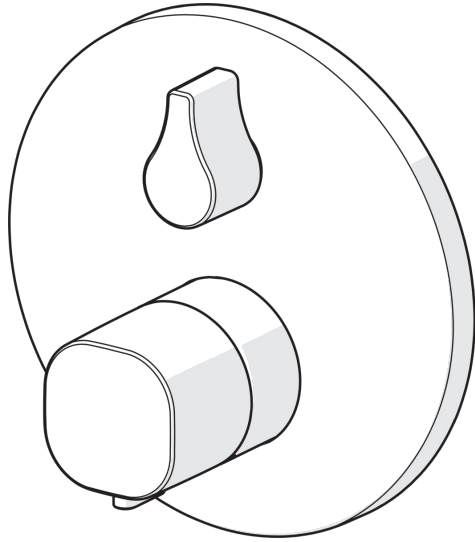
Regulations

EN standard **EN 1111**
 Noise class **I (ISO 3822)**

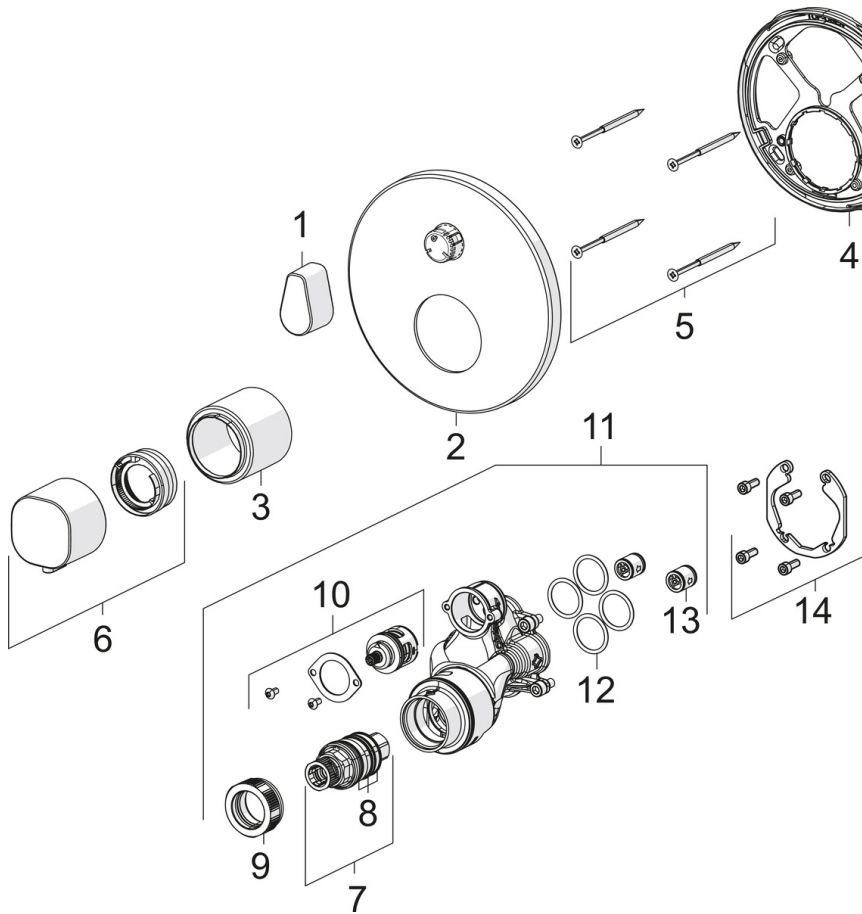
Approvals and Declarations

DVGW **DW-6509CS0197**
 ABP **PA-IX 38188/IDD**
 SVGW **1805-6755**





Spare parts



SP81139552

Name	Code
01 Flow control handle	59914577
02 Cover flange, d 170 mm	59914317
03 Cover sleeve	59914294
04 Fixing part	59914307
05 Screw, M4.5x80	59912890
06 Temperature control handle	59914295
07 Thermostatic cartridge, 3.4	59914114
08 O-ring kit	59914113
09 Tightening nut, M36x1.5, SW38	59914319
10 Diverter and cartridge	59914183
11 Functional unit, (8114, 8862)	59914311
11 Functional unit, (8113, 8861)	59914316
12 O-ring, 23.47x2.62	59914304
13 Non-return valve	59905714
14 Installation kit	59914186
N.I. Raising kit, 15 mm, d 170 mm	59914191
N.I. Adapter, H/C reversed	59914184
N.I. Raising kit, 15 mm	59914182
N.I. Fixing screw, M6x13	59914657
N.I. Diverter, 240°	59914656
N.I. Temperature adjustment limiter, max 38°C	59914619
N.I. Diverter, 120°	59914655