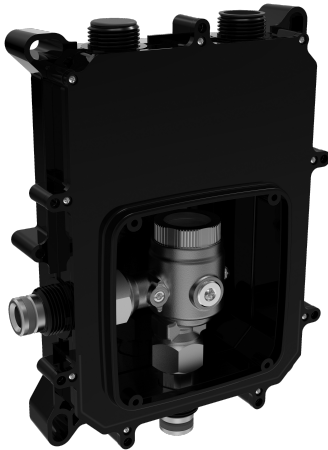


EAN: 4015474277373
static.hansa.com/09450170



- Public & Semi-public
- Concealed unit
- Concealed wall mounting
- Litter filter(s)
- Direct connection, External thread, with integrated shut-off valve(s)
- Gasket sleeve for dry mortarless construction, Mounting box and cover sleeve
- protected against back-flow in domestic use (according to DIN EN 1717)

Technical data

Flow properties

Flow-rate at 3 bar	26.4 l/min
Pressure loss with flow (0.2 l/s)	0.65 bar

Technical properties

DN-size (nominal dimension)	DN15
Hot water supply	max. +70°C
Working pressure	0.5-10 bar
Connection size	G1/2
Material	Brass

