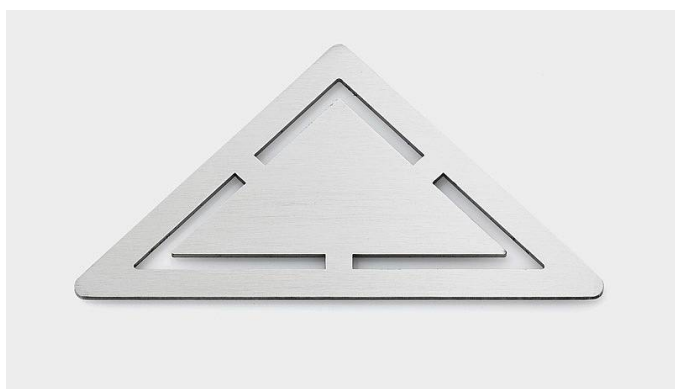


2603.0200

Corner 2600

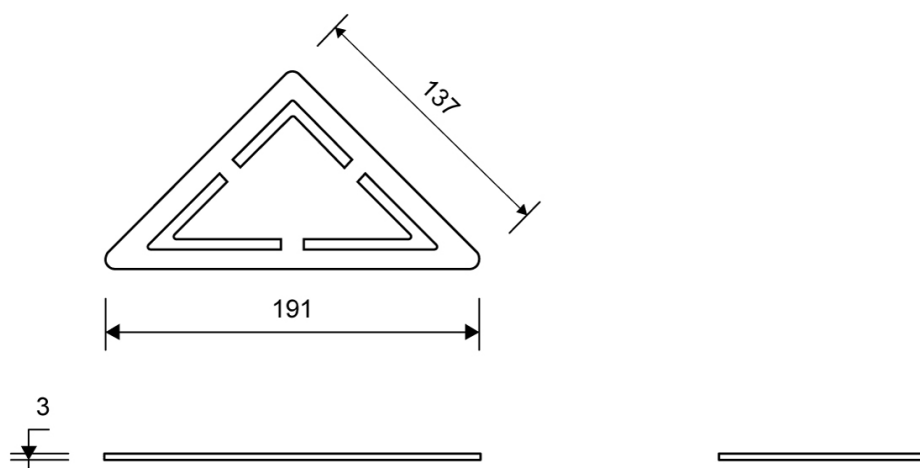
Only for use with ClassicLine frame

To ensure a snug fit, the grating is placed on a countersunk bearing inside the frame.



Specifications

ITEM NUMBER 2603.0200	GTIN NUMBER 5707692009322	WEIGHT INCLUDING PACKAGING 220 g
WEIGHT EXCLUDING PACKAGING 200 g	MATERIAL Stainless steel (AISI 304)	USAGE Corner drain
SURFACE Brushed	LENGTH MODEL 200 mm	DIMENSIONS 3 mm solid



2603.0200

Products