

1950.0300

HighLine | Custom

The set consists of the Custom base, rail, heightener set and screws. The set must be assembled before installation.

Glue your own floor tile to the base, to complete the solution.

The Custom solution is placed directly inside the drain unit. The rail is specially designed to provide a snug fit.

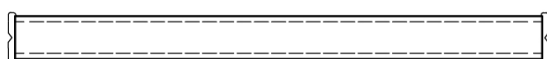
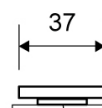
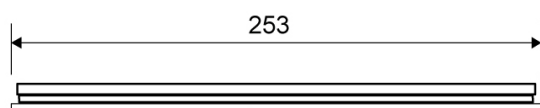
Special glue for adhesion of your own tile and 10 x 6-mm spacers to use for installation are also included.

HighLine products cannot be used with 1004-drain units with side outlet.



Specifications

ITEM NUMBER 1950.0300	GTIN NUMBER 5707692005324	WEIGHT INCLUDING PACKAGING 720 g
WEIGHT EXCLUDING PACKAGING 660 g	MATERIAL Stainless steel (AISI 304)	USAGE Line drain
SURFACE Brushed	LENGTH MODEL 300 mm	HEIGHTENER SET Plastic (PE)
LENGTH WITH/WITHOUT FRAME 253/315 mm		



1950.0300

Products

1950.0700

HighLine | Custom

The set consists of the Custom base, rail, heightener set and screws. The set must be assembled before installation.

Glue your own floor tile to the base, to complete the solution.

The Custom solution is placed directly inside the drain unit. The rail is specially designed to provide a snug fit.

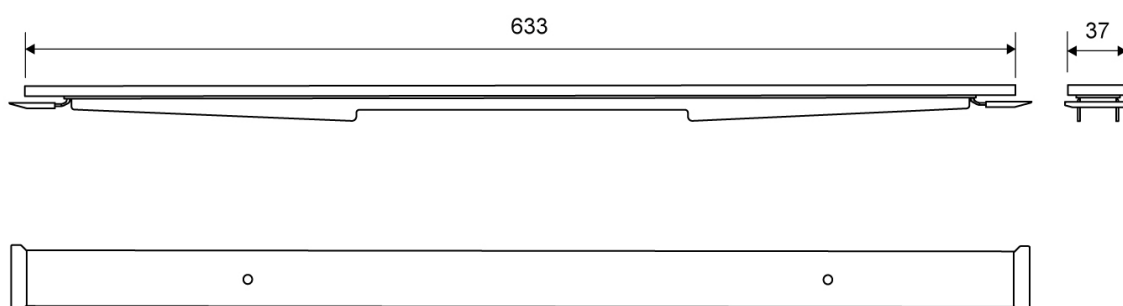
Special glue for adhesion of your own tile and 10 x 6-mm spacers to use for installation are also included.

HighLine products cannot be used with 1004-drain units with side outlet.



Specifications

ITEM NUMBER 1950.0700	GTIN NUMBER 5707692005331	WEIGHT INCLUDING PACKAGING 1580 g
WEIGHT EXCLUDING PACKAGING 1510 g	MATERIAL Stainless steel (AISI 304)	USAGE Line drain
SURFACE Brushed	LENGTH MODEL 700 mm	HEIGHTENER SET Plastic (PE)
LENGTH WITH/WITHOUT FRAME 633/695 mm		



1950.0700

Products

1950.0800

HighLine | Custom

The set consists of the Custom base, rail, heightener set and screws. The set must be assembled before installation.

Glue your own floor tile to the base, to complete the solution.

The Custom solution is placed directly inside the drain unit. The rail is specially designed to provide a snug fit.

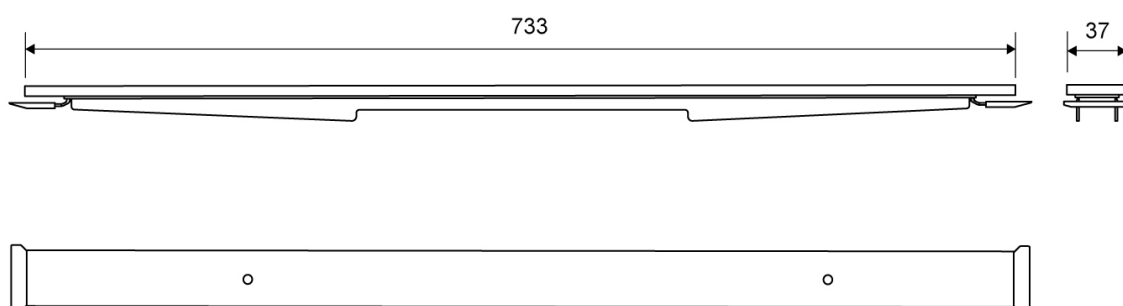
Special glue for adhesion of your own tile and 10 x 6-mm spacers to use for installation are also included.

HighLine products cannot be used with 1004-drain units with side outlet.



Specifications

ITEM NUMBER	GTIN NUMBER	WEIGHT INCLUDING PACKAGING
1950.0800	5707692005348	1810 g
WEIGHT EXCLUDING PACKAGING	MATERIAL	USAGE
1730 g	Stainless steel (AISI 304)	Line drain
SURFACE	LENGTH MODEL	HEIGHTENER SET
Brushed	800 mm	Plastic (PE)
LENGTH WITH/WITHOUT FRAME		
733/795 mm		



1950.0800

Products

1950.0900

HighLine | Custom

The set consists of the Custom base, rail, heightener set and screws. The set must be assembled before installation.

Glue your own floor tile to the base, to complete the solution.

The Custom solution is placed directly inside the drain unit. The rail is specially designed to provide a snug fit.

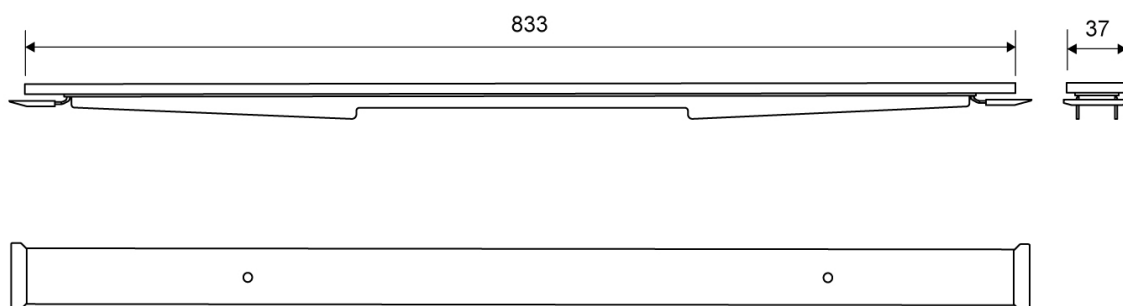
Special glue for adhesion of your own tile and 10 x 6-mm spacers to use for installation are also included.

HighLine products cannot be used with 1004-drain units with side outlet.



Specifications

ITEM NUMBER 1950.0900	GTIN NUMBER 5707692005355	WEIGHT INCLUDING PACKAGING 2060 g
WEIGHT EXCLUDING PACKAGING 1970 g	MATERIAL Stainless steel (AISI 304)	USAGE Line drain
SURFACE Brushed	LENGTH MODEL 900 mm	HEIGHTENER SET Plastic (PE)
LENGTH WITH/WITHOUT FRAME 833/895 mm		



1950.0900

Products

1950.1000

HighLine | Custom

The set consists of the Custom base, rail, heightener set and screws. The set must be assembled before installation.

Glue your own floor tile to the base, to complete the solution.

The Custom solution is placed directly inside the drain unit. The rail is specially designed to provide a snug fit.

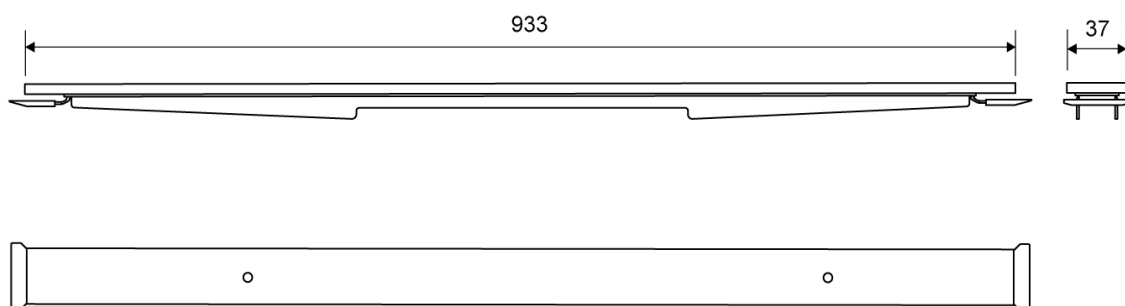
Special glue for adhesion of your own tile and 10 x 6-mm spacers to use for installation are also included.

HighLine products cannot be used with 1004-drain units with side outlet.



Specifications

ITEM NUMBER 1950.1000	GTIN NUMBER 5707692005362	WEIGHT INCLUDING PACKAGING 2310 g
WEIGHT EXCLUDING PACKAGING 2190 g	MATERIAL Stainless steel (AISI 304)	USAGE Line drain
SURFACE Brushed	LENGTH MODEL 1000 mm	HEIGHTENER SET Plastic (PE)
LENGTH WITH/WITHOUT FRAME 933/955 mm		



1950.1000

Products

1950.1200

HighLine | Custom

The set consists of the Custom base, rail, heightener set and screws. The set must be assembled before installation.

Glue your own floor tile to the base, to complete the solution.

The Custom solution is placed directly inside the drain unit. The rail is specially designed to provide a snug fit.

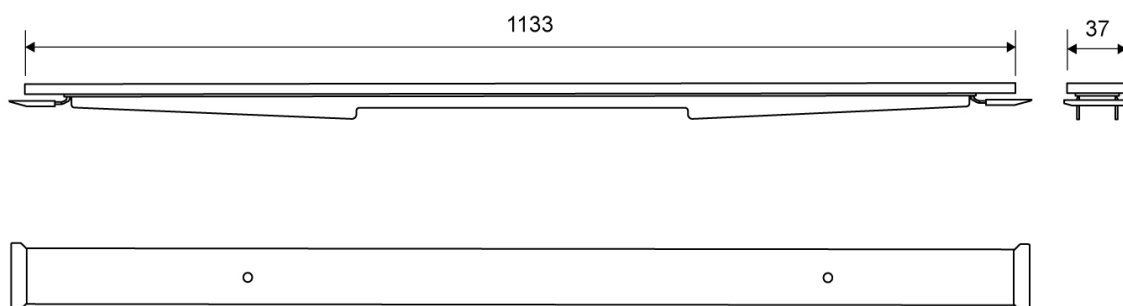
Special glue for adhesion of your own tile and 10 x 6-mm spacers to use for installation are also included.

HighLine products cannot be used with 1004-drain units with side outlet.



Specifications

ITEM NUMBER 1950.1200	GTIN NUMBER 5707692005379	WEIGHT INCLUDING PACKAGING 2810 g
WEIGHT EXCLUDING PACKAGING 2660 g	MATERIAL Stainless steel (AISI 304)	USAGE Line drain
SURFACE Brushed	LENGTH MODEL 1200 mm	HEIGHTENER SET Plastic (PE)
LENGTH WITH/WITHOUT FRAME 1133/1195 mm		



1950.1200

Products