

1850.0075

PLASTIC WATER TRAP | Ø 75 MM

High self-cleaning effect

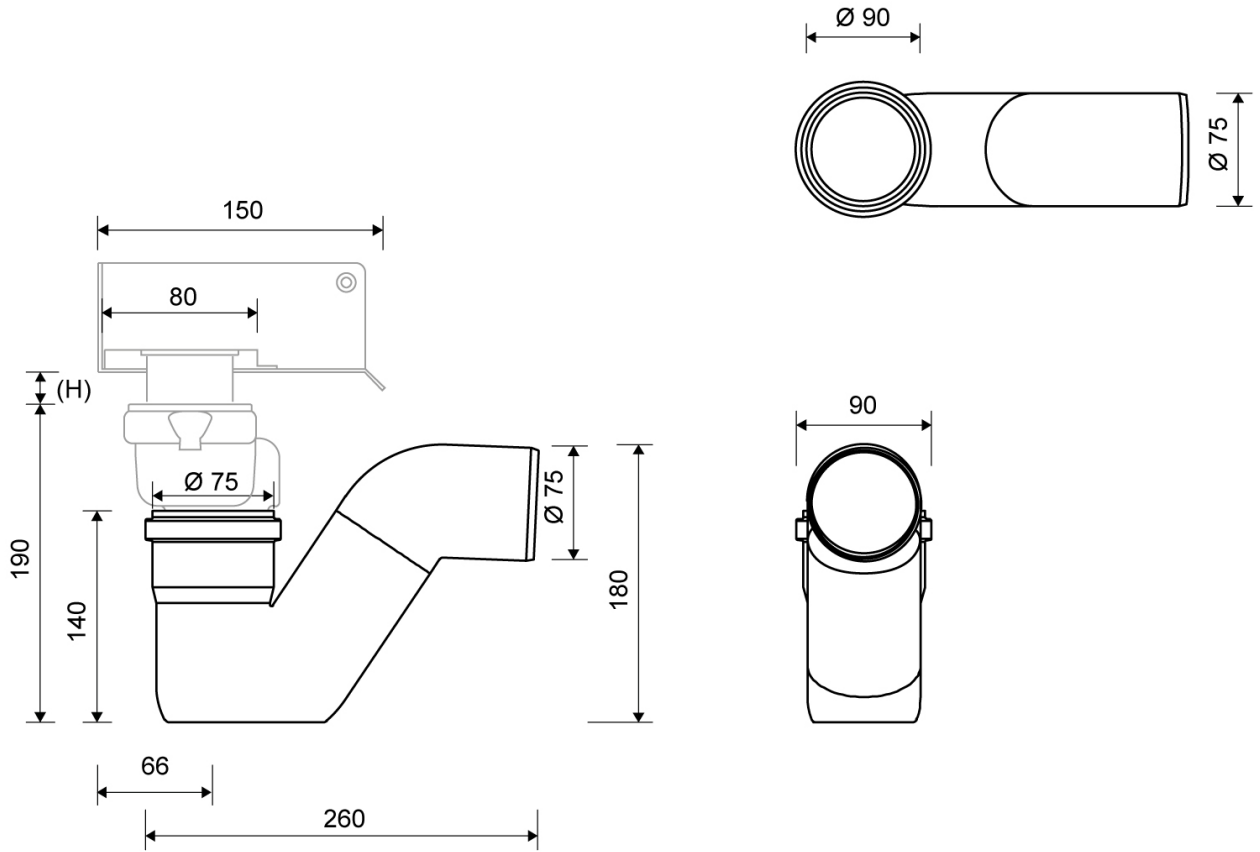
The plastic water trap can be used instead of the removable water trap/odour barrier that comes with some of the drain housings

Worth installing in shower cubicles in frequent use



Specifications

| | | |
|-----------------------------------|-----------------------------------------------|-----------------------------------|
| ITEM NUMBER | GTIN NUMBER | WEIGHT INCLUDING PACKAGING |
| 1850.0075 | 5707692007946 | 472 g |
| WEIGHT EXCLUDING PACKAGING | MATERIAL | USAGE |
| 370 g | Plastic (PP) | Line drain |
| GASKET | FITS | CAPACITY |
| EPDM | 1312.0075, 1412.0075, 1414.0075, 2412.0075 | 1.7 l/s |



1850.0075

Products