

2415.0050

Line 2415 0050

Ø 50 mm horizontal drain

With removable odour barrier with effective self-cleaning effect

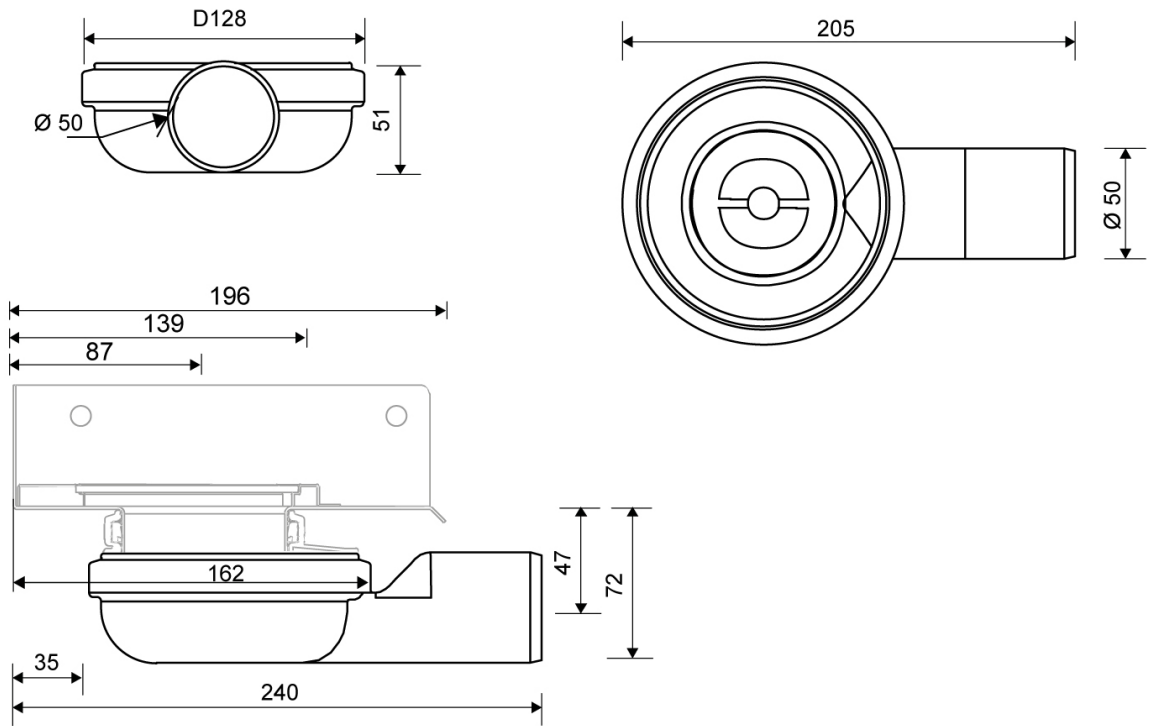
The odour barrier can be removed for cleaning. Can be rotated 360 degrees to facilitate pipework positioning

Note: Odour barrier is VA-approved



Specifications

ITEM NUMBER 2415.0050	GTIN NUMBER 5707692006796	WEIGHT INCLUDING PACKAGING 450 g
WEIGHT EXCLUDING PACKAGING 350 g	MATERIAL Plastic PP	USAGE Corner drain
BARRIER With (odour barrier)	GASKET EPDM	CAPACITY 0.5 l/s
SIDE INLET Without	CONSTRUCTION HEIGHT (CORNER) 72 mm	FITS DRAIN UNIT 2011.0200



2415.0050

Products