

2411.0050

Line 2411.0050

Ø 50 mm horizontal drain

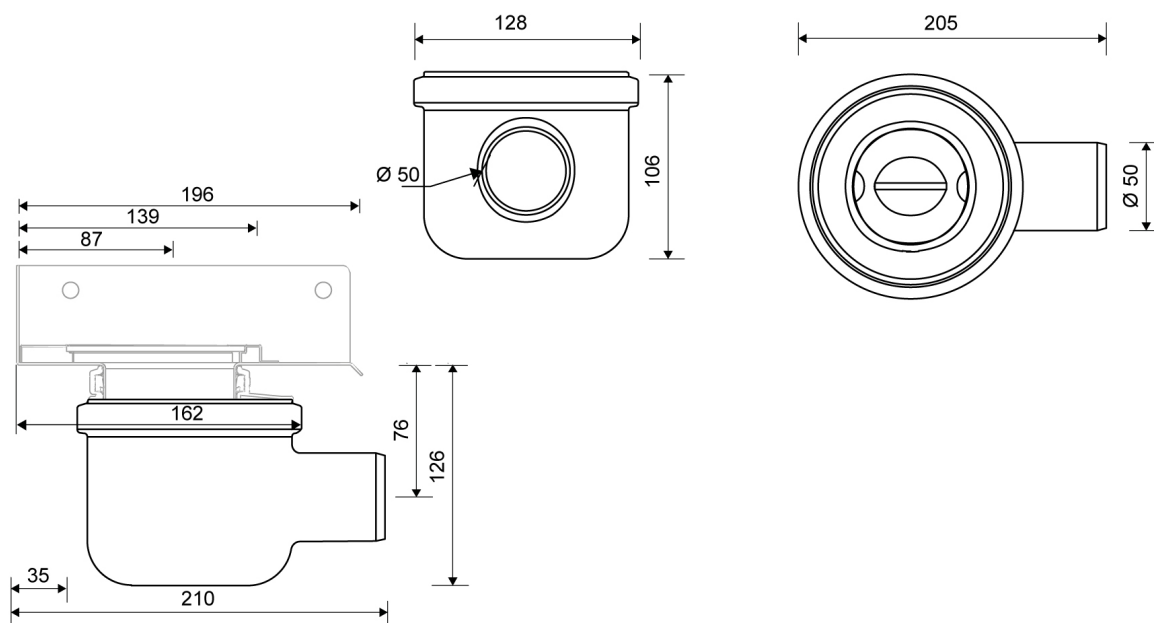
With water trap that can be removed and separated for cleaning

Can be rotated 360 degrees to facilitate pipework positioning



Specifications

| | | |
|-----------------------------------|-------------------------------------|-----------------------------------|
| ITEM NUMBER | GTIN NUMBER | WEIGHT INCLUDING PACKAGING |
| 2411.0050 | 5707692006604 | 5000 g |
| WEIGHT EXCLUDING PACKAGING | MATERIAL | USAGE |
| 4000 g | Plastic PP | Corner drain |
| BARRIER | GASKET | CAPACITY |
| with | EPDM | 0.8 l/s |
| SIDE INLET | CONSTRUCTION HEIGHT (CORNER) | FITS DRAIN UNIT |
| Without | 126 mm | 2011.0200 |



2411.0050

Products