

## 1415.0050

Line 1415.0050

Ø 50 mm horizontal drain

The water trap can be removed and separated for cleaning

Can be rotated 180 degrees if a right- or left-facing outlet is required

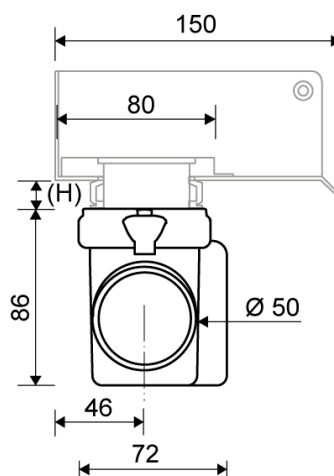
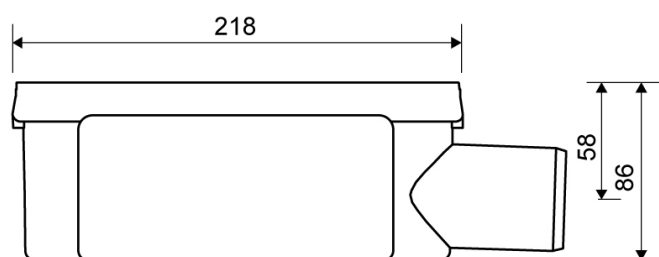
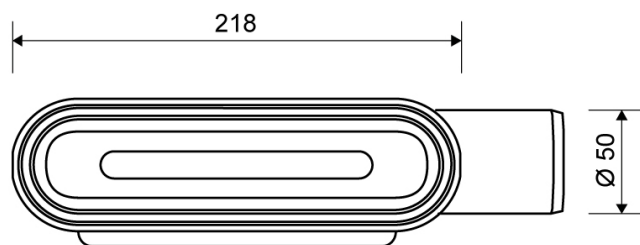


### Specifications

ITEM NUMBER	GTIN NUMBER	WEIGHT INCLUDING PACKAGING
1415.0050	5707692008288	505 g
WEIGHT EXCLUDING PACKAGING	MATERIAL	USAGE
312 g	Plastic (PP)	Line drain
BARRIER	GASKET	CAPACITY
With	EPDM	0.8 l/s
SIDE INLET	CENTER	FITS DRAIN UNIT
Without	58 mm	1001, 1002, 1003, 1004, 1100, 3002, 3004, 5002, 5003

#### FITTING HEIGHTS - LINE FAUCETS 1001, 1002, 1003, 1004

Ø	Outlet direction	300	600	700	800	900	1000	1200
Ø 50 mm	Side outlet	98 mm		103 mm	104 mm	105 mm	106 mm	108 mm



**1415.0050**

Products