

1312.0075

Line 1312.0075

Ø 75 mm vertical drain

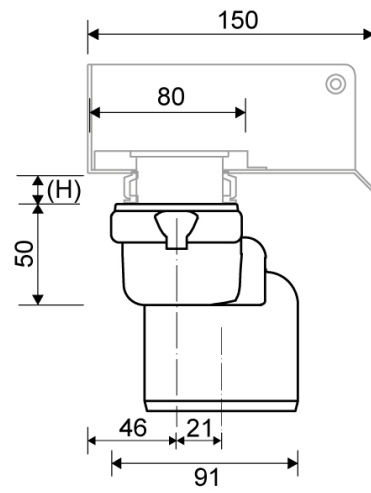
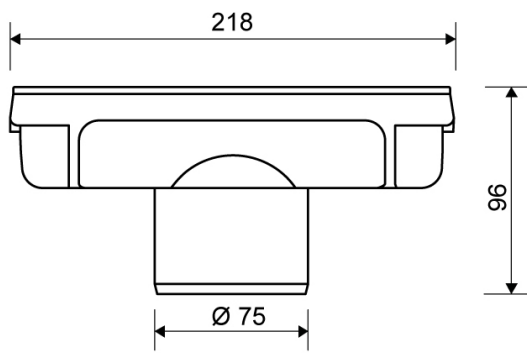
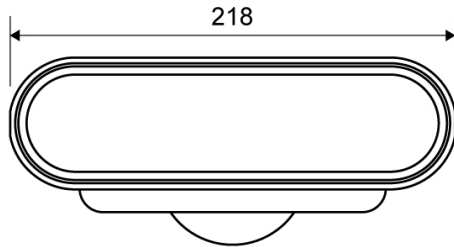


Specifications

ITEM NUMBER 1312.0075	GTIN NUMBER 5707692007939	WEIGHT INCLUDING PACKAGING 440 g
WEIGHT EXCLUDING PACKAGING 400 g	MATERIAL Plastic (PP)	USAGE Line drain
BARRIER Without	GASKET EPDM	CAPACITY 2.5 l/s
SIDE INLET Without	FITS DRAIN UNIT 1001, 1002, 1003, 1004, 1100, 3002, 3004, 5002, 5003	

FITTING HEIGHTS - LINE FAUCETS 1001, 1002, 1003, 1004

Ø	Outlet direction	300	600	700	800	900	1000	1200
Ø 75 mm	Vertical	113 mm		118 mm	119 mm	120 mm	121 mm	123 mm



1312.0075

Products