

# 1003.0700

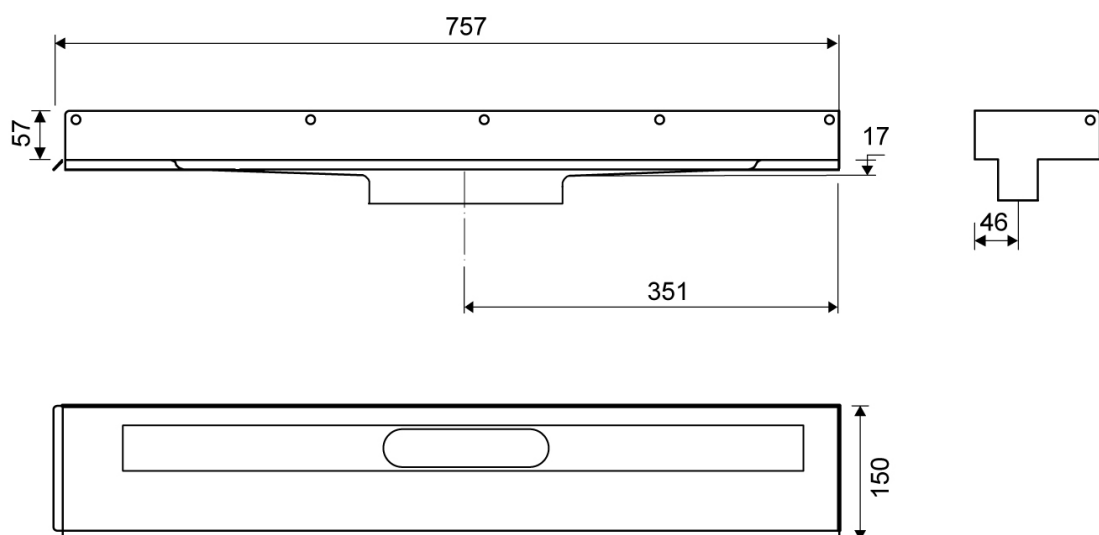
Line 1003

For shower cubicle with open left side, glass screen or similar



## Specifications

ITEM NUMBER	GTIN NUMBER	WEIGHT INCLUDING PACKAGING
1003.0700	5707692003139	2340 g
WEIGHT EXCLUDING PACKAGING	MATERIAL	USAGE
2100 g	1,5 mm stainless steel (AISI 304)	Line drain
SURFACE	MEMBRANE	FLOOR CONSTRUCTION
Pickled	Liquid or sheet membrane	All
FLOORING	MOUNTING	CENTER
Tiles	6 mm plugs 6 mm screws. Torx 20	351 mm
INSTALLATION LENGTH (L)	HEIGHT (H)	LENGTH MODEL
757 mm	17 mm	700 mm



**1003.0700**

Products

# 1003.0800

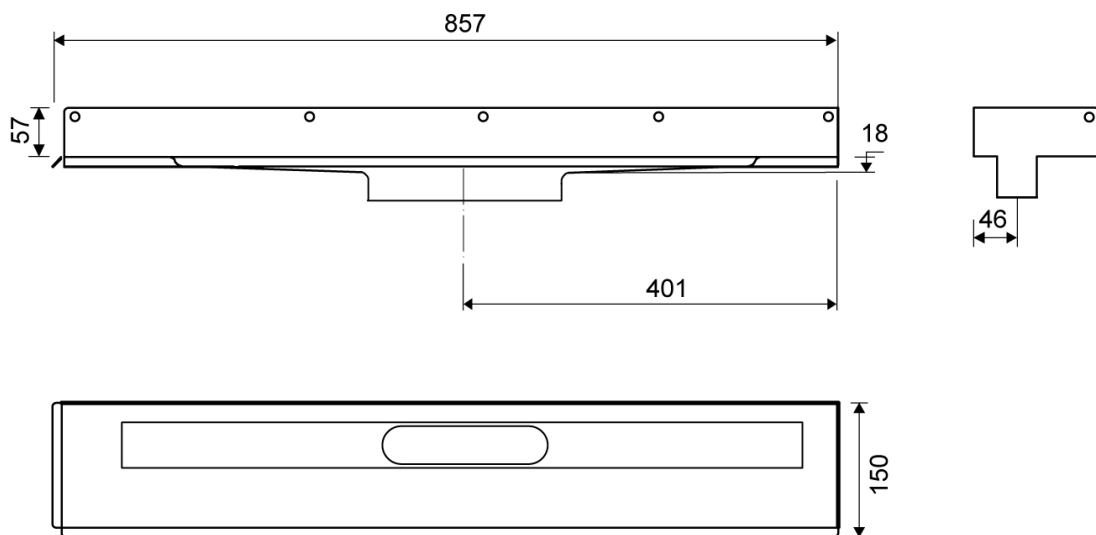
Line 1003

For shower cubicle with open left side, glass screen or similar



## Specifications

<b>ITEM NUMBER</b>	<b>GTIN NUMBER</b>	<b>WEIGHT INCLUDING PACKAGING</b>
1003.0800	5707692003146	2710 g
<b>WEIGHT EXCLUDING PACKAGING</b>	<b>MATERIAL</b>	<b>USAGE</b>
2300 g	1,5 mm stainless steel (AISI 304)	Line drain
<b>SURFACE</b>	<b>MEMBRANE</b>	<b>FLOOR CONSTRUCTION</b>
Pickled	Liquid or sheet membrane	All
<b>FLOORING</b>	<b>MOUNTING</b>	<b>CENTER</b>
Tiles	6 mm plugs 6 mm screws. Torx 20	401 mm
<b>INSTALLATION LENGTH (L)</b>	<b>HEIGHT (H)</b>	<b>LENGTH MODEL</b>
857 mm	18 mm	800 mm



**1003.0800**

Products

# 1003.0900

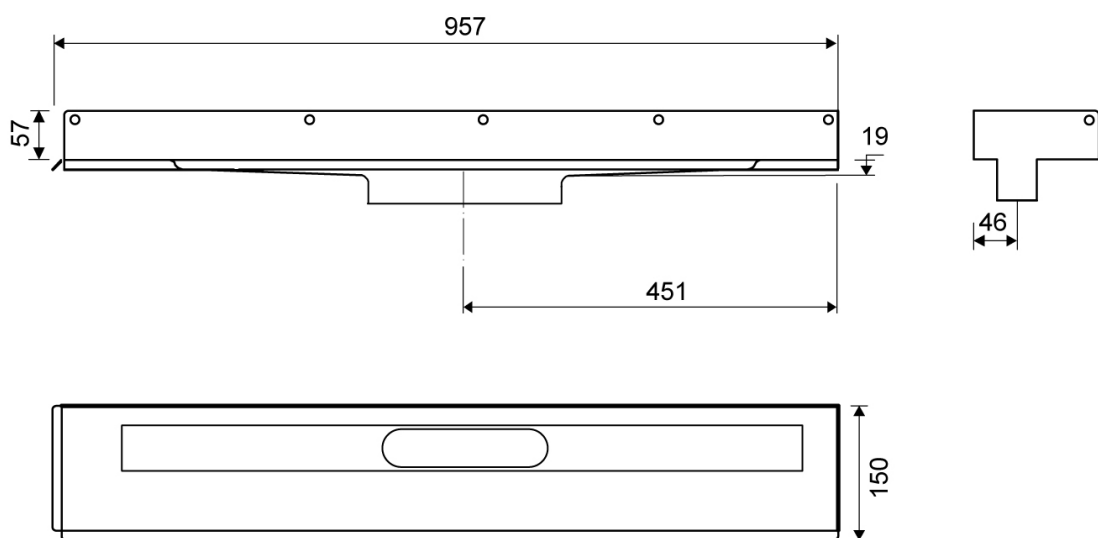
Line 1003

For shower cubicle with open left side, glass screen or similar



## Specifications

<b>ITEM NUMBER</b> 1003.0900	<b>GTIN NUMBER</b> 5707692003153	<b>WEIGHT INCLUDING PACKAGING</b> 2940 g
<b>WEIGHT EXCLUDING PACKAGING</b> 2500 g	<b>MATERIAL</b> 1,5 mm stainless steel (AISI 304)	<b>USAGE</b> Line drain
<b>SURFACE</b> Pickled	<b>MEMBRANE</b> Liquid or sheet membrane	<b>FLOOR CONSTRUCTION</b> All
<b>FLOORING</b> Tiles	<b>MOUNTING</b> 6 mm plugs 6 mm screws. Torx 20	<b>CENTER</b> 451 mm
<b>INSTALLATION LENGTH (L)</b> 957 mm	<b>HEIGHT (H)</b> 19 mm	<b>LENGTH MODEL</b> 900 mm



**1003.0900**

Products

# 1003.1000

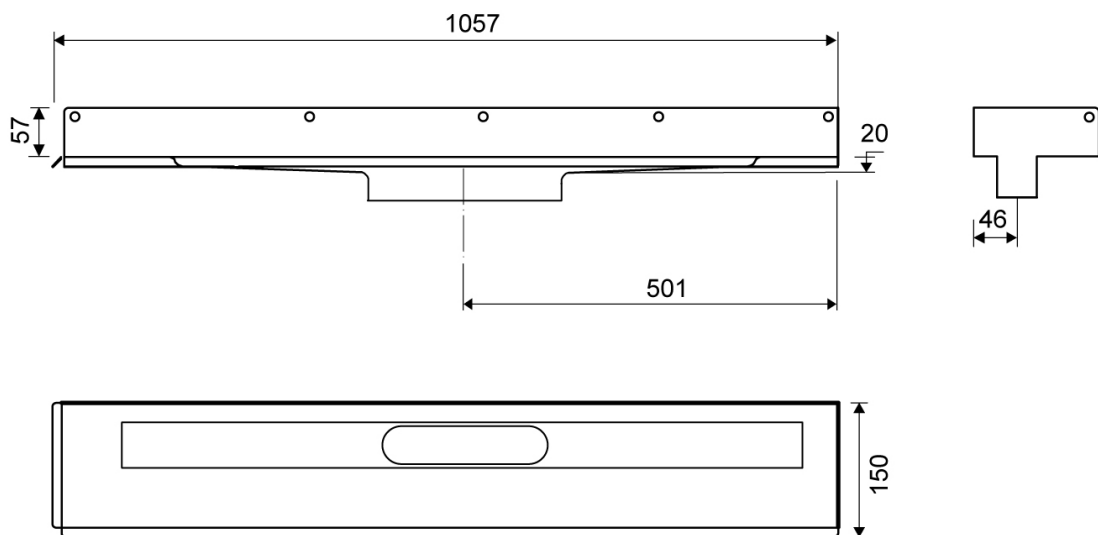
Line 1003

For shower cubicle with open left side, glass screen or similar



## Specifications

<b>ITEM NUMBER</b>	<b>GTIN NUMBER</b>	<b>WEIGHT INCLUDING PACKAGING</b>
1003.1000	5707692003160	3200 g
<b>WEIGHT EXCLUDING PACKAGING</b>	<b>MATERIAL</b>	<b>USAGE</b>
2900 g	1,5 mm stainless steel (AISI 304)	Line drain
<b>SURFACE</b>	<b>MEMBRANE</b>	<b>FLOOR CONSTRUCTION</b>
Pickled	Liquid or sheet membrane	All
<b>FLOORING</b>	<b>MOUNTING</b>	<b>CENTER</b>
Tiles	6 mm plugs 6 mm screws. Torx 20	501 mm
<b>INSTALLATION LENGTH (L)</b>	<b>HEIGHT (H)</b>	<b>LENGTH MODEL</b>
1057 mm	20 mm	1000 mm



**1003.1000**

Products



# 1003.1200

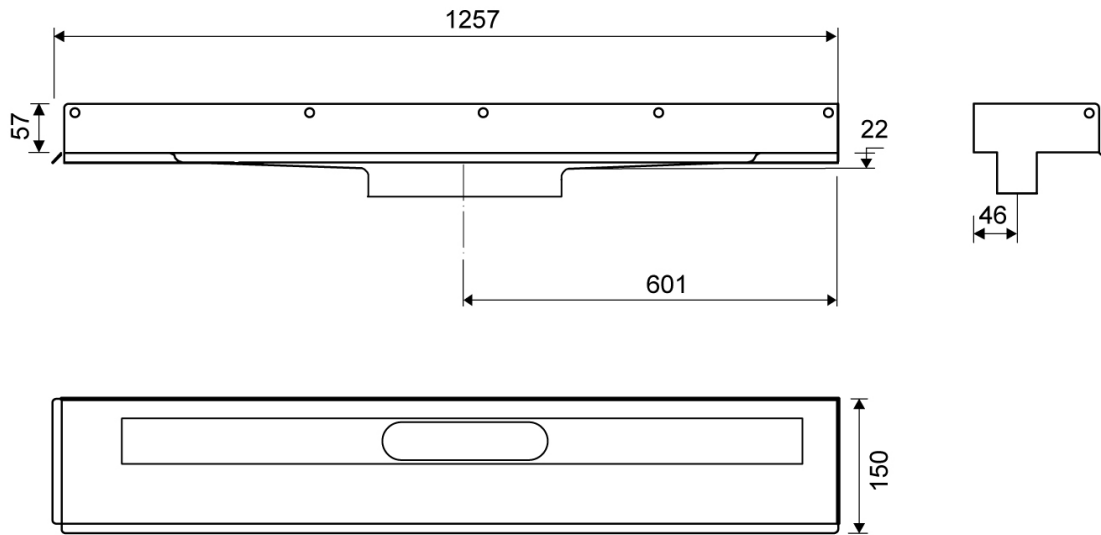
Line 1003

For shower cubicle with open left side, glass screen or similar



## Specifications

<b>ITEM NUMBER</b>	<b>GTIN NUMBER</b>	<b>WEIGHT INCLUDING PACKAGING</b>
1003.1200	5707692003177	3900 g
<b>WEIGHT EXCLUDING PACKAGING</b>	<b>MATERIAL</b>	<b>USAGE</b>
3300 g	1,5 mm stainless steel (AISI 304)	Line drain
<b>SURFACE</b>	<b>MEMBRANE</b>	<b>FLOOR CONSTRUCTION</b>
Pickled	Liquid or sheet membrane	All
<b>FLOORING</b>	<b>MOUNTING</b>	<b>CENTER</b>
Tiles	6 mm plugs 6 mm screws. Torx 20	601 mm
<b>INSTALLATION LENGTH (L)</b>	<b>HEIGHT (H)</b>	<b>LENGTH MODEL</b>
1257 mm	22 mm	1200 mm



**1003.1200**

Products