

Wash trough P181

Art. no. P181
GTIN 7393069021332



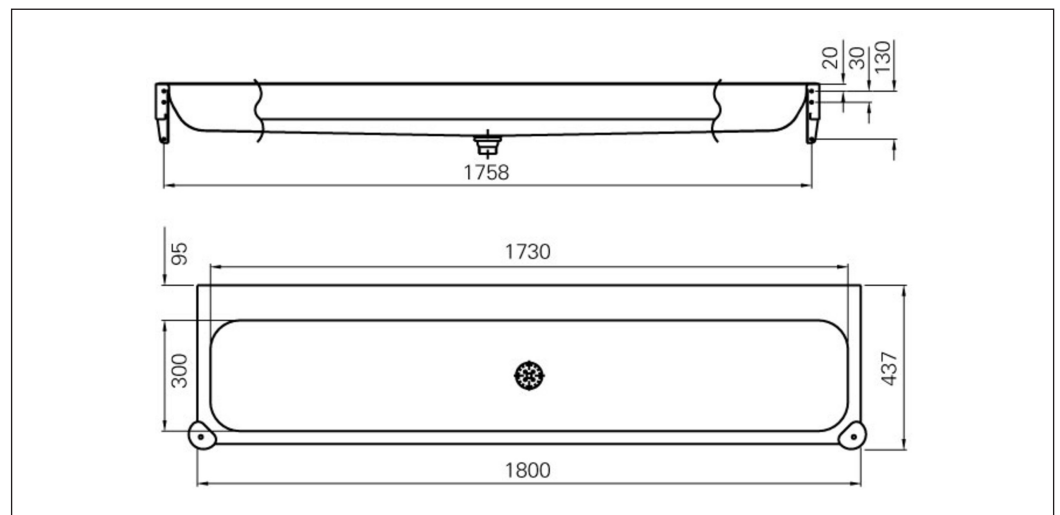
| | |
|----------------------------------|------------------|
| Overall dimension in mm | 1800 x 430 x 140 |
| Depth in mm | 140 |
| Waste hole dim. in mm | 52 |
| Waste hole placement | C |
| Material | AISI 304 |
| Material thickness in mm | 0,9 |
| Installation height in mm | 850 |
| Product load in N | 1000 |
| Gross weight in kg | 13.10 |
| Weight, pallet | 116.70 |
| Pcs per pallet | 7 |

Description

Fully pressed wash trough in stainless steel. Supplied with wall brackets, corner protectors and 1 1/2" grated waste.

Installation

To be installed according to enclosed installation instruction.



Installation P181

ASSEMBLY:

Included in the box:

- * Washing trough bumpers
- * Consoles x 2
- * Valve with dome grate 1 1/4" and 1 1/2"
- * Assembly template

Optional accessories: Wall panel - P18VP

Ensure that you have all the parts before assembly begins. Affix the mounting templates to the wall and ensure that they are level in relation to one another and there is the appropriate distance between them. Pre-drill in accordance with the mounting templates. Mount the brackets onto the wall, and affix the washing trough to the brackets.

If optional wall panels have been selected, these must be mounted onto the wall before the washing trough is slid into place against the wall.

Mounting height 900 mm for adults, 700 – 800 mm for children and 500 mm for young children.

SPARE PARTS:

Valve with dome grate 1 1/4" and 1 1/2": 79136
Wall consoles: ZVEGGFEST-P
Corner protection: BUMPERS
Assembly instructions: 76145
Assembly kit: 76144

INTRA PRODUCTS OF STAINLESS STEEL

In order for your Intra stainless steel product AISI304 to retain its original quality and appearance we

recommend regular cleaning. Use mild soap or cleaning products specifically designed for stainless steel and clean water. Then wipe the surface with a drycloth.

Never use detergents containing chlorine, iodine, fluoride or abrasives on stainless steel.

Also avoid contact with acid solutions and other substances incompatible with stainless steel. Remember that food and skin care products may contain such substances, e.g. ketchup, juice, salt, certain cleansers, nail polish, etc. Promptly remove spills of such products.

Observe the following:

- * Do not allow water or other liquid to dry in. This is to avoid staining the surface.
- * Even though stainless steel can withstand harsh treatment, it can easily be scratched by sharp objects. For products with normal, polished (brushed) finish, this will be very visible when the product is new, but after a period of use, this will be negated as the steel loses its lustre. For products with satin and polished finishes, the scratches will always be visible. Never use scouring powder or steel wool on stainless steel. In addition to scratching the steel, wire wool will leave behind small particles that may develop into rust spots which, over time, may corrode the steel.
- * Stainless steel must not come into contact with, or be in environments containing, chlorine solutions for long periods of time.
- * Silver polish causes stains which cannot be removed.

Wash trough P121

Art. no. P121
GTIN 7393069021325



| | |
|----------------------------------|------------------|
| Overall dimension in mm | 1200 x 430 x 140 |
| Depth in mm | 140 |
| Bowl dim. in mm | 1130 x 300 x 140 |
| Waste hole placement | C |
| Material | AISI 304 |
| Material thickness in mm | 0,9 |
| Installation height in mm | 850 |
| Product load in N | 1000 |
| Gross weight in kg | 9.60 |
| Weight, pallet | 140.20 |
| Pcs per pallet | 12 |

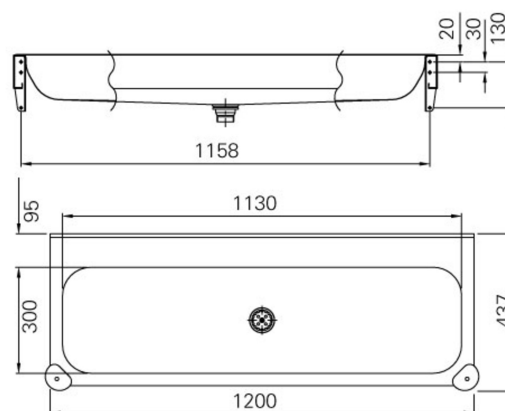
Description

Fully pressed wash trough in stainless steel. Supplied with wall brackets, corner protectors and 1 1/2" grated waste.

Wall panel P12VP is optional

Installation

To be installed according to enclosed installation instruction.



Installation P121

ASSEMBLY:

Included in the box:

- * Washing trough bumpers
- * Consoles x 2
- * Valve with dome grate 1 1/4" and 1 1/2"
- * Assembly template

Optional accessories: Wall panel - P12VP

Ensure that you have all the parts before assembly begins.

Affix the mounting templates to the wall and ensure that they are level in relation to one another and there is the appropriate distance between them. Pre-drill in accordance with the mounting templates. Mount the brackets onto the wall, and affix the washing trough to the brackets.

If optional wall panels have been selected, these must be mounted onto the wall before the washing trough is slid into place against the wall.

Mounting height 900 mm for adults, 700 – 800 mm for children and 500 mm for young children.

SPARE PARTS:

Valve with dome grate 1 1/4" and 1 1/2": 79136
Wall consoles: ZVEGGFEST-P
Corner protection: BUMPERS
Assembly instructions: 76145
Assembly kit: 76144

INTRA PRODUCTS OF STAINLESS STEEL

In order for your Intra stainless steel product AISI304 to retain its original quality and appearance we recommend regular cleaning. Use mild soap or cleaning products specifically designed for stainless steel and clean water. Then wipe the surface with a dry cloth.

Never use detergents containing chlorine, iodine, fluoride or abrasives on stainless steel.

Also avoid contact with acid solutions and other substances incompatible with stainless steel. Remember that food and skin care products may contain such substances, e.g. ketchup, juice, salt, certain cleansers, nail polish, etc. Promptly remove spills of such products.

Observe the following:

- * Do not allow water or other liquid to dry in. This is to avoid staining the surface.
- * Even though stainless steel can withstand harsh treatment, it can easily be scratched by sharp objects. For products with normal, polished (brushed) finish, this will be very visible when the product is new, but after a period of use, this will be negated as the steel loses its lustre. For products with satin and polished finishes, the scratches will always be visible. Never use scouring powder or steel wool on stainless steel. In addition to scratching the steel, wire wool will leave behind small particles that may develop into rust spots which, over time, may corrode the steel.
- * Stainless steel must not come into contact with, or be in environments containing, chlorine solutions for long periods of time.
- * Silver polish causes stains which cannot be removed.

Maintenance P121

Maintenance of Intra products in stainless steel

Congratulations on your purchase of an Intra product that has been produced with care and to a high quality. Many of our products are supplied with a plastic film. This film protects the product during the transport and has to be removed before use.

To keep the original quality of your Intra product in AISI304 stainless steel, we recommend regular cleaning. Use washing up liquid and clean water to clean the product after use. Rinse carefully and dry. Don't forget to clean all loose parts, e.g. the drain grating.

Please have the following in mind

- Don't let water or other liquids dry on the product. In this way you avoid that a grey coating builds up on the steel.
- Stainless steel can stand hard treatment but sharp objects can easily scratch the surface. These scratches are more visible when the product is new. After a period of use these

marks will be smoothed out, without the product losing its lustre.

- Never use scouring powder or steel wool to clean the surface. Apart from the risk of scratches, there is also a risk that rust stains will attack the steel.
- Avoid Chlorine based solutions coming into contact with the stainless steel.
- Silver polish leaves spots that cannot be removed.
- Food-stuffs that contain acid or other substances must quickly be removed (e.g. juices, salt, mustard, mayonnaise).

Discoloration

More stubborn spots are often caused by impurities in the water or household substances. These can be removed with special polish agents for stainless steel. We recommend the use of Intra Shining Kit. Dull spots can become lustrous again if rubbed with chalk on a soft cloth.