

design L+R PALOMBA

1997

5054/42 Twin Set 42

Semi-inset single-hole basin 42 cm

• WITH OVERFLOW • WITH TAP LEDGE

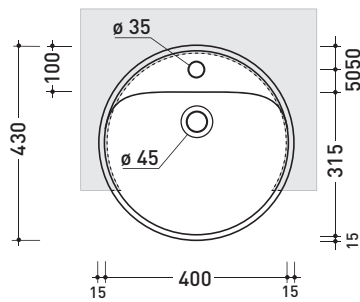
Complements: **Forty6 shelf (F65054/42)**
 Line taps basin: ONE - NOKÈ - FOLD - X1
 Line accessories: TWO - HOOP - NOKÈ - FOLD

Technical accessories: **Chrome siphon (SIFL/CR) - Telescopic chrome siphon (SIFL066)**
Stop & Go drain (PLSG)
Ceramic Stop&Go drain (PLCE)
Two piece set chrome tap filters (RF026)

Package dim. 44 x 20 x 44 cm | Weight 13 kg | Pz. Pallet n° 30

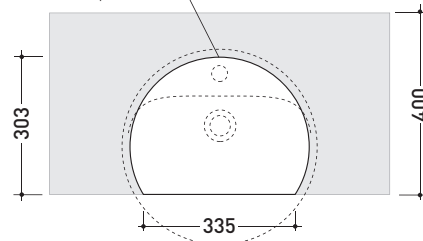
CE UNI EN 14688 - CL20 Dop-No14688

COLOURED WHILE STOCKS LAST



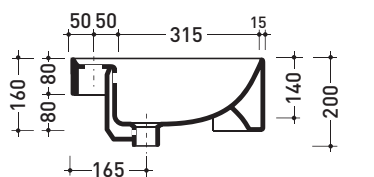
vista zenitale / zenital view

* foro consigliato sul piano ø 395
 suggested hole on the top ø 395



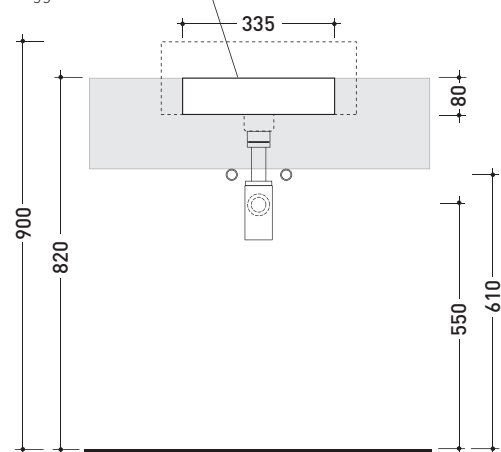
* è obbligatorio utilizzare dima di taglio
 is compulsory use cutting template

vista zenitale / zenital view

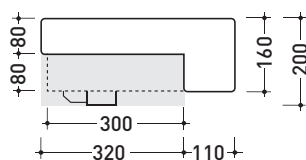


sezione longitudinale / section

* foro consigliato sul fronte
 suggested frontal hole



vista frontale / frontal view



vista laterale / lateral view

sizes in mm

Please consider a 2% tolerance on indicated measurements

CERAMIC: glossy finish

matt finish

FOR THE COLORS MARKED ASK FOR AVAILABILITY



white black



milky white carbone lava grey argilla nuvola fango rosso rubens petrolio