

ORDER FORM

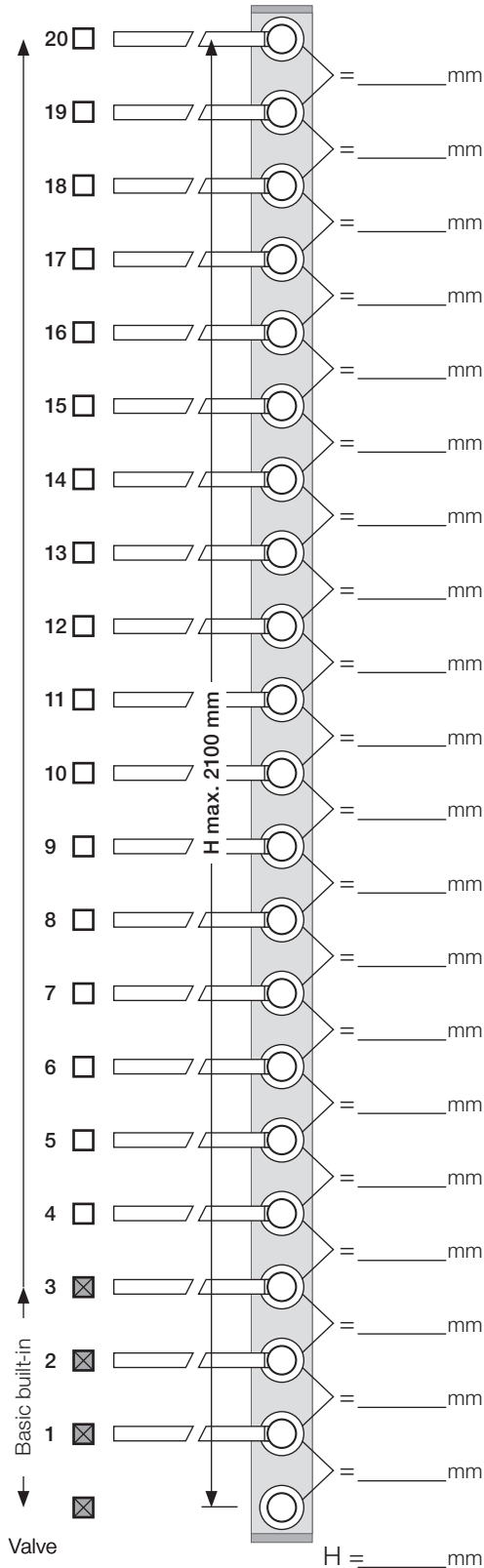
(Firm order cannot be cancelled or returned)

VOLA A/S
Lunavej 2
8700 Horsens
Tlf. 7023 5500
sales@vola.dk
www.vola.com

VOLA T39EL (230V)

1. Select number of bars (mark)
2. Choose center distance (100 - 300 mm)
3. Thickness of tiles
4. Select finish

Basic built-in part: Operating handle + 3 bars.
(Flexible center distance)



Order number: _____

Name of customer: _____

Address: _____

Post code: _____

Tel.: _____

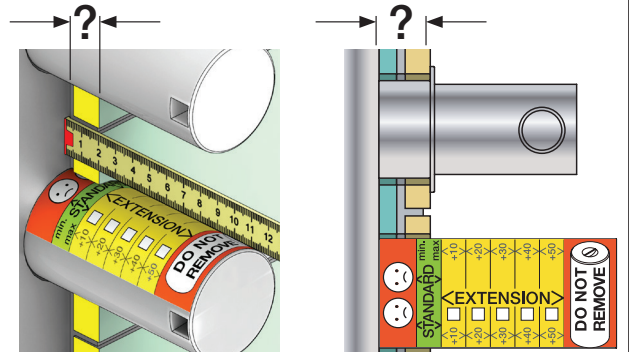
Fax: _____

E-mail: _____

Sales person/vendor: _____

Depth of wall covering/Tiles:

- 15 - 25 mm (std)
- 25 - 35 mm (+10)
- 35 - 45 mm (+20)
- 45 - 55 mm (+30)
- 55 - 65 mm (+40)
- 65 - 75 mm (+50)



Finish:

- | | |
|---|---|
| <input type="checkbox"/> 02 Grey | <input type="checkbox"/> 21 Carmine red |
| <input type="checkbox"/> 04 Light blue | <input type="checkbox"/> 25 Pink |
| <input type="checkbox"/> 05 Orange | <input type="checkbox"/> 27 Matt black |
| <input type="checkbox"/> 06 Light green | <input type="checkbox"/> 28 Matt white |
| <input type="checkbox"/> 08 Yellow | <input type="checkbox"/> 40 Brushed stainless steel |
| <input type="checkbox"/> 09 Dark grey | <input type="checkbox"/> 60 Black |
| <input type="checkbox"/> 12 Mocca | <input type="checkbox"/> 61 Brushed black |
| <input type="checkbox"/> 14 Bright red | <input type="checkbox"/> 62 Deep black |
| <input type="checkbox"/> 15 Dark blue | <input type="checkbox"/> 63 Copper |
| <input type="checkbox"/> 16 Polished chrome | <input type="checkbox"/> 64 Brushed copper |
| <input type="checkbox"/> 17 Gloss black | <input type="checkbox"/> 65 Gold |
| <input type="checkbox"/> 18 White | <input type="checkbox"/> 68 Nickel |
| <input type="checkbox"/> 19 Natural brass | <input type="checkbox"/> 70 Brushed gold |
| <input type="checkbox"/> 20 Brushed chrome | |

Exclusive Colors

Power cable:

- 3 m. Cable (Standard)
- 10 m. Cable

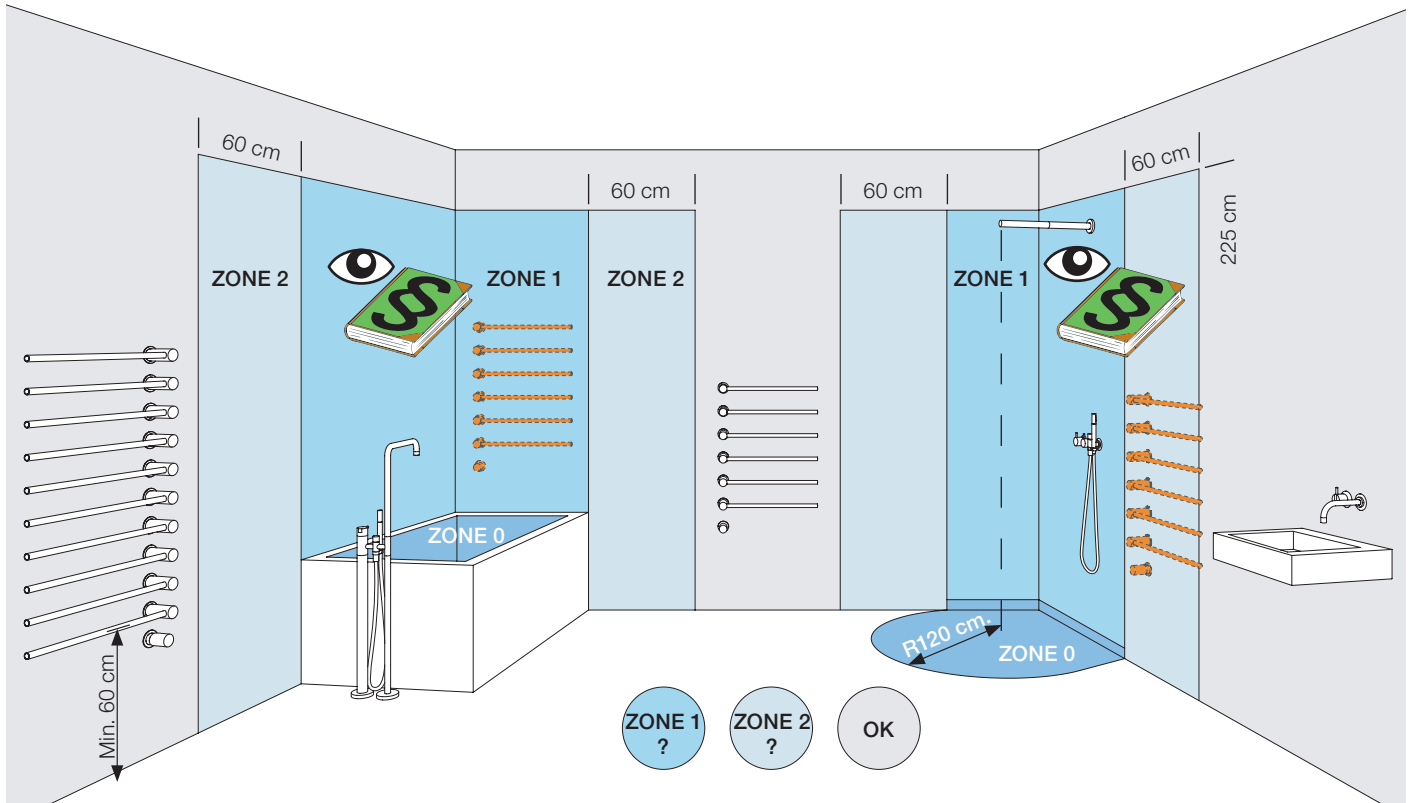
Customer signature/Date: _____

Planning guide

VOLA T39EL (230V)

Towel warmer – electric.
 With step-less temperature regulation between 20 and 50 degrees C.
 Self-closing timer setting after two hours at full power (50 degrees C).
 Power consumption: 10W per bar.
 Supplied with 3 metres of cable H05VV-F (for built-in part).
 Must be installed by a qualified electrician.

VOLA A/S
 Lunavej 2
 8700 Horsens
 Tlf. 7023 5500
 sales@vola.dk
 www.vola.com



IPX4

230V~ 10W/

115V~ 10W/

0	1	2	3	4	⌚
OFF	20°C	30°C	40°C	50°C	50°C
	68°F	86°F	104°F	122°F	122°F

