

2850.0202

Line 2850

Designed for insertion in tile joint or screw mounting into existing shower cubicle.

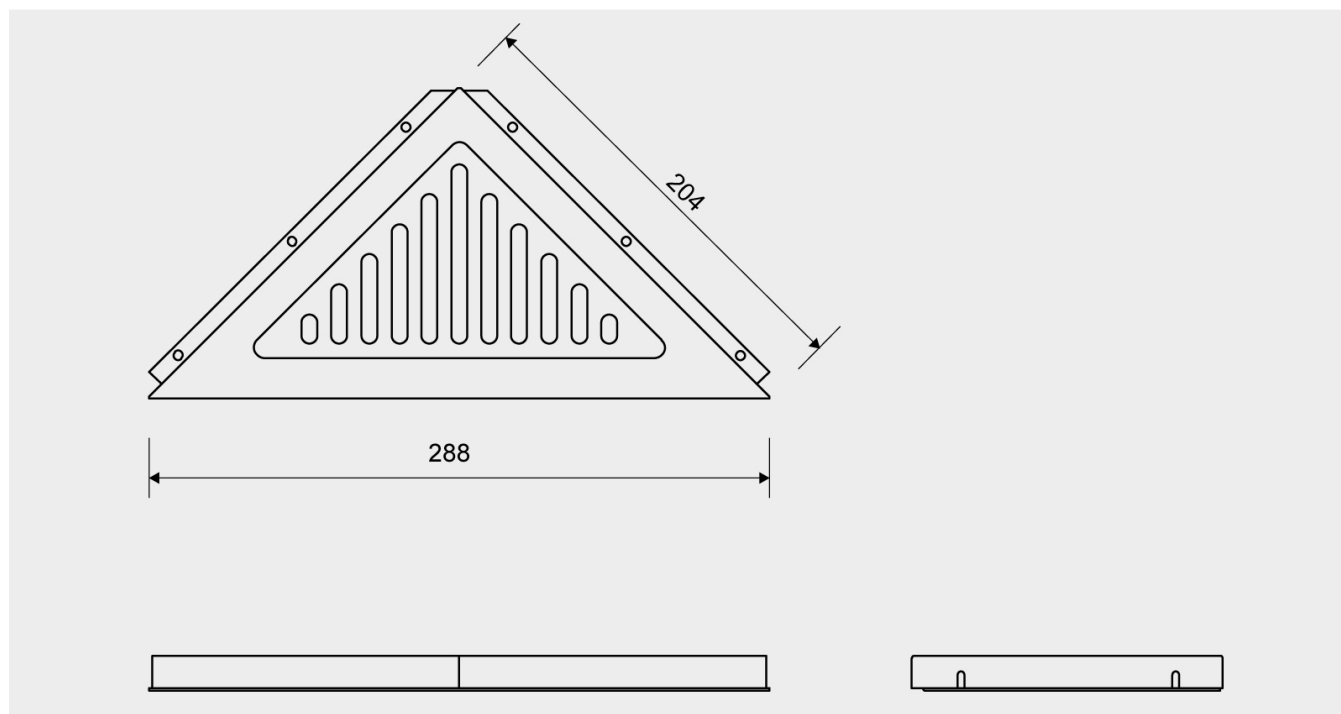
Soap shelf incl. grating and mounting set

For corner mounting only



Specifications

ITEM NUMBER	GTIN NUMBER	WEIGHT INCLUDING PACKAGING
2850.0202	5707692006390	500 g
WEIGHT EXCLUDING PACKAGING	MATERIAL	USAGE
400 g	Stainless steel (AISI 304)	Wall
SURFACE		
Brushed		



2850.0202

Products