

EAN: 4057304014154
static.hansa.com/65412009



- Public & Semi-public
- Touchless, Bluetooth®, Plug transformer
- Deck mounted
- Chrome
- Fixed spout
- Hidden aerator
- Temperature control handle
- Adjustable hot water stop (included, retrofittable)
- Mixing valve for manual temperature control, Non-return valve(s), Litter filter(s)
- Autofocus infrared sensor, Solenoid valve, Power supply
- Flexible inlet pipes
- Software settings adjustable via App
- Without pop-up waste, Without draw-rod opening

Technical data

Flow properties

Flow-rate at 3 bar (with flow controller) **4.8 l/min**

Technical properties

DN-size (nominal dimension) **DN15**
 Hot water supply **max. +70°C**
 Working pressure **0.5-10 bar**
 Connection size **G3/8**
 Projection **85 mm**
 Backflow prevention (EN1717) **AA**
 Material **Brass/Plastic**

Software settings

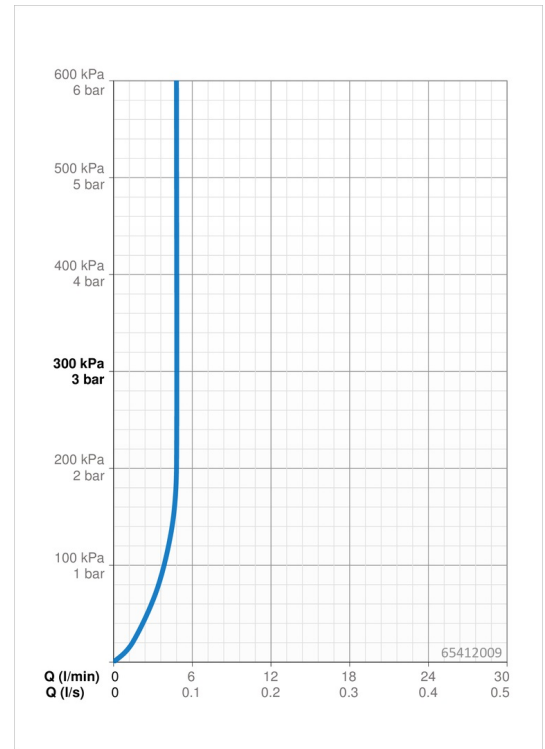
Afterflow period **3 s (1-20 s)**
 Automatic flush **off (off/1-120 h)**
 Automatic flush period **30 s (1-1800 s)**
 Max. flow period **2 min (1 - 1800 s)**

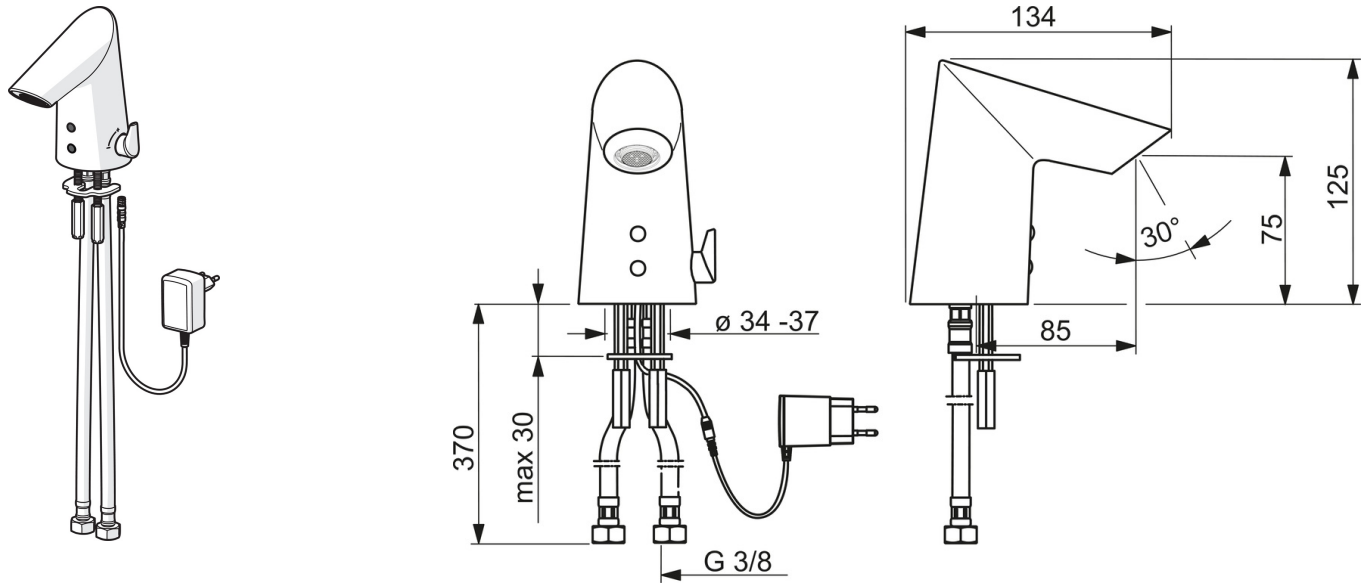
Electronic properties

Electrical Connection **230 / 9 V**
 Bluetooth version **4.x**

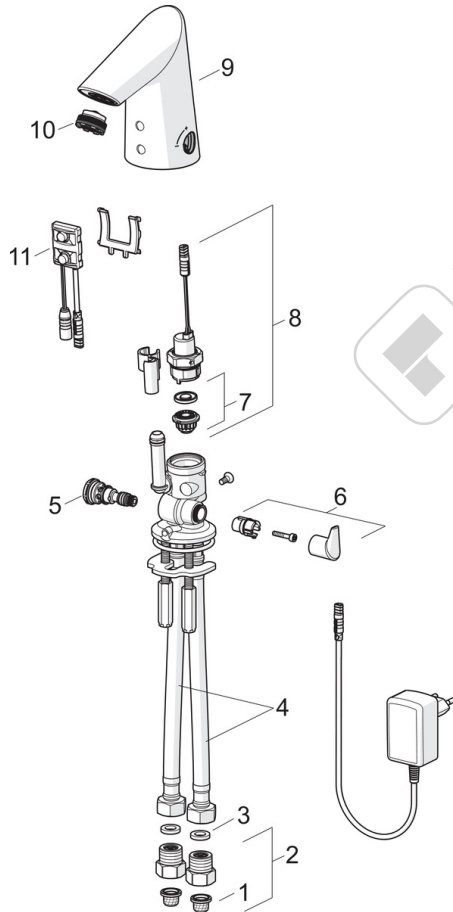
Regulations

EU Directives **C € 2014/53/EU, 2011/65/EU**
 EN standard **EN 15091**
 Protection class **IP 55 / transformer IP 20**





Spare parts



SP65412000

	Name	Code
01	Litter filters	59914085
02	One-way valve with litter screen	59914086
03	Gasket, 8x14.3x2	59914087
04	Flexible pipe, L=375, G3/8-M10x1	59914095
05	Temperature regulator	59914089
06	Temperature control handle	59914092
07	Membrane for solenoid valve	1006500V
07	Membrane support ring Discontinued	59914090
08	Solenoid valve	59914091
09	Spout	59914589
10	Aerator, M21.5x1, 5 l/min	59914094
11	Sensor, 12 V Discontinued	59914098
11	Sensor, 6/9/12 V Bluetooth	59914567
N.I.	Limiter	59914106

EAN: 4057304015649
static.hansa.com/65412079



- Public & Semi-public
- Touchless, External transformer, Bluetooth®
- Deck mounted
- Chrome
- Fixed spout
- Hidden aerator
- Temperature control handle
- Adjustable hot water stop (included, retrofittable)
- Mixing valve for manual temperature control, Non-return valve(s), Litter filter(s)
- Autofocus infrared sensor, Solenoid valve
- Flexible inlet pipes
- Software settings adjustable via App
- Without transformer, Without pop-up waste, Without draw-rod opening

Technical data

Flow properties

Flow-rate at 3 bar (with flow controller)	4.8 l/min
Pressure loss with flow (0.1 l/s)	2 bar

Technical properties

Hot water supply	max. +70°C
Working pressure	0.5-10 bar
Connection size	G3/8
Projection	85 mm
Backflow prevention (EN1717)	AA
Material	Brass/Plastic

Software settings

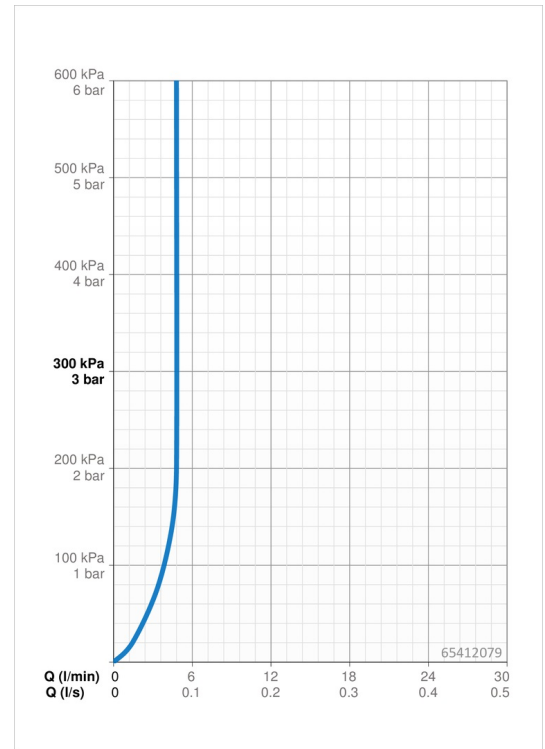
Afterflow period	3 s (1-20 s)
Automatic flush	off (off/1-120 h)
Automatic flush period	30 s (1-1800 s)
Max. flow period	2 min (1 - 1800 s)

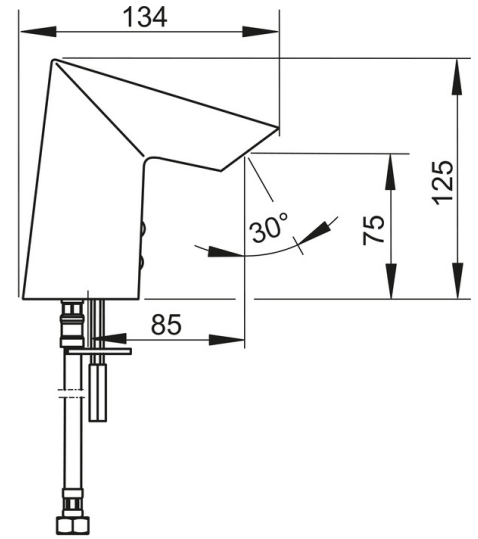
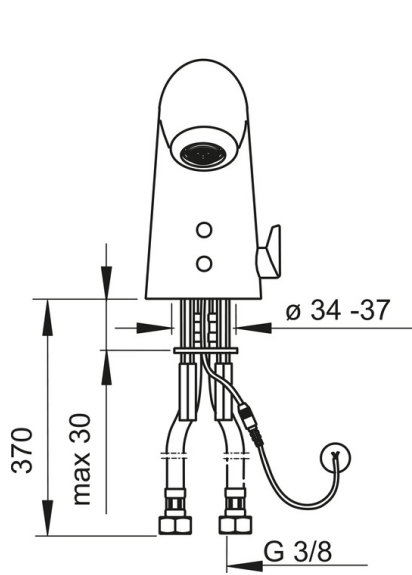
Electronic properties

Electrical Connection	9 / 12 V
Bluetooth version	4.x

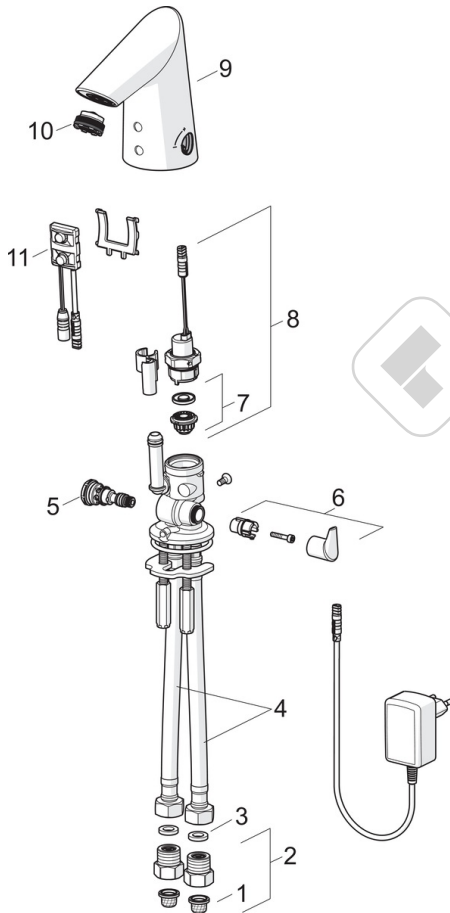
Regulations

EU Directives	C € 2014/53/EU, 2011/65/EU
EN standard	EN 15091
Noise class	I (ISO 3822)
Protection class	IP 55





Spare parts



SP65412000

	Name	Code
01	Litter filters	59914085
02	One-way valve with litter screen	59914086
03	Gasket, 8x14.3x2	59914087
04	Flexible pipe, L=375, G3/8-M10x1	59914095
05	Temperature regulator	59914089
06	Temperature control handle	59914092
07	Membrane for solenoid valve	1006500V
07	Membrane support ring Discontinued	59914090
08	Solenoid valve	59914091
09	Spout	59914589
10	Aerator, M21.5x1, 5 l/min	59914094
11	Sensor, 12 V Discontinued	59914098
11	Sensor, 6/9/12 V Bluetooth	59914567
N.I.	Limiter	59914106



HANSAFIT
WASHBASIN FAUCET, 6 V, BLUETOOTH
65412219
EAN: 4057304014147



- Bathroom, Public & Semi-public
- Touchless, Bluetooth®, Battery-operated
- Chrome
- Fixed spout, Casted construction
- Hidden aerator
- Brass/Plastic
- Temperature control handle
- Adjustable hot water stop (retrofitable)
- Mixing valve for manual temperature control, Non-return valve(s), Litter filter(s)
- Autofocus infrared sensor, Solenoid valve, Low battery indicator
- Flexible inlet pipes
- Settings adjustable via App
- Faucet is GGT-approved user test GOOD

Technical data

Flow properties

Flow-rate at 3 bar (with flow controller)

4.8 l/min

Technical properties

DN-size (nominal dimension)
Hot water supply
Connection size

DN15
max. +70°C
G3/8

Software settings

Afterflow period
Automatic flush
Automatic flush period
Max. flow period

3 s (1-20 s)
off (off/1-120 h)
30 s (1-1800 s)
2 min (1 - 1800 s)

Electronic properties

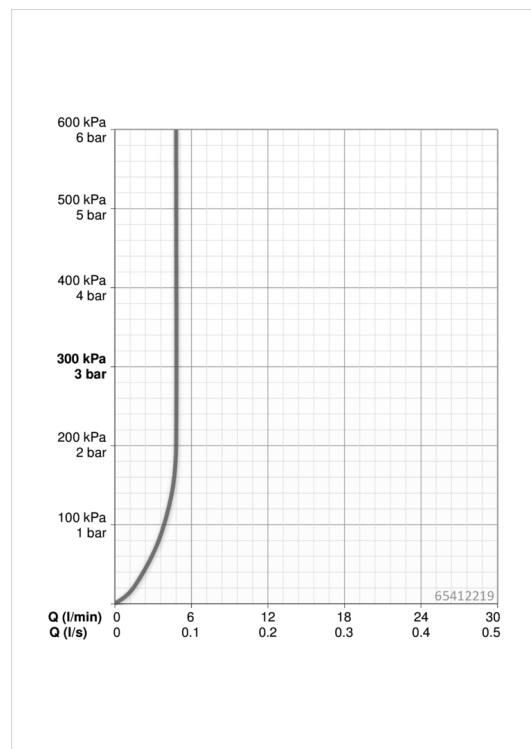
Battery

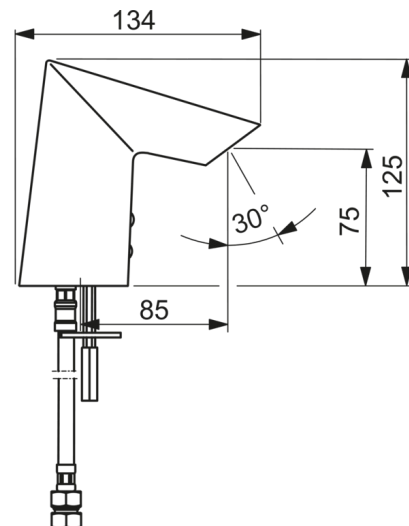
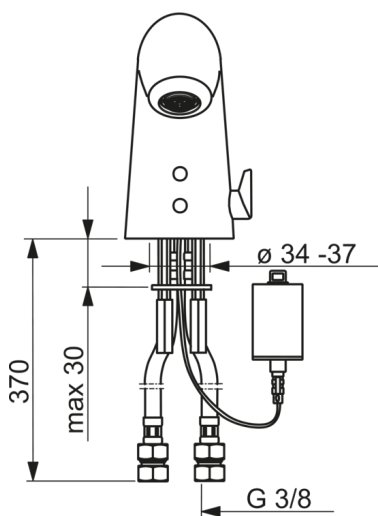
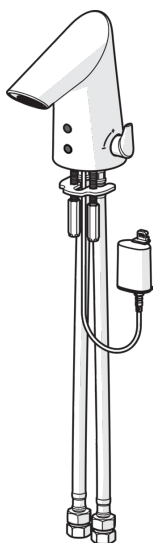
Lithium 2CR5 6 V

Regulations

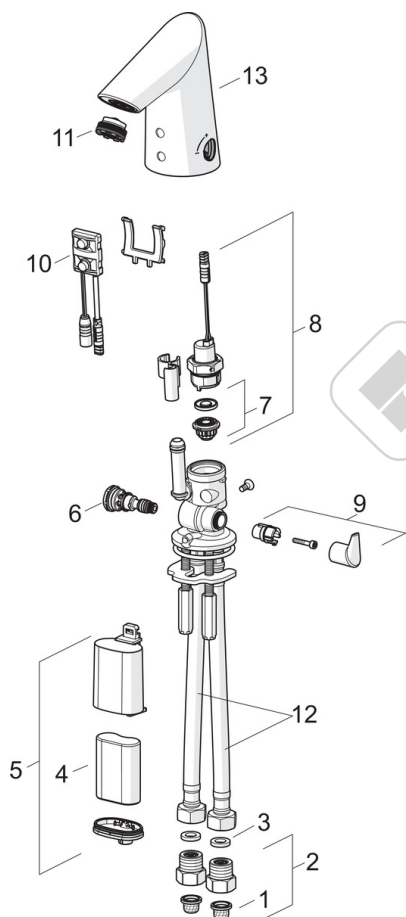
EMC Directive
EN standard
Noise class
Protection class

CE 2014/30/EU
EN 15091
I (ISO 3822)
IP 55





Spare parts



SP65412210

Name	Code
01 Litter filters	59914085
02 One-way valve with litter screen	59914086
03 Gasket, 8x14.3x2	59914087
04 Battery, 2CR5 6 V	59911670
05 Battery casing	59914088
06 Temperature regulator	59914089
07 Membrane support ring	59914090
08 Solenoid valve	59914091
09 Temperature control handle	59914092
10 Sensor, 6 V	59914093
10 Sensor, 6/9/12 V Bluetooth	59914567
11 Aerator, M21,5 x 1,5 l/min	59914094
12 Flexible pipe, L=375, G3/8-M10x1	59914095
13 Spout	59914589