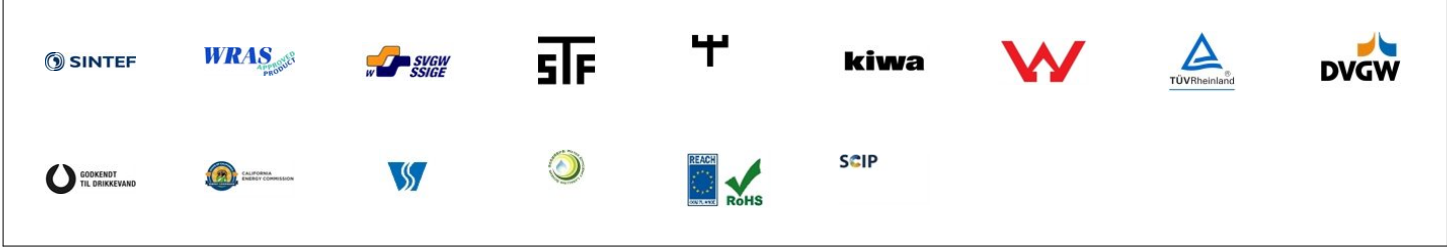


--

Date:

Client:

Project:



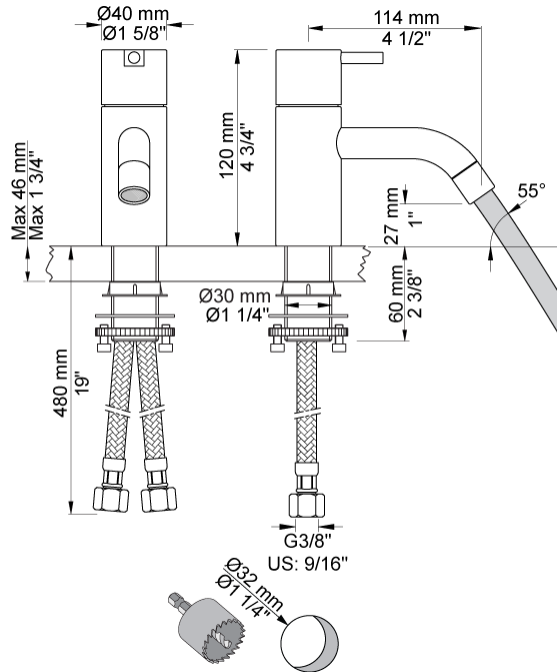
HV1

One-handle mixer with ceramic disc technology, fixed spout with water saving aerator. Height 120 mm. Pipe size: 3/8". Hole cut out size: 32 mm.

Flow

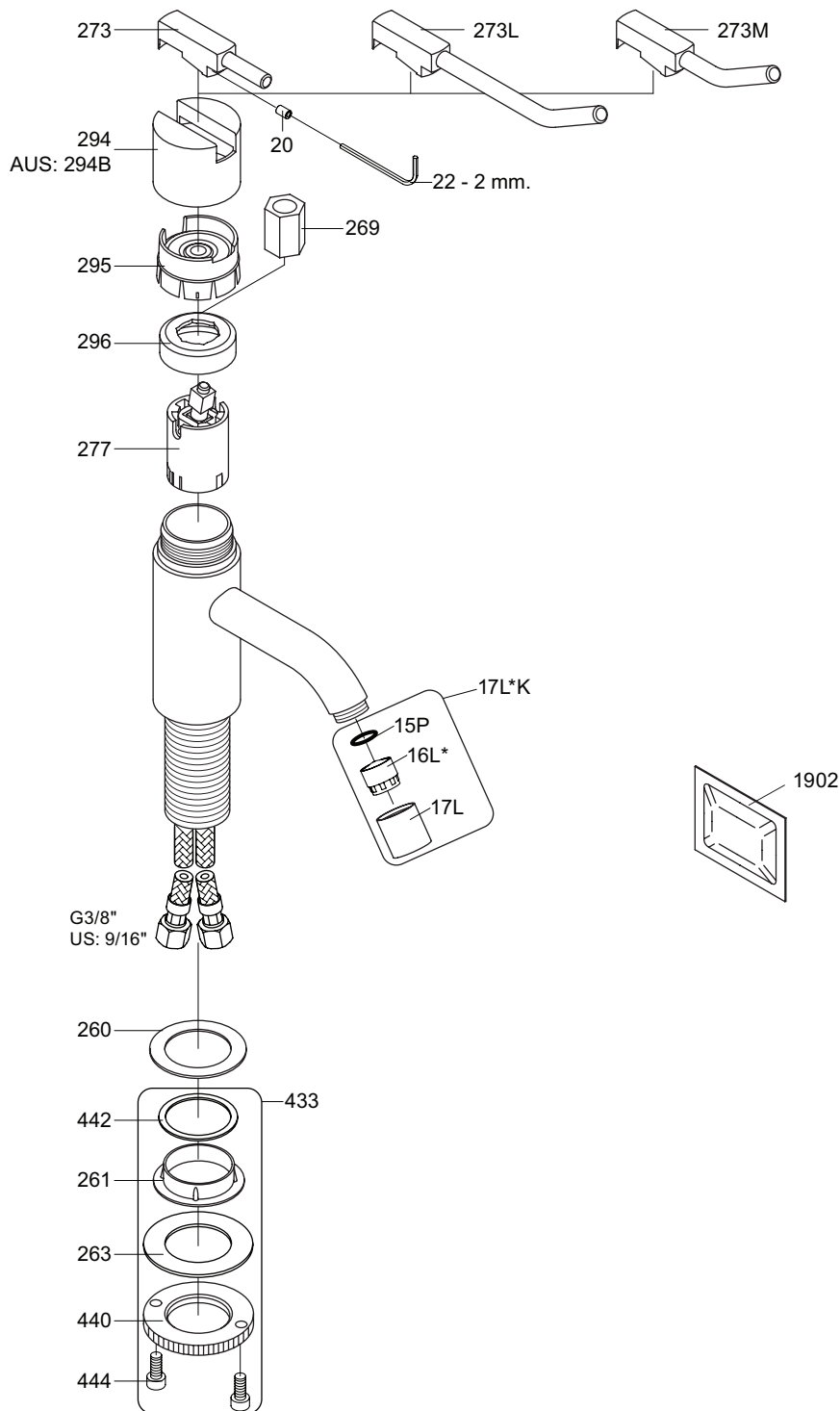
	Bar:	1.0	2.0	3.0	4.0	5.0
HV1	(l/min)	2.9	4.1	5.0	5.0	5.0
HV1 ¹⁾	(l/min)	2.6	3.7	4.5	4.5	4.5

¹⁾ USA standard

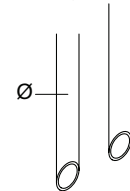


Available in colors

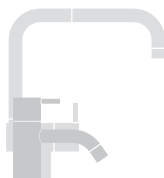
	Color 20, Brushed chrome
Color 02, Grey	Color 21, Carmine red
Color 04, Light blue	Color 25, Pink
Color 05, Orange	Color 27, Matt black
Color 06, Light green	Color 28, Matt white
Color 08, Yellow	Color 40, Brushed stainless steel
Color 09, Dark grey	Color 60, Black
Color 12, Mocca	Color 61, Brushed black
Color 14, Bright red	Color 63, Copper
Color 15, Dark blue	Color 64, Brushed Copper
Color 16, Polished chrome	Color 65, Gold
Color 17, Gloss black	Color 68, Nickel
Color 18, White	Color 70, Brushed Gold
Color 19, Natural brass	



HV1: Ø10
 HV1JP: Ø10
 HV1US: Ø3/8"
 HV1Q: Ø3/8"



- VR277K: VR22, VR269, VR277
- *VR17L4K: VR15P, VR16L4, VR17L (US-Standard)
- *VR17L5K: VR15P, VR16L5, VR17L (Standard)
- *VR17L9K: VR15P, VR16L9, VR17L (Japan Standard)
- *VR17LSK: VR15P, VR16LS, VR17L
- VR297/L/M: VR20, VR22, VR269, VR273/L/M, VR277, VR294, VR295, VR296
- VR433: VR261, VR263, VR440, VR442, 2xVR444
- NR.10/L/M: VR20, VR22, VR273/L/M, VR294, VR295



vola
 Lunavej 2
 DK-8700 Horsens
 Tlf : + 45 7023 5500
 sales@vola.com
 www.vola.com

HV1 Family:

HV1: 150, +30, +30/150, +170, +170/150
 HV1L: 150, +30, +30/150, +170, +170/150
 HV1M: 150, +30, +30/150, +170, +170/150

Date
 Jan. 23

Rev.
 7

Sheet
SB 21.1