

EAN: 6414150078613  
[static.oras.com/1010F-105](http://static.oras.com/1010F-105)



- Green Building
- Single-lever, Green Building
- Deck mounted
- Chrome
- Standard aerator
- Single operating lever/handle, Hot/Cold symbols
- Chain holder without chain
- Limitation option for maximum temperature and flow-rate
- $\varnothing$  40 mm ceramic cartridge for flow and temperature control
- Flexible inlet pipes
- 3S-installation system for safe and simple mounting

## Technical data

### Flow properties

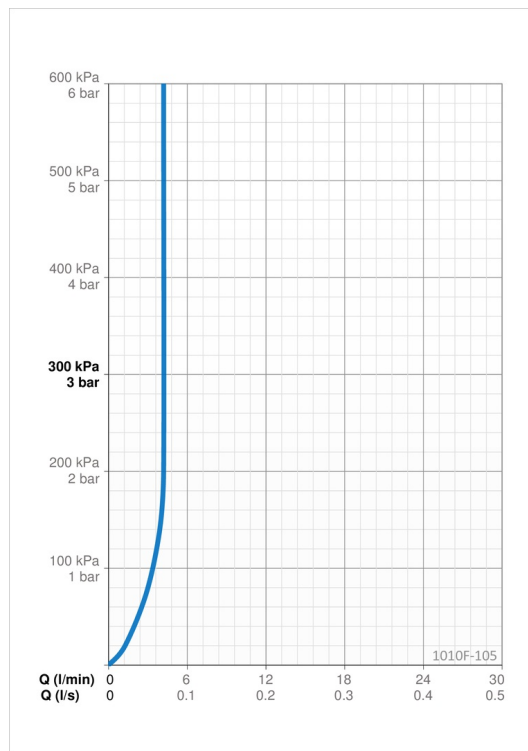
Flow-rate at 300 kPa (with flow controller) **0.07 l/s**

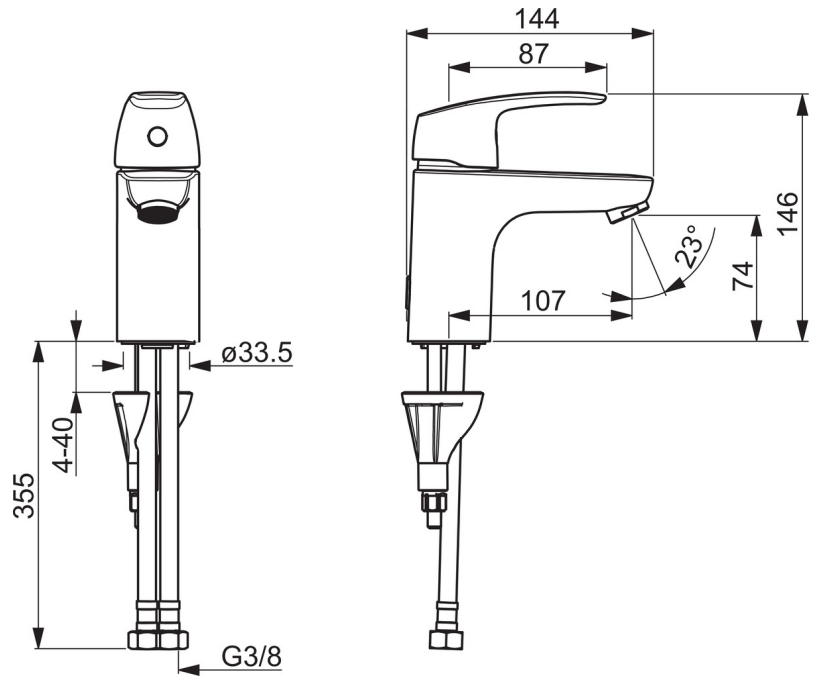
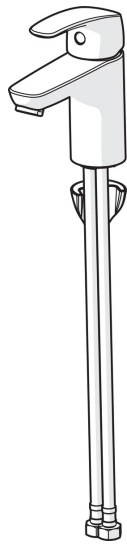
### Technical properties

Hot water supply **max. +70°C**  
 Working pressure **50 - 1000 kPa**  
 Connection size **G3/8**  
 Projection **107 mm**  
 Material **Brass**

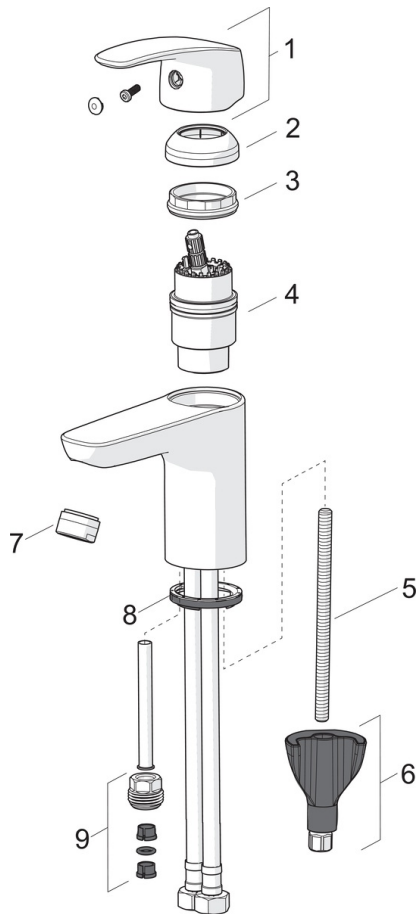
### Regulations

EN standard **EN 817**  
 Noise class **I (ISO 3822) Oras lab.**





## Spare parts



### SP1012F

	Name	Code
01	Lever	602502V
02	Covering cap	1000664V
03	Tightening nut	158726
04	Cartridge	158890
04	Cartridge, Green building	600979V
05	Fixing screw, M8x1, L=130	1000780V
06	Fixing set	602610V
07	Aerator, M24x1 STD HC A	232211
07	Aerator, M24x1, -105	601166V
07	Aerator, M24x1, -104	601434V
08	Bottom seal	1002371V
09	Nipple	159684
N.I.	Plug	117929/10
N.I.	Holder	1002369V