

EAN: 4015474262096
static.hansa.com/49372203



- Washbasin
- Single-lever
- Deck mounted
- Chrome
- Fixed spout
- PCA® - constant flow rate regardless of pressure variations
- Hot/Cold symbols, Single operating lever/handle
- Limitation option for maximum temperature and flow-rate, Adjustable hot water stop (included, retrofittable)
- ø 35 mm ceramic cartridge for flow and temperature control
- Flexible inlet pipes
- Inner body made of DZR brass, Rapid installation system
- Without pop-up waste, Without draw-rod opening

Technical data

Flow properties

Flow-rate at 3 bar (with flow controller)	6.0 l/min
Pressure loss with flow (0.1 l/s)	2 bar

Technical properties

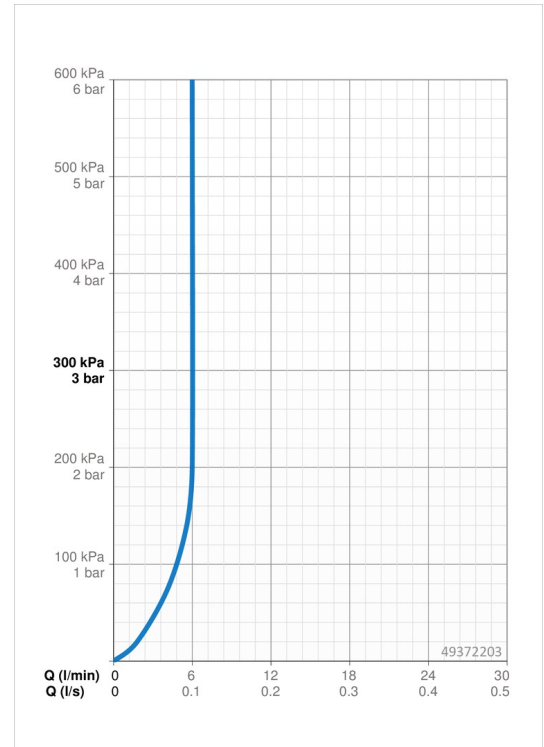
DN-size (nominal dimension)	DN15
Hot water supply	max. +70°C
Working pressure	1-10 bar
Connection size	G3/8
Projection	111 mm
Backflow prevention (EN1717)	AA
Material	Brass

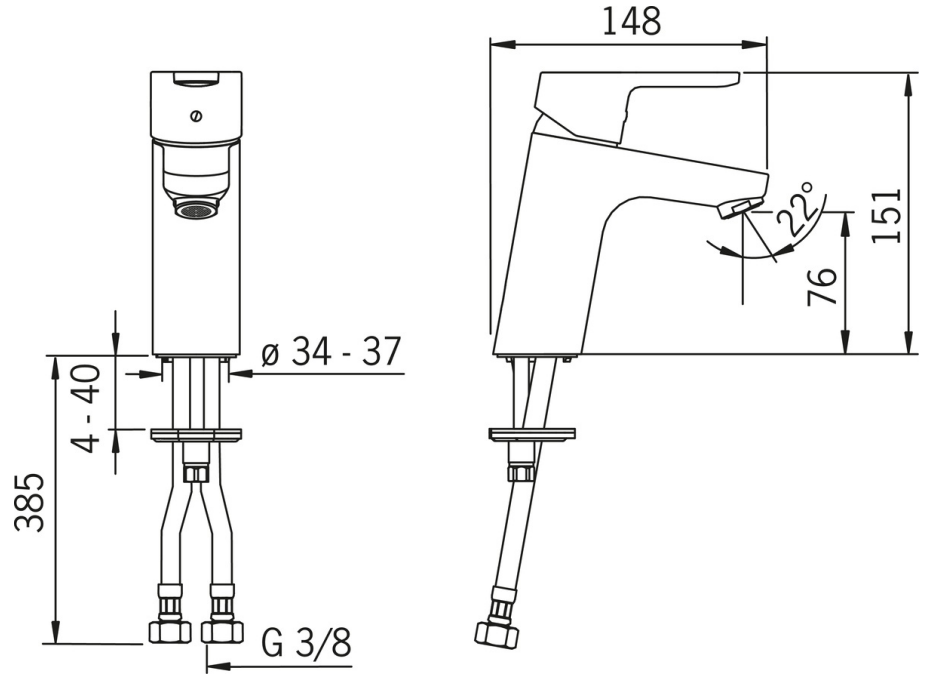
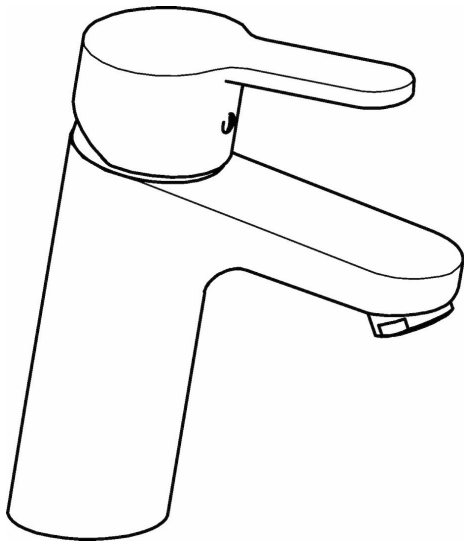
Regulations

EN standard	EN 817
Noise class	I (ISO 3822)

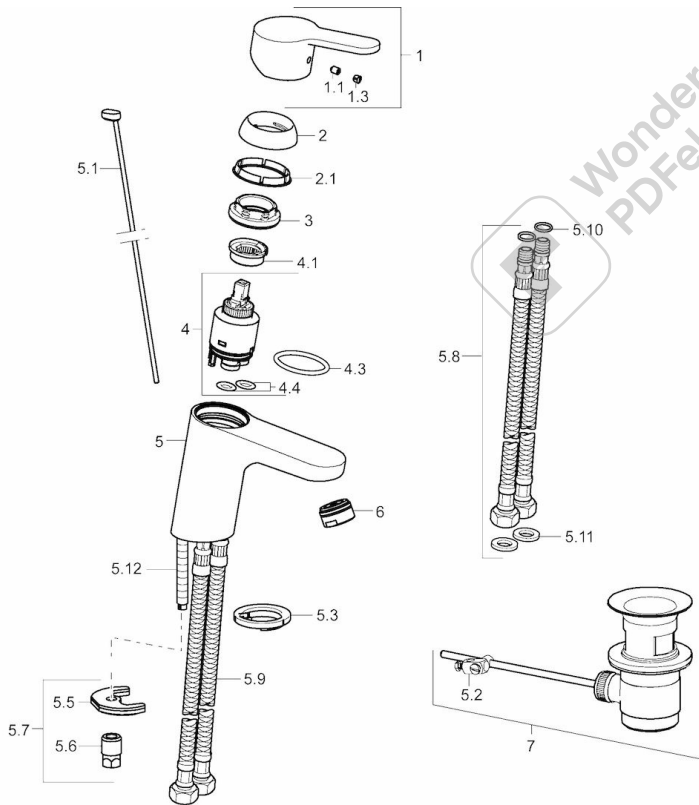
Approvals and Declarations

DVGW	NW-6506CN0242
------	----------------------





Spare parts



SP49402203

	Name	Code
1	Lever	59913827
1.1	Screw, M5x8, SW2.5	59904755
1.3	Symbol plug Grey	59912112
2	Covering cap, 33x3 mm	59912504
2.1	Gasket, 45x35.5x5.4	59913651
3	Tightening nut, M40x1, SW30	59913210
4	Cartridge, 3.5 Classic	59913075
4	Cartridge, 3.5 Eco	59912324
4.1	Temperature adjustment limiter	59912325
4.3	O-ring, d 28.24x2.62	59912590
4.4	O-ring, d 10.10x1.60	59905072
5.1	Pop-up operating rod	59913067
5.2	Swivel joint	59904624
5.3	Bottom seal	59914591
5.5	Fixing plate	59904765
5.6	Screw, M8x1, SW13	59904766
5.7	Fixing set	59912113
5.8	Flexible pipe, L=430, G3/8-M10x1 RH	59913213
5.9	Flexible pipe, L=430, G3/8-M10x1	59912515
5.10	O-ring, d 7.65x1.78	59902337
5.11	Gasket, 9.5x14.4x2	59912551
5.12	Fixing screw, M8x1, L=140	59912474
6	Aerator, M24x1, 6 l/min	59913727
7	Pop-up waste	59904620
7	Pop-up waste, (2019-)	59914764
N.I.	Key, SW30/34	59912108

EAN: 4015474253988
static.hansa.com/49402203



- Washbasin
- Single-lever
- Deck mounted
- Chrome
- Fixed spout
- PCA® - constant flow rate regardless of pressure variations
- Hot/Cold symbols, Single operating lever/handle
- Pop-up waste with draw-rod
- Limitation option for maximum temperature and flow-rate, Adjustable hot water stop (included, retrofittable)
- ø 35 mm ceramic cartridge for flow and temperature control
- Flexible inlet pipes
- Inner body made of DZR brass, Rapid installation system

Technical data

Flow properties

Flow-rate at 3 bar (with flow controller) **6.0 l/min**

Technical properties

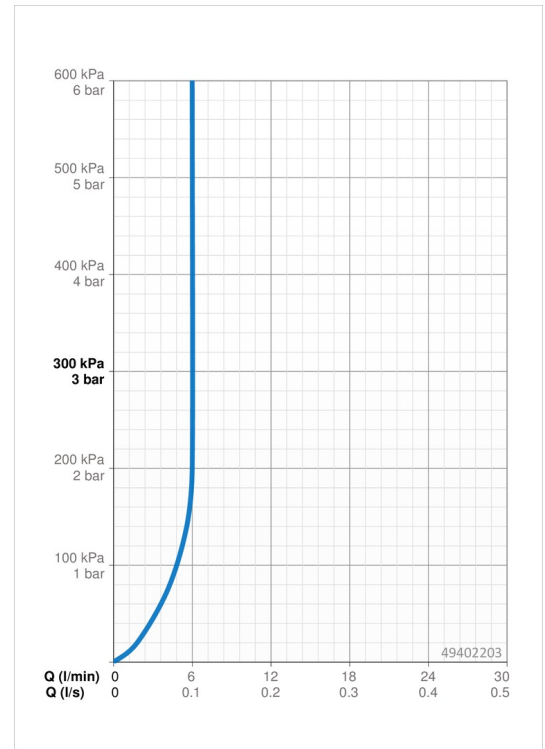
DN-size (nominal dimension) **DN15**
 Hot water supply **max. +70°C**
 Working pressure **0.5-10 bar**
 Connection size **G3/8**
 Projection **107 mm**
 Backflow prevention (EN1717) **AA**
 Material **Brass**

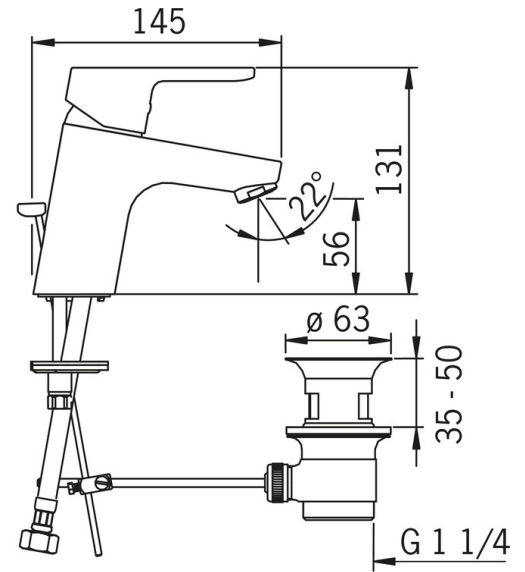
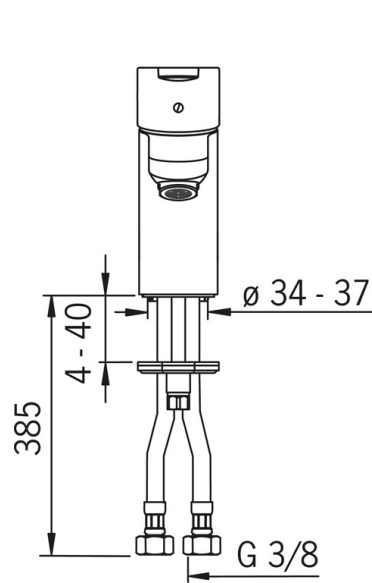
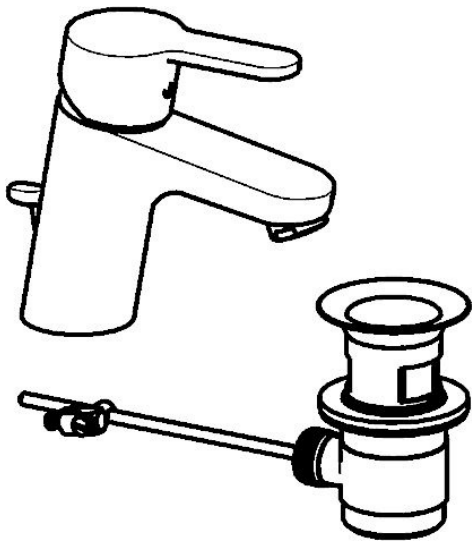
Regulations

EN standard **EN 817**
 Noise class **I (ISO 3822)**

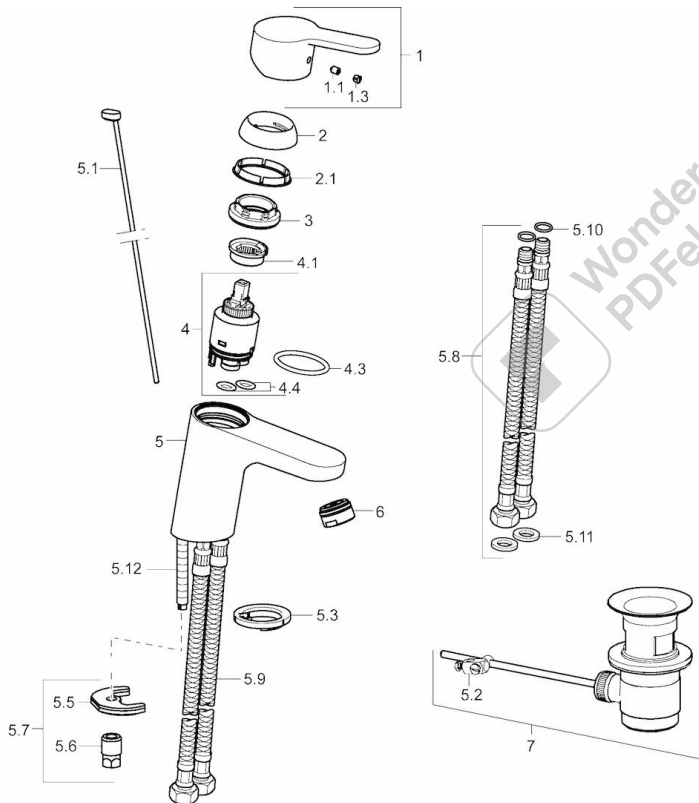
Approvals and Declarations

KIWA **K6116/08**
 DVGW **NW-6506CN0242**





Spare parts



SP49402203

	Name	Code
1	Lever	59913827
1.1	Screw, M5x8, SW2.5	59904755
1.3	Symbol plug Grey	59912112
2	Covering cap, 33x3 mm	59912504
2.1	Gasket, 45x35.5x5.4	59913651
3	Tightening nut, M40x1, SW30	59913210
4	Cartridge, 3.5 Classic	59913075
4	Cartridge, 3.5 Eco	59912324
4.1	Temperature adjustment limiter	59912325
4.3	O-ring, d 28.24x2.62	59912590
4.4	O-ring, d 10.10x1.60	59905072
5.1	Pop-up operating rod	59913067
5.2	Swivel joint	59904624
5.3	Bottom seal	59914591
5.5	Fixing plate	59904765
5.6	Screw, M8x1, SW13	59904766
5.7	Fixing set	59912113
5.8	Flexible pipe, L=430, G3/8-M10x1 RH	59913213
5.9	Flexible pipe, L=430, G3/8-M10x1	59912515
5.10	O-ring, d 7.65x1.78	59902337
5.11	Gasket, 9.5x14.4x2	59912551
5.12	Fixing screw, M8x1, L=140	59912474
6	Aerator, M24x1, 6 l/min	59913727
7	Pop-up waste	59904620
7	Pop-up waste, (2019-)	59914764
N.I.	Key, SW30/34	59912108

EAN: 4015474255098
static.hansa.com/49422203



- Washbasin
- Single-lever
- Deck mounted
- Chrome
- Fixed spout
- PCA® - constant flow rate regardless of pressure variations
- Hot/Cold symbols, Single operating lever/handle
- Limitation option for maximum temperature and flow-rate, Adjustable hot water stop (included, retrofittable)
- ø 35 mm ceramic cartridge for flow and temperature control
- Flexible inlet pipes
- Inner body made of DZR brass, Rapid installation system
- WithoutPopupWaste, WithoutDrawRodOpening

Technical data

Flow properties

Flow-rate at 3 bar (with flow controller)	6.0 l/min
Pressure loss with flow (0.1 l/s)	2 bar

Technical properties

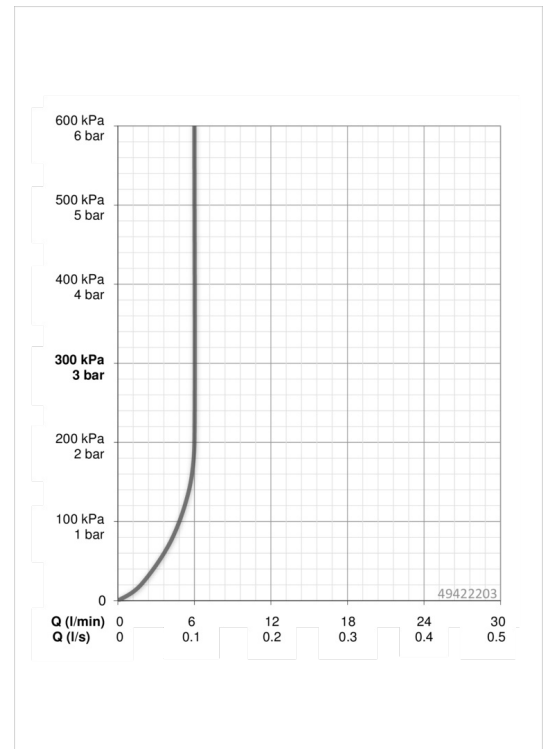
DN-size (nominal dimension)	DN15
Hot water supply	max. +80°C
Working pressure	1-10 bar
Connection size	G3/8
Projection	107 mm

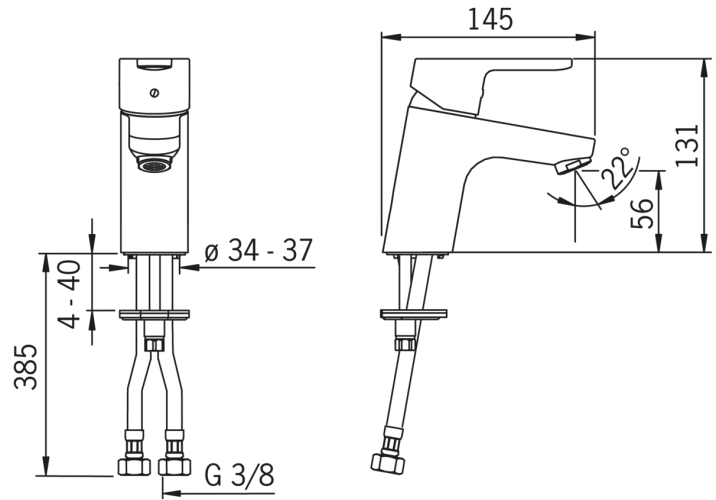
Regulations

EN standard	EN 817
Noise class	I (ISO 3822)

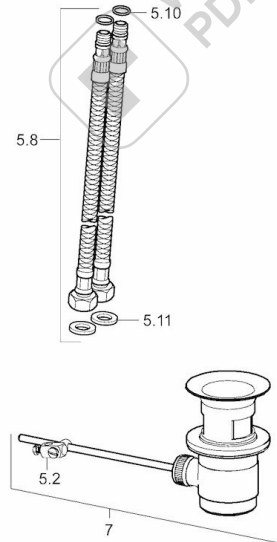
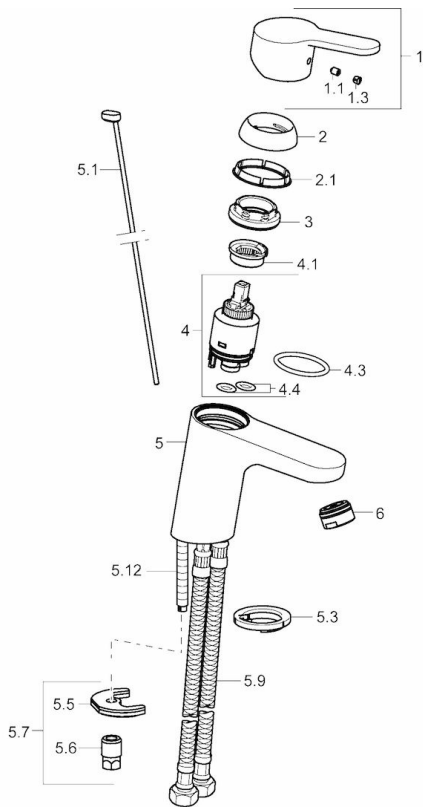
Approvals and Declarations

KIWA	K6116/08
------	-----------------





Spare parts



SP49402203

	Name	Code
1	Lever	59913827
1.1	Screw, M5x8, SW2.5	59904755
1.3	Symbol plug Grey	59912112
2	Covering cap, 33 x 3 mm	59912504
2.1	Gasket, 45x35.5x5.4	59913651
3	Tightening nut, M40x1, SW30	59913210
4	Cartridge, 3.5 Classic	59913075
4	Cartridge, 3.5 Eco	59912324
4.1	Temperature adjustment limiter	59912325
4.3	O-ring, d 28.24x2.62	59912590
4.4	O-ring, d 10.10x1.60	59905072
5.1	Pop-up operating rod	59913067
5.10	O-ring, d 7.65x1.78	59902337
5.11	Gasket, 9.5x14.4x2	59912551
5.12	Fixing screw, M8x1, L=140	59912474
5.2	Swivel joint	59904624
5.3	Bottom seal	59913653
5.5	Fixing plate	59904765
5.6	Screw, M8x1, SW13	59904766
5.7	Fixing set	59912113
5.8	Flexible pipe	59913213
5.9	Flexible pipe, L=430, G3/8-M10x1	59912515
6	Aerator, M24x1, 6 l/min	59913727
7	Pop-up waste	59904620
7	Pop-up waste, (2019-)	59914764
N.I.	Key, SW 30/34	59912108

EAN: 4015474262072
static.hansa.com/49562203



- Washbasin
- Single-lever
- Deck mounted
- Chrome
- Fixed spout
- PCA® - constant flow rate regardless of pressure variations
- Hot/Cold symbols, Single operating lever/handle
- Pop-up waste with draw-rod
- Limitation option for maximum temperature and flow-rate, Adjustable hot water stop (included, retrofittable)
- ø 35 mm ceramic cartridge for flow and temperature control
- Flexible inlet pipes
- Inner body made of DZR brass, Rapid installation system

Technical data

Flow properties

Flow-rate at 3 bar (with flow controller) **6.0 l/min**

Technical properties

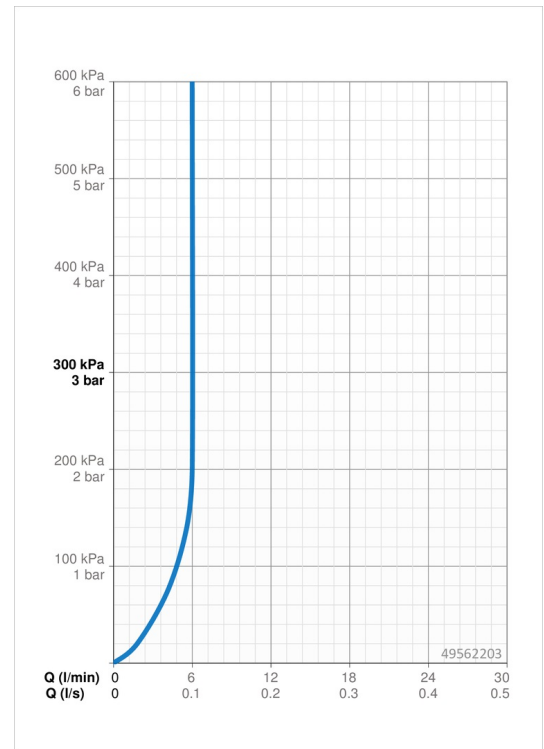
DN-size (nominal dimension) **DN15**
 Hot water supply **max. +70°C**
 Working pressure **0.5-10 bar**
 Connection size **G3/8**
 Projection **110 mm**
 Backflow prevention (EN1717) **AA**
 Material **Brass**

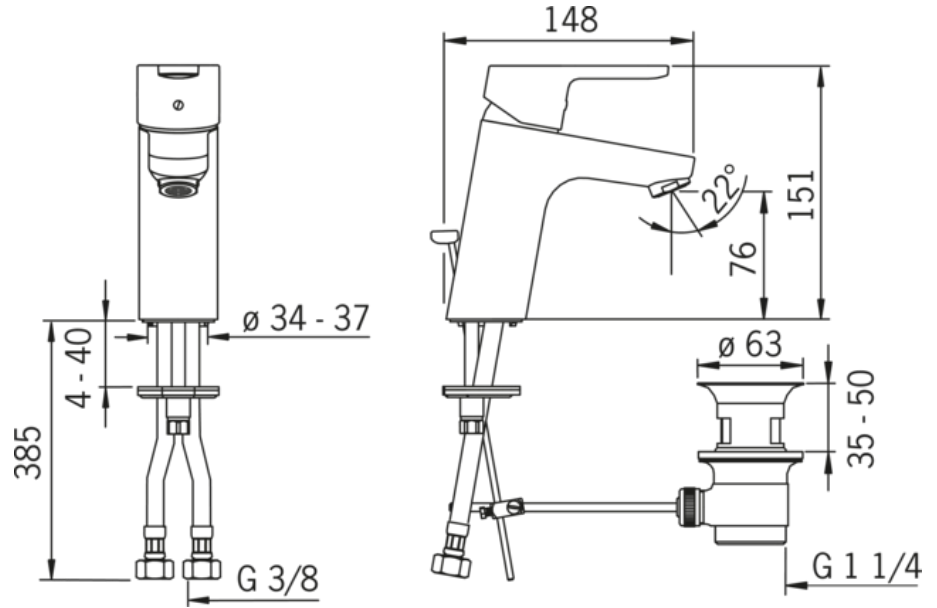
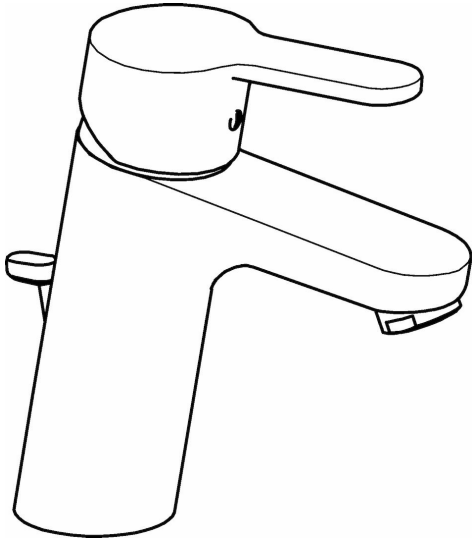
Regulations

EN standard **EN 817**
 Noise class **I (ISO 3822)**

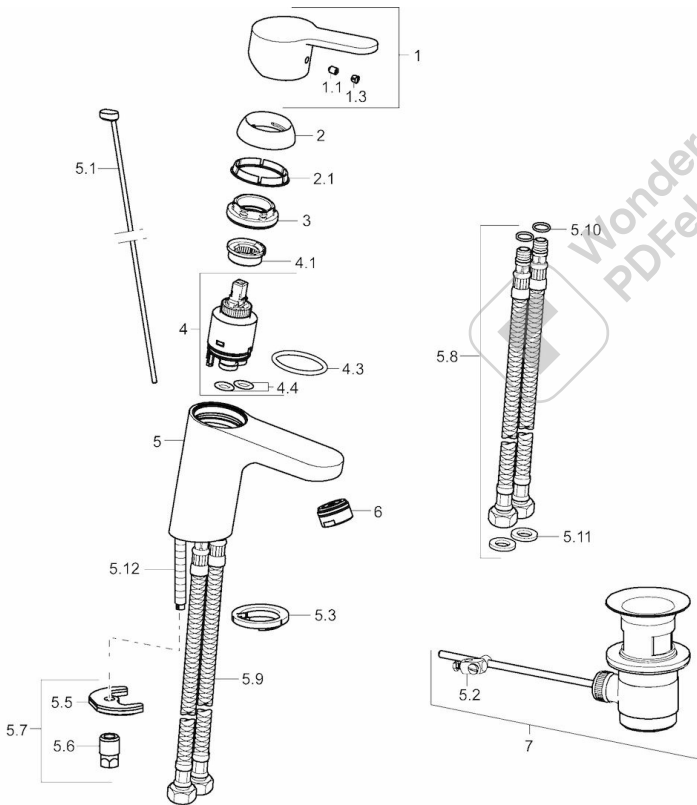
Approvals and Declarations

DVGW **NW-6506CN0242**





Spare parts



SP49402203

Name	Code
1 Lever	59913827
1.1 Screw, M5x8, SW2.5	59904755
1.3 Symbol plug Grey	59912112
2 Covering cap, 33x3 mm	59912504
2.1 Gasket, 45x35.5x5.4	59913651
3 Tightening nut, M40x1, SW30	59913210
4 Cartridge, 3.5 Classic	59913075
4 Cartridge, 3.5 Eco	59912324
4.1 Temperature adjustment limiter	59912325
4.3 O-ring, d 28.24x2.62	59912590
4.4 O-ring, d 10.10x1.60	59905072
5.1 Pop-up operating rod	59913067
5.2 Swivel joint	59904624
5.3 Bottom seal	59914591
5.5 Fixing plate	59904765
5.6 Screw, M8x1, SW13	59904766
5.7 Fixing set	59912113
5.8 Flexible pipe, L=430, G3/8-M10x1 RH	59913213
5.9 Flexible pipe, L=430, G3/8-M10x1	59912515
5.10 O-ring, d 7.65x1.78	59902337
5.11 Gasket, 9.5x14.4x2	59912551
5.12 Fixing screw, M8x1, L=140	59912474
6 Aerator, M24x1, 6 l/min	59913727
7 Pop-up waste	59904620
7 Pop-up waste, (2019-)	59914764
N.I. Key, SW30/34	59912108