

EAN: 4015474263529
static.hansa.com/57522203



- Washbasin
- Single-lever, side operated
- Deck mounted
- Chrome
- Fixed spout
- Adjustable flow angle, Hidden aerator
- Hot/Cold symbols, Single operating lever/handle
- \varnothing 25 mm ceramic cartridge for flow and temperature control
- Flexible inlet pipes
- Inner body made of DZR brass
- Without pop-up waste, Without draw-rod opening

Technical data

Flow properties

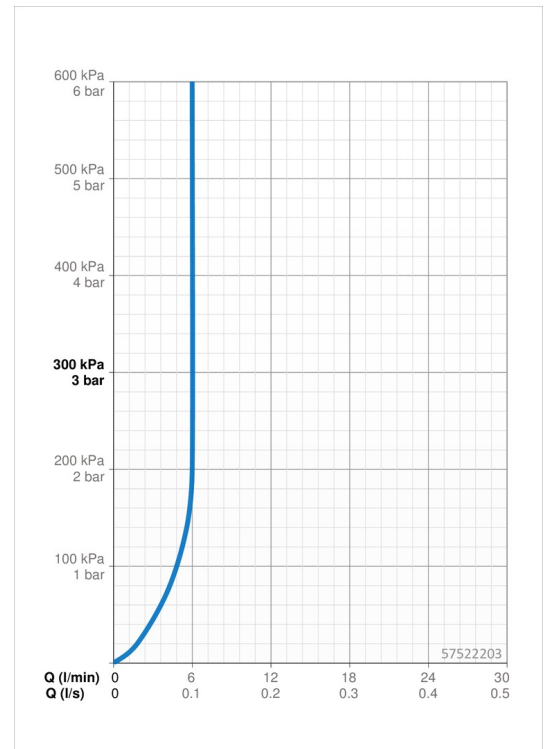
Flow-rate at 3 bar (with flow controller)	6.0 l/min
Pressure loss with flow (0.2 l/s)	2 bar

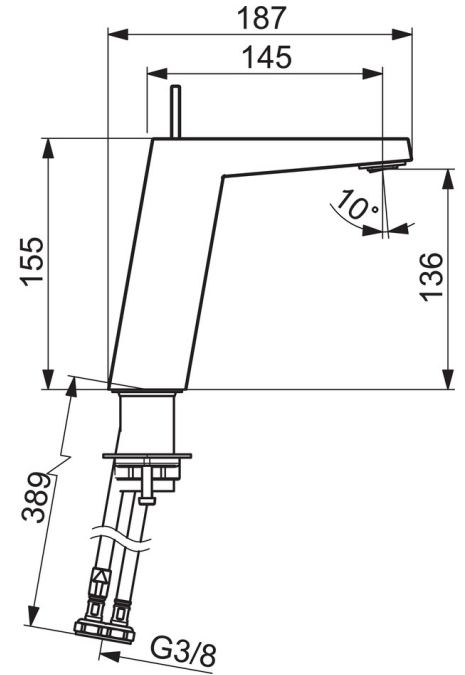
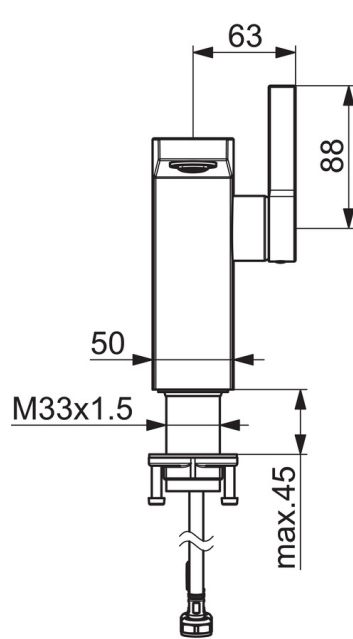
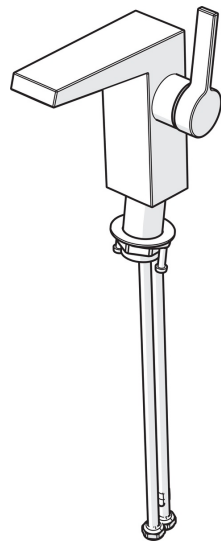
Technical properties

DN-size (nominal dimension)	DN15
Hot water supply	max. +70°C
Working pressure	1-10 bar
Connection size	G3/8
Projection	146 mm
Material	Brass

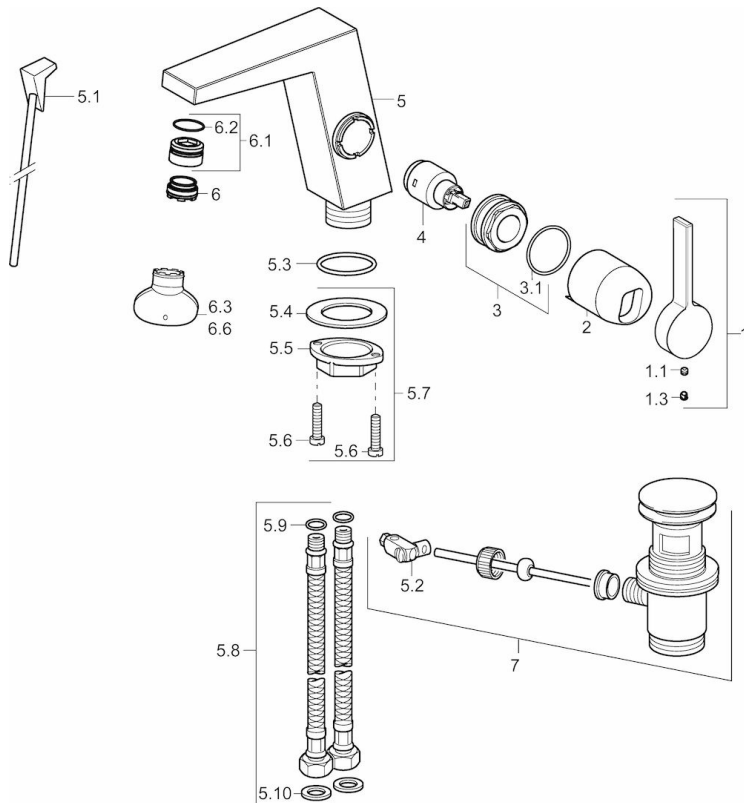
Regulations

EN standard	EN 817
-------------	---------------





Spare parts



SP57552203

	Name	Code
1	Lever	59914010
1.1	Screw, M5x6, SW2.5	59912617
1.3	Cover plug	59913762
2	Covering cap	59914011
3	Nut, M32x1, SW30	59914012
4	Cartridge, 2.5	59913914
5.1	Pop-up operating rod	59914014
5.2	Swivel joint	59904624
5.3	O-ring, 35x2.5	59905020
5.7	Fixing set	59913371
5.8	Hose, M8x1, G3/8, L=480	59914008
5.9	O-ring, 6x1.4	59913266
5.10	Gasket, 9.5x14.4x2	59912551
6	Aerator, M24x1 HC SSR-STD	59914015
6.1	Fitting ring for aerator	59914007
6.3	Key for aerator, SLIM AIR	59914013
7	Pop-up waste	59911441