

EAN: 4015474264021
static.hansa.com/55352203



- Washbasin
- Single-lever, side operated
- Deck mounted
- Chrome
- Swivel spout
- PCA® - constant flow rate regardless of pressure variations, Hidden aerator
- Hot/Cold symbols, Single operating lever/handle
- \varnothing 25 mm ceramic cartridge for flow and temperature control
- Flexible inlet pipes
- Inner body made of DZR brass
- Without pop-up waste, Without draw-rod opening

Technical data

Flow properties

Flow-rate at 3 bar (with flow controller) **6.0 l/min**

Technical properties

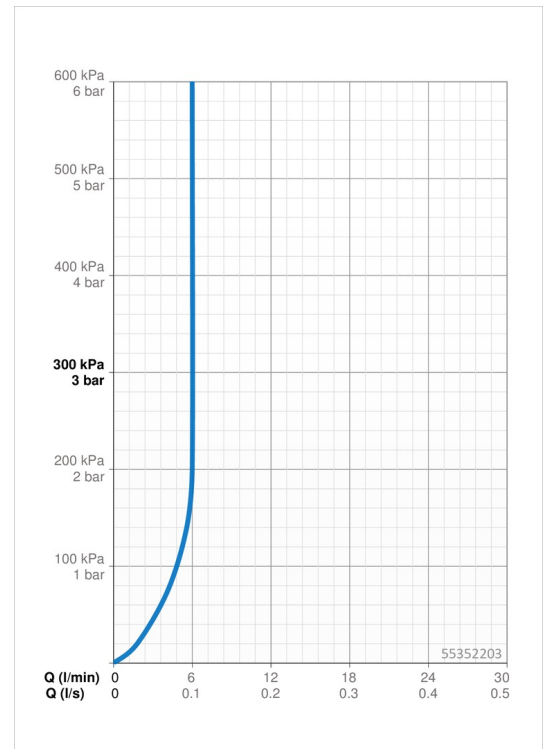
DN-size (nominal dimension) **DN15**
 Hot water supply **max. +70°C**
 Working pressure **1-10 bar**
 Connection size **G3/8**
 Projection **116 mm**
 Backflow prevention (EN1717) **AA**
 Material **Brass**

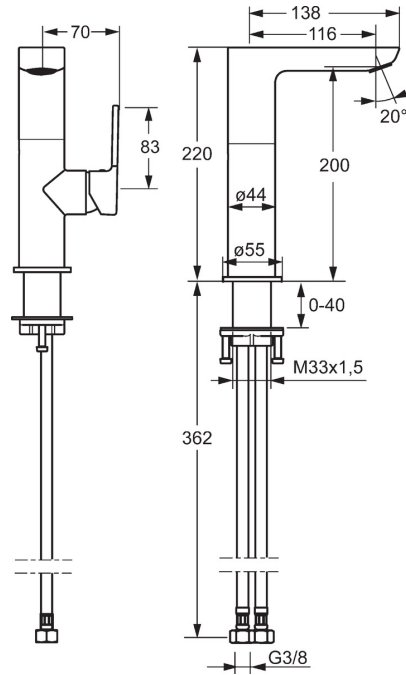
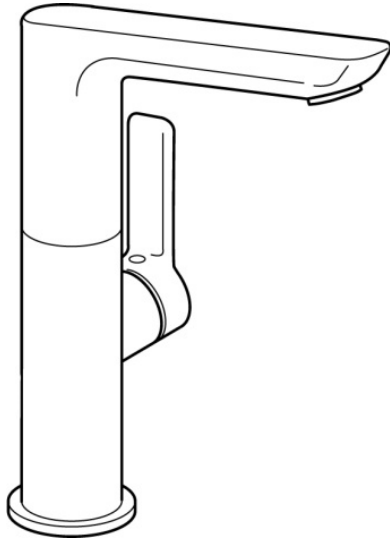
Regulations

EN standard **EN 817**
 Noise class **I (ISO 3822)**

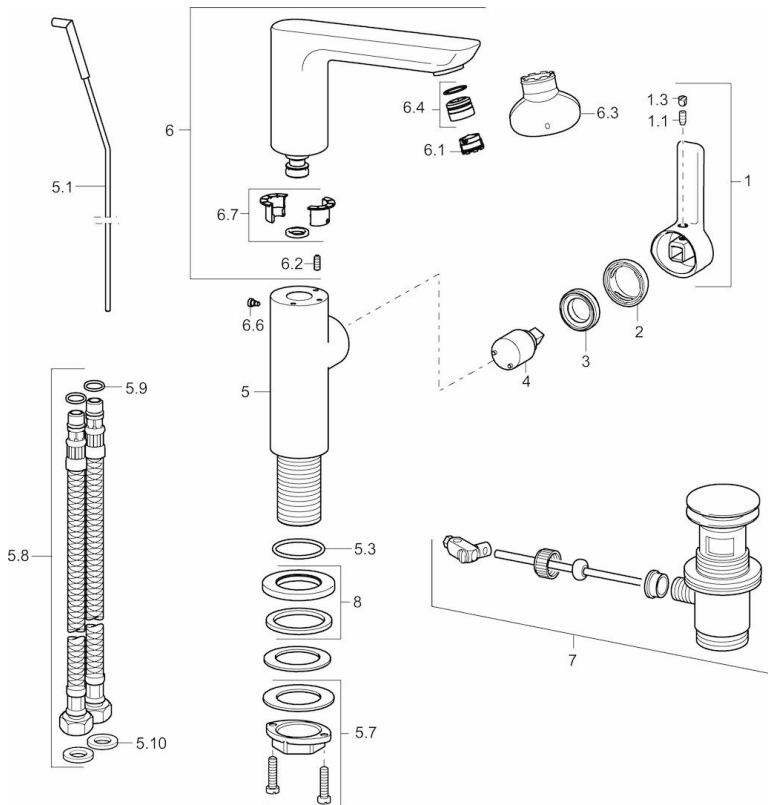
Approvals and Declarations

ABP **P-IX 29922/10**





Spare parts



SP55302203

	Name	Code
1	Lever, 2.5	59914001
1.1	Screw, M5x8, SW2.5	59904755
1.3	Cover plug	59913762
2	Covering cap	59913957
3	Tightening nut, M32x1, SW24	59913958
4	Cartridge, 2.5	59913914
5.1	Pop-up operating rod	59913959
5.3	O-ring, 35x2.5	59905020
5.7	Fixing set	59913371
5.8	Flexible pipe, L=430, G3/8-M8x1	59913964
5.9	O-ring, 6x1.4	59913266
5.10	Gasket, 9.5x14.4x2	59912551
6	Spout	59914023
6.1	Aerator, M18.5x1, TJ	59913366
6.2	Fixing screw, M4x8	59913989
6.3	Key for aerator, M18.5	59913367
6.4	Fitting ring for aerator	59913654
6.6	Screw, M4x7	59902075
6.7	Sealing kit	59911884
7	Pop-up waste	59911441
8	Cover flange, d 55 mm	59913963