

EAN: 4015474248076  
[static.hansa.com/06082203](http://static.hansa.com/06082203)



- Washbasin
- Single-lever
- Deck mounted
- Chrome
- Fixed spout
- PCA® - constant flow rate regardless of pressure variations, Hidden aerator
- Hot/Cold symbols, Single operating lever/handle
- Limitation option for maximum temperature and flow-rate, Adjustable hot water stop (included, retrofittable)
- ø 35 mm ceramic cartridge for flow and temperature control
- Flexible inlet pipes
- Inner body made of DZR brass, Rapid installation system
- Without pop-up waste, Without draw-rod opening

## Technical data

### Flow properties

Flow-rate at 3 bar (with flow controller) **6.0 l/min**

### Technical properties

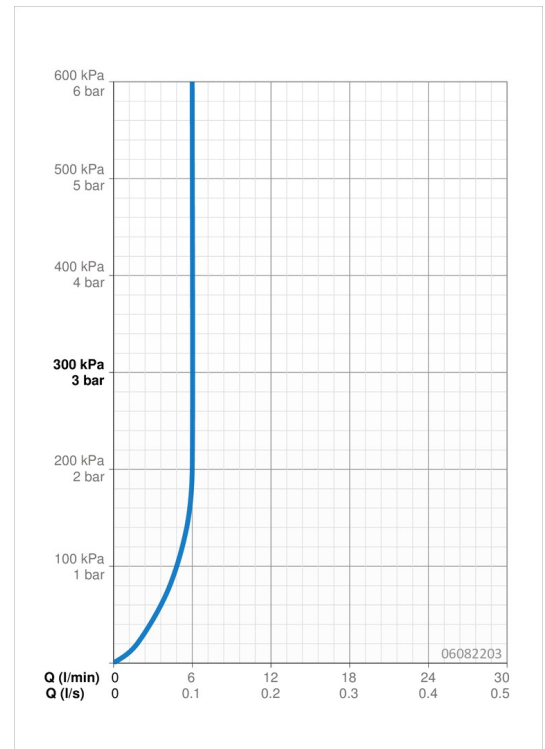
DN-size (nominal dimension) **DN15**  
 Hot water supply **max. +70°C**  
 Working pressure **1-10 bar**  
 Connection size **G3/8**  
 Projection **108 mm**  
 Backflow prevention (EN1717) **AA**  
 Material **Brass**

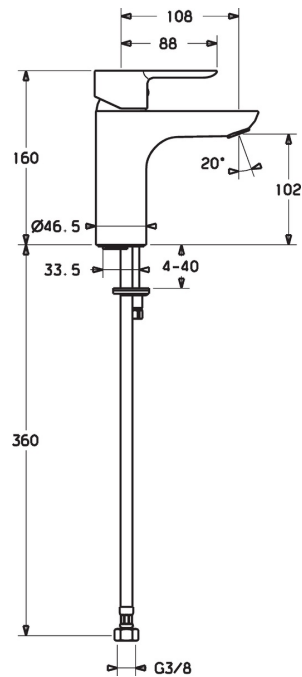
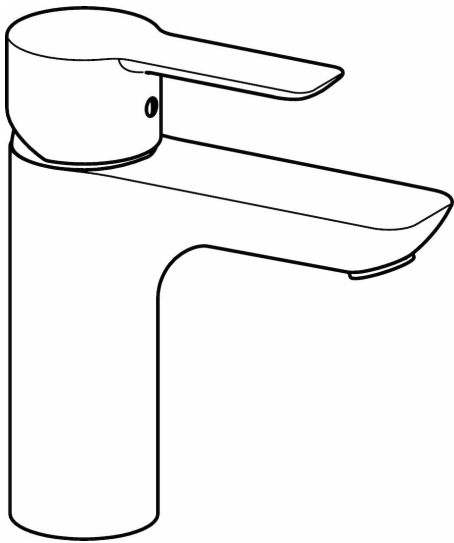
### Regulations

EN standard **EN 817**  
 Noise class **I (ISO 3822)**

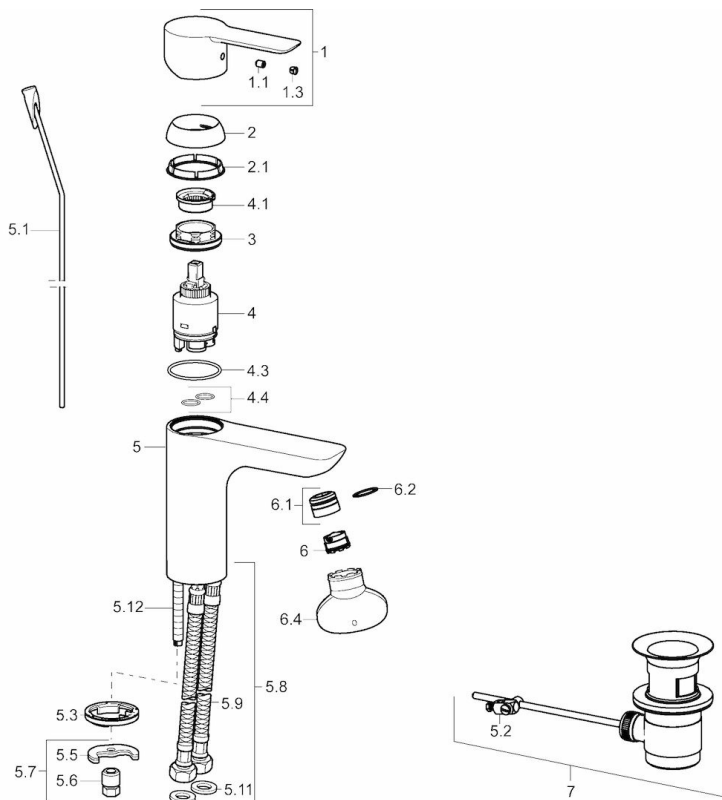
### Approvals and Declarations

DVGW **NW-6506CN0315**  
 ABP **PA-IX 38219/IO**





## Spare parts



## SP06092203

	Name	Code
1	Lever	59913650
1.1	Screw, M5x8, SW2.5	59904755
1.3	Symbol plug Grey	59912112
2	Covering cap, 33x3 mm	59912504
2.1	Gasket, 45x35.5x5.4	59913651
3	Tightening nut, M40x1, SW30	59913210
4	Cartridge, 3.5 Classic	59913075
4	Cartridge, 3.5 Eco	59912324
4.1	Temperature adjustment limiter	59912325
4.3	O-ring, d 28.24x2.62	59912590
4.4	O-ring, d 10.10x1.60	59905072
5.1	Pop-up operating rod	59913652
5.2	Swivel joint	59904624
5.3	Bottom seal	59914591
5.5	Fixing plate	59904765
5.6	Screw, M8x1, SW13	59904766
5.7	Fixing set	59910749
5.8	Flexible pipe, L=430, G3/8-M10x1 RH	59913213
5.9	Flexible pipe, L=430, G3/8-M10x1	59912515
5.10	O-ring, d 7.65x1.78	59902337
5.11	Gasket, 9.5x14.4x2	59912551
5.12	Fixing screw, M8x1, L=140	59912474
6	Aerator, M18.5x1, TJ	59913366
6.1	Fitting ring for aerator	59913654
6.4	Key for aerator, M18.5	59913367
7	Pop-up waste	59911441
N.I.	Key, SW30/34	59912108