

Drink. fountain ED2-0DF

Art. no. ED2-0DF
GTIN 7393069023602



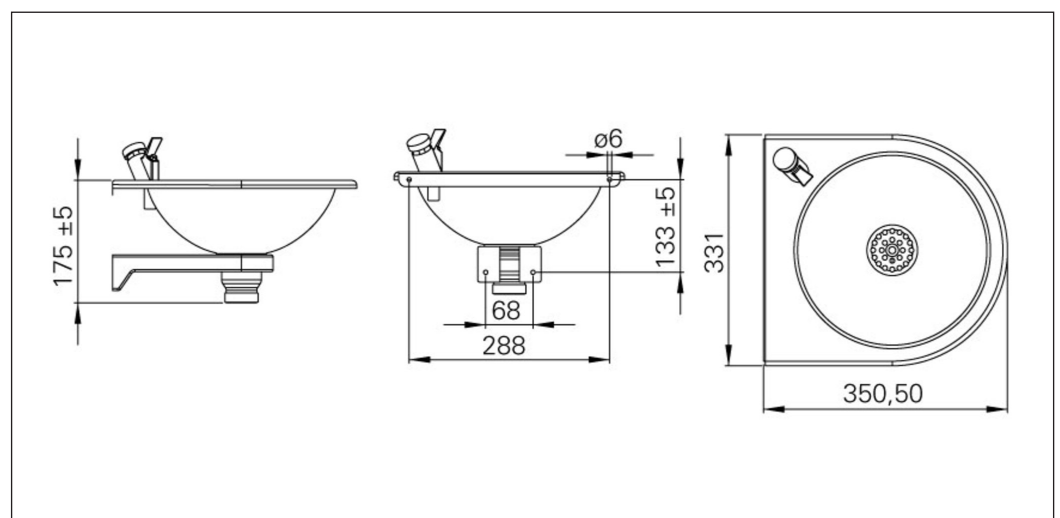
Overall dimension in mm 331 x 350 x 150
Depth in mm 106
Material AISI 304
Material thickness in mm 0,8
Installation height in mm 900/ 700/ 500
Gross weight in kg 1.80
Made in Norway

Description

Drinking fountain in stainless steel 18/10 for wall mounting. Supplied with supporting bracket, grated waste, wall panel and water bubbler.

Installation

Fix the waste and bubbler and connect to water. Connect the water trap to the outlet in the wall with a 32mm push fit tube (Not supplied). Fix the product and wall panel to the wall.



Installation ED2-0DF

ASSEMBLY:

Included in the box + part number:

- * Drinking fountain
- * Bubbler tap: 79090
- * Valve grated waste 1 1/4 "and 1 1/2": 79136
- * Sealing of cellprene Ø70: 91099
- * Support bracket: 91017
- * Mounting kit: YMX01

Addition: Connection of drinking tip, water trap and drain pipe (not included)

Make sure all parts are in place before assembly work is started.

Existing pipes must be flushed and cleaned well before connecting the drinking fins so that no dirt gets in the drink tip. Dirt filter collecting dirt is recommended mounted in transition between fixed pipes and flexible hose for water intake.

The shut-off valve must not be used to adjust the amount of water, as this may cause leakage from the drinking tip.

A pressure relief valve should adjust the water pressure to the recommended operating pressure.

Fit the support bracket and valve on the ball. Fit drinking tip, connect water supply and water trap. Attach the sink to the wall through the mounting holes in the support bracket and the folding edge of the sink. Screws included.

Mounting height 900mm for adults, 700 - 800mm for children and 500mm for small children.

ADJUSTMENT OF WATER JET:

The amount of water through the drink tip and the water jet has been adjusted using the screw on the underside of the drinking route. This is done easiest by pressing the trigger while adjusting the screw. The screw is very small, so it has to be screwed very carefully so that the screw is not screwed out completely.

- Screw the screw clockwise and the amount of water is thrown.

- Turn the screw counterclockwise and increase the amount of water.

Maintenance ED2-0DF

SPARE PARTS:
(See ASSEMBLY)

TECHNICAL INFORMATION:

Drinking nozzle:
Max. working pressure: 5.5 bar
Min. working pressure: 0.5 bar
Recommended working pressure: 3.5 bar

Connection to water:
The amount of water must not be restricted with a shut-off valve, as this may cause leaks from the drinking nozzle.

SERVICING IN THE EVENT OF LEAKS:

Leaks by the spout of the drinking nozzle: may be caused by a damaged O-ring or dirt under O-ring JR2: Clean piston P312U included in KBP311N. Apply some grease around the piston before assembly. If the O ring JR2 is damaged, the entire drink nozzle should be replaced.

Leakage under the pressure button: most likely caused by a damaged or dirty O-ring, JR1: Clean the piston P312U included in KBP311N.

Apply some grease around the piston before assembly. If the O ring JR1 is damaged, the entire drink nozzle should be replaced.

MAINTENANCE:

In order for the product to retain its original quality and appearance, regular cleaning is recommended. Use mild soap or products specifically designed for stainless steel and clean water. Then wipe the surface with a dry cloth.

Never use detergents containing chlorine, iodine, fluoride or abrasives. Also avoid contact with acidic solutions and other substances incompatible with stainless steel. Remember that foodstuffs and skin care products may contain such substances; e.g. ketchup, juice, salt, some cleansers, nail polish, etc. Promptly remove spills of such products.

- * Do not allow water or other liquid to dry in. This is to avoid staining the surface.
- * Even though stainless steel can withstand harsh treatment, it will easily be scratched by sharp objects. For products with polished (brushed) finishes, this will be very visible when the product is new, but after

