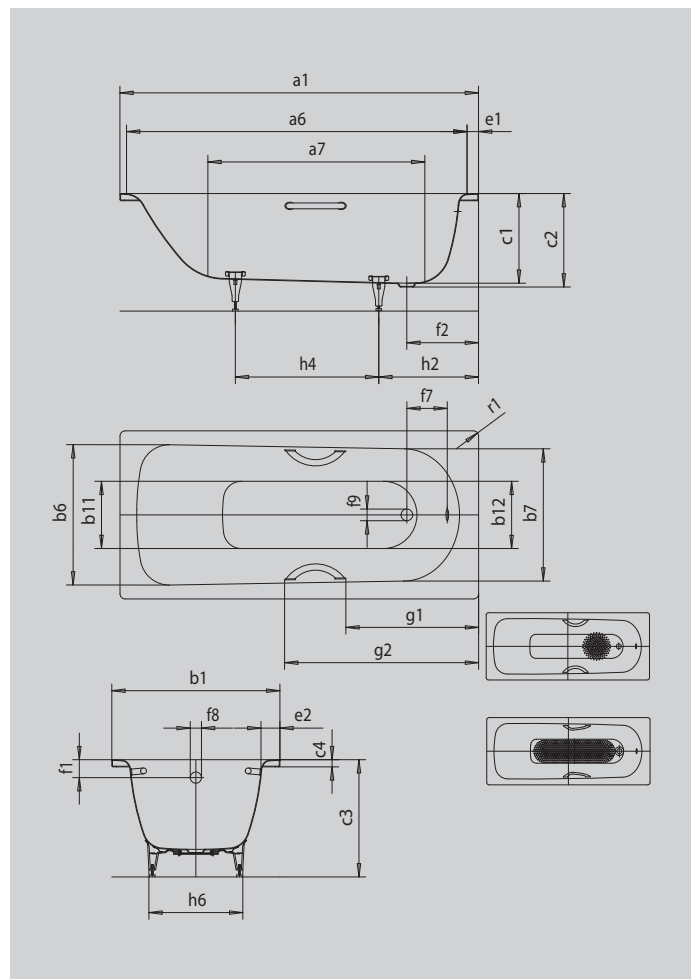


SANIFORM PLUS SANIFORM PLUS STAR

- one-seater bath with waste at foot end
- classic four-cornered model
- also available with grips
- made of KALDEWEI steel enamel



Similar illustration



Model		360
External length	a ₁	1400 mm
Internal length (top)	a ₆	1230 mm
Internal length (bottom)	a ₇	850 mm
External width	b ₁	700 mm
Internal width (top)	b ₆ ; b ₇	550; 530 mm
Internal width (bottom)	b ₁₁ ; b ₁₂	390; 350 mm
Depth inside	c ₁	400 mm
Depth incl. waste hole	c ₂	410 mm
Height with feet	c ₃	545 - 560 mm
Height of rim	c ₄	32 mm
Width of rim (foot end; long side)	e ₁ ; e ₂	70; 75 mm
Distance top edge to centre of overflow hole	f ₁	63 mm
Distance bath edge to centre of waste hole	f ₂	310 mm
Distance centre of waste hole to centre of overflow hole	f ₇	212 mm
Diameter of overflow hole	f ₈	Ø 52 mm
Diameter of waste hole	f ₉	Ø 52 mm
Distance foot end of bath edge to centre of foot	h ₂	455 mm
Distance between the feet	h ₄	445 mm
Width of feet max.	h ₆	380 mm
External radius	r ₁	23 mm
Water volume		67 l
Net weight		39 kg
Diameter of anti-slip		Ø 288 mm
Full anti-slip		600 x 220 mm

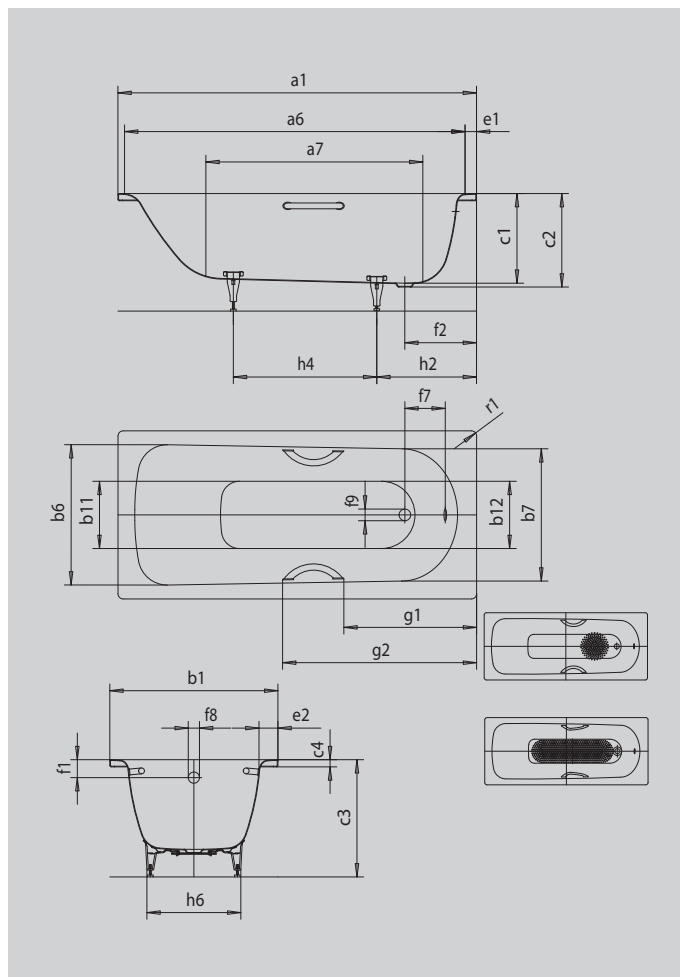
SANIFORM PLUS

SANIFORM PLUS STAR

- one-seater bath with waste at foot end
- classic four-cornered model
- also available with grips
- made of KALDEWEI steel enamel



Similar illustration



Model		361
External length	a_1	1500 mm
Internal length (top)	a_6	1330 mm
Internal length (bottom)	a_7	950 mm
External width	b_1	700 mm
Internal width (top)	$b_6; b_7$	550; 530 mm
Internal width (bottom)	$b_{11}; b_{12}$	390; 350 mm
Depth inside	c_1	400 mm
Depth incl. waste hole	c_2	410 mm
Height with feet	c_3	545 - 560 mm
Height of rim	c_4	32 mm
Width of rim (foot end; long side)	$e_1; e_2$	70; 75 mm
Distance top edge to centre of overflow hole	f_1	63 mm
Distance bath edge to centre of waste hole	f_2	320 mm
Distance centre of waste hole to centre of overflow hole	f_7	222 mm
Diameter of overflow hole	f_8	Ø 52 mm
Diameter of waste hole	f_9	Ø 52 mm
Distance foot end of bath edge to centre of foot	h_2	445 mm
Distance between the feet	h_4	555 mm
Width of feet max.	h_6	380 mm
External radius	r_1	23 mm
Water volume		82 l
Net weight		41 kg
Diameter of anti-slip		Ø 288 mm
Full anti-slip		600 x 220 mm

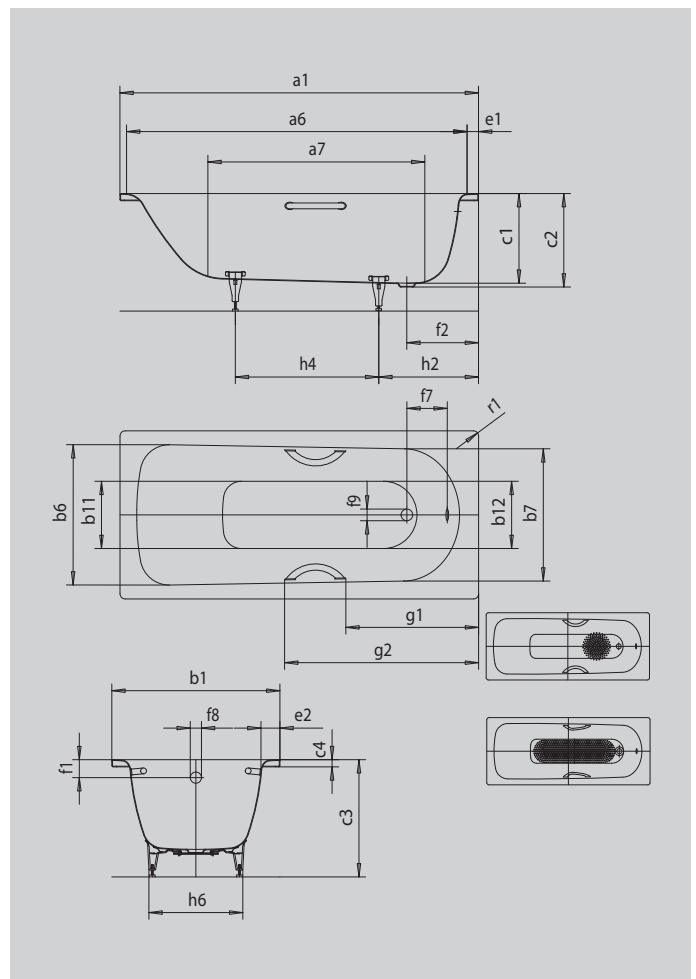
SANIFORM PLUS

SANIFORM PLUS STAR

- one-seater bath with waste at foot end
- classic four-cornered model
- also available with grips
- made of KALDEWEI steel enamel



Similar illustration



Model		332
External length	a ₁	1600 mm
Internal length (top)	a ₆	1430 mm
Internal length (bottom)	a ₇	1050 mm
External width	b ₁	700 mm
Internal width (top)	b ₆ ; b ₇	550; 530 mm
Internal width (bottom)	b ₁₁ ; b ₁₂	390; 350 mm
Depth inside	c ₁	400 mm
Depth incl. waste hole	c ₂	410 mm
Height with feet	c ₃	545 - 560 mm
Height of rim	c ₄	32 mm
Width of rim (foot end; long side)	e ₁ ; e ₂	70; 75 mm
Distance top edge to centre of overflow hole	f ₁	63 mm
Distance bath edge to centre of waste hole	f ₂	310 mm
Distance centre of waste hole to centre of overflow hole	f ₇	212 mm
Diameter of overflow hole	f ₈	Ø 52 mm
Diameter of waste hole	f ₉	Ø 52 mm
Distance bath edge (foot end) to start of grip	g ₁	584 mm
Distance bath edge (foot end) to end of grip	g ₂	859 mm
Distance foot end of bath edge to centre of foot	h ₂	450 mm
Distance between the feet	h ₄	600 mm
Width of feet max.	h ₆	380 mm
External radius	r ₁	8 mm
Water volume		93 l
Net weight		46 kg
Diameter of anti-slip		Ø 288 mm
Full anti-slip		600 x 220 mm

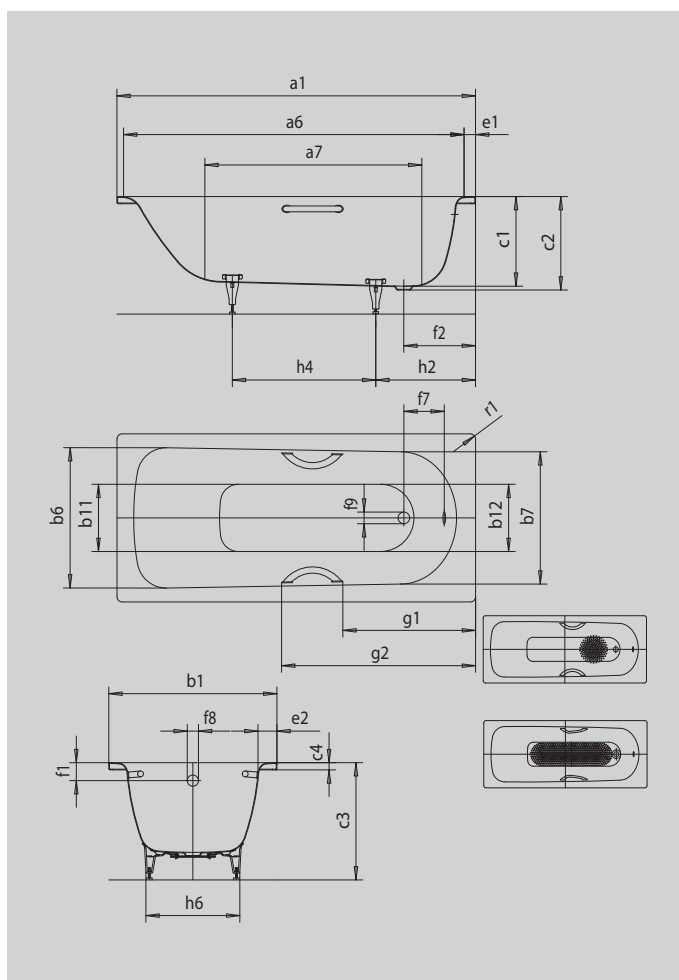
SANIFORM PLUS

SANIFORM PLUS STAR

- one-seater bath with waste at foot end
- classic four-cornered model
- also available with grips
- made of KALDEWEI steel enamel



Similar illustration



Model		363
External length	a_1	1700 mm
Internal length (top)	a_6	1530 mm
Internal length (bottom)	a_7	1150 mm
External width	b_1	700 mm
Internal width (top)	$b_6; b_7$	550; 530 mm
Internal width (bottom)	$b_{11}; b_{12}$	390; 350 mm
Depth inside	c_1	400 mm
Depth incl. waste hole	c_2	410 mm
Height with feet	c_3	545 - 560 mm
Height of rim	c_4	32 mm
Width of rim (foot end; long side)	$e_1; e_2$	70; 75 mm
Distance top edge to centre of overflow hole	f_1	63 mm
Distance bath edge to centre of waste hole	f_2	310 mm
Distance centre of waste hole to centre of overflow hole	f_7	212 mm
Diameter of overflow hole	f_8	Ø 52 mm
Diameter of waste hole	f_9	Ø 52 mm
Distance foot end of bath edge to centre of foot	h_2	450 mm
Distance between the feet	h_4	740 mm
Width of feet max.	h_6	380 mm
External radius	r_1	8 mm
Water volume		111 l
Net weight		47 kg
Diameter of anti-slip		Ø 288 mm
Full anti-slip		850 x 240 mm

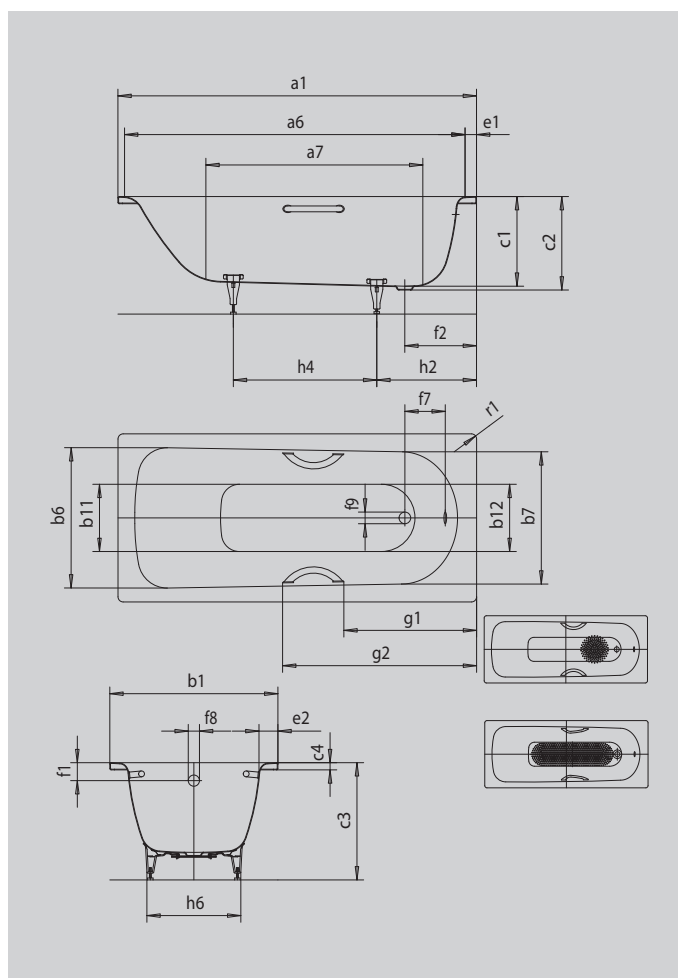
SANIFORM PLUS

SANIFORM PLUS STAR

- one-seater bath with waste at foot end
- classic four-cornered model
- also available with grips
- made of KALDEWEI steel enamel



Similar illustration



Model		372
External length	a ₁	1600 mm
Internal length (top)	a ₆	1430 mm
Internal length (bottom)	a ₇	1050 mm
External width	b ₁	750 mm
Internal width (top)	b ₆ ; b ₇	600; 580 mm
Internal width (bottom)	b ₁₁ ; b ₁₂	440; 400 mm
Depth inside	c ₁	400 mm
Depth incl. waste hole	c ₂	410 mm
Height with feet	c ₃	545 - 560 mm
Height of rim	c ₄	32 mm
Width of rim (foot end; long side)	e ₁ ; e ₂	70; 75 mm
Distance top edge to centre of overflow hole	f ₁	63 mm
Distance bath edge to centre of waste hole	f ₂	310 mm
Distance centre of waste hole to centre of overflow hole	f ₇	218 mm
Diameter of overflow hole	f ₈	Ø 52 mm
Diameter of waste hole	f ₉	Ø 52 mm
Distance foot end of bath edge to centre of foot	h ₂	445 mm
Distance between the feet	h ₄	640 mm
Width of feet max.	h ₆	430 mm
External radius	r ₁	23 mm
Water volume		107 l
Net weight		46 kg
Diameter of anti-slip		Ø 288 mm
Full anti-slip		600 x 220 mm

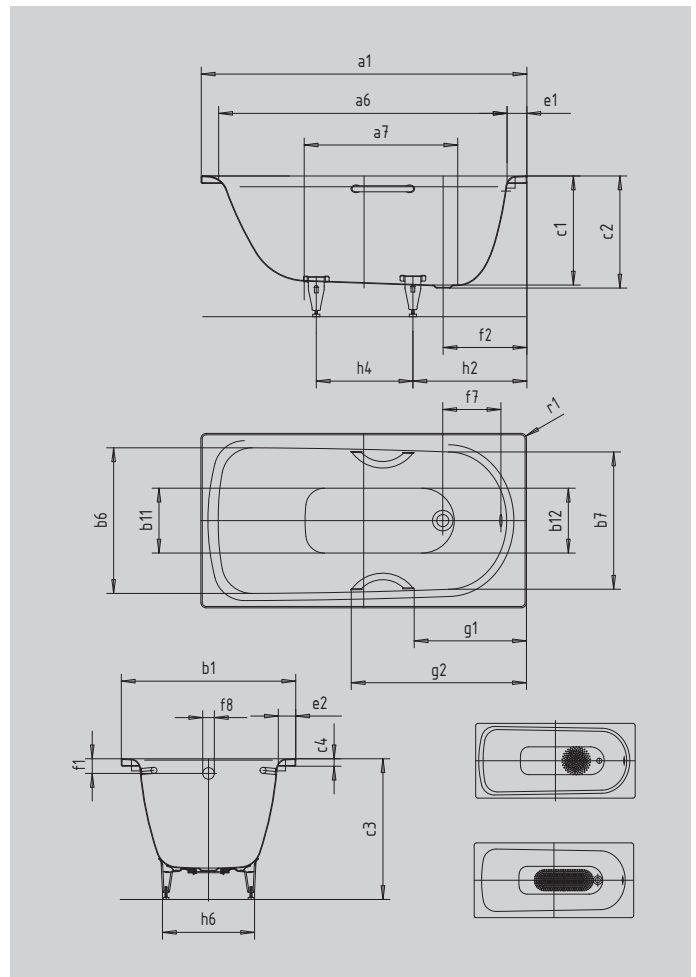
SANIFORM PLUS

SANIFORM PLUS STAR

- one-seater bath with waste at foot end
- classic four-cornered model
- also available with grips
- made of KALDEWEI steel enamel



Similar illustration



Model		373
External length	a ₁	1700 mm
Internal length (top)	a ₆	1530 mm
Internal length (bottom)	a ₇	1150 mm
External width	b ₁	750 mm
Internal width (top)	b ₆ ; b ₇	600; 580 mm
Internal width (bottom)	b ₁₁ ; b ₁₂	440; 400 mm
Depth inside	c ₁	400 mm
Depth incl. waste hole	c ₂	410 mm
Height with feet	c ₃	545 - 560 mm
Height of rim	c ₄	32 mm
Width of rim (foot end; long side)	e ₁ ; e ₂	70; 75 mm
Distance top edge to centre of overflow hole	f ₁	63 mm
Distance bath edge to centre of waste hole	f ₂	310 mm
Distance centre of waste hole to centre of overflow hole	f ₇	218 mm
Diameter of overflow hole	f ₈	Ø 52 mm
Diameter of waste hole	f ₉	Ø 52 mm
Distance foot end of bath edge to centre of foot	h ₂	445 mm
Distance between the feet	h ₄	750 mm
Width of feet max.	h ₆	430 mm
External radius	r ₁	8 mm
Water volume		123 l
Net weight		49 kg
Diameter of anti-slip		Ø 288 mm
Full anti-slip		900 x 300 mm

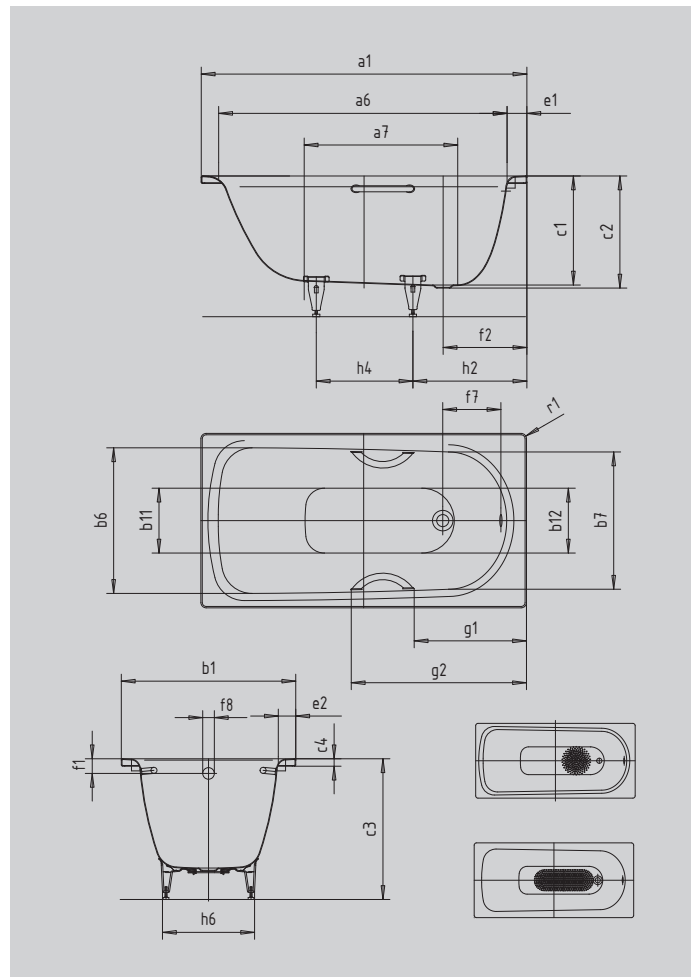
SANIFORM PLUS

SANIFORM PLUS STAR

- one-seater bath with waste at foot end
- classic four-cornered model
- also available with grips
- made of KALDEWEI steel enamel



Similar illustration



Model		375
External length	a ₁	1800 mm
Internal length (top)	a ₆	1630 mm
Internal length (bottom)	a ₇	1250 mm
External width	b ₁	800 mm
Internal width (top)	b ₆ ; b ₇	675; 640 mm
Internal width (bottom)	b ₁₁ ; b ₁₂	520; 450 mm
Depth inside	c ₁	420 mm
Depth incl. waste hole	c ₂	430 mm
Height with feet	c ₃	555 - 560 mm
Height of rim	c ₄	32 mm
Width of rim (foot end; long side)	e ₁ ; e ₂	70; 75 mm
Distance top edge to centre of overflow hole	f ₁	75 mm
Distance bath edge to centre of waste hole	f ₂	310 mm
Distance centre of waste hole to centre of overflow hole	f ₇	216 mm
Diameter of overflow hole	f ₈	Ø 52 mm
Diameter of waste hole	f ₉	Ø 52 mm
Distance foot end of bath edge to centre of foot	h ₂	470 mm
Distance between the feet	h ₄	830 mm
Width of feet max.	h ₆	480 mm
External radius	r ₁	8 mm
Water volume		150 l
Net weight		55 kg
Diameter of anti-slip		Ø 288 mm
Full anti-slip		900 x 300 mm