

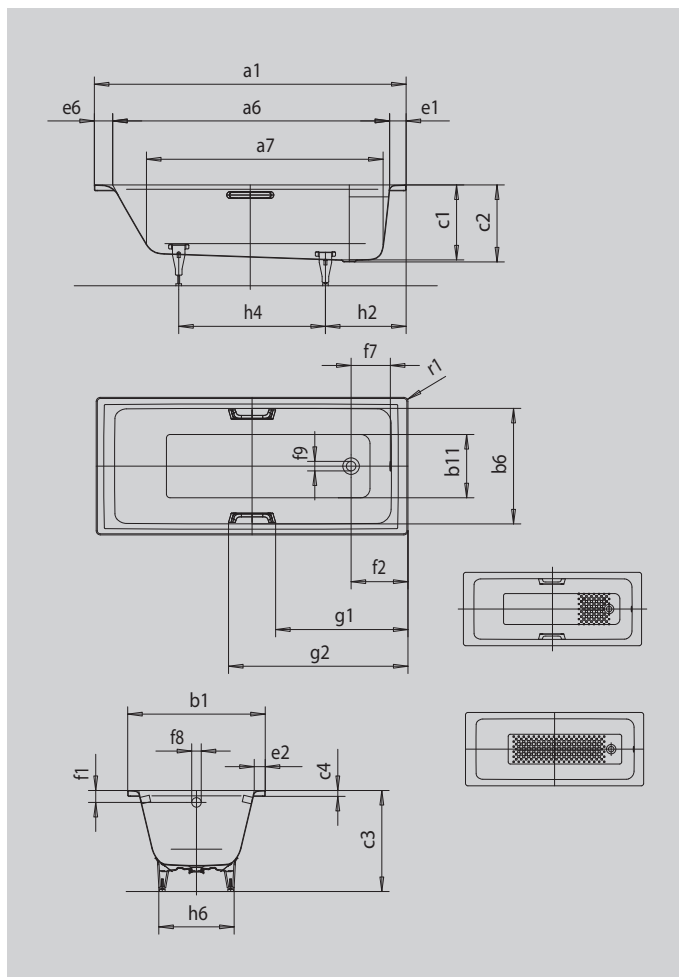
PURO

PURO STAR

- straightlined, purist design
- classic four-cornered model
- one-seater bath with waste at foot end
- perfect match for the PURO model range
- made of KALDEWEI steel enamel



Similar illustration



Model		693
External length	a ₁	1700 mm
Internal length (top)	a ₆	1510 mm
Internal length (bottom)	a ₇	1280 mm
External width	b ₁	800 mm
Internal width (top)	b ₆	630 mm
Internal width (bottom)	b ₁₁	460 mm
Depth inside	c ₁	410 mm
Depth incl. waste hole	c ₂	420 mm
Height with feet	c ₃	552 - 565 mm
Height of rim	c ₄	32 mm
Width of rim (foot end; long side; head end)	e ₁ ; e ₂ ; e ₆	90; 85; 100 mm
Distance top edge to centre of overflow hole	f ₁	65 mm
Distance bath edge to centre of waste hole	f ₂	310 mm
Distance centre of waste hole to centre of overflow hole	f ₇	214 mm
Diameter of overflow hole	f ₈	Ø 52 mm
Diameter of waste hole	f ₉	Ø 52 mm
Distance bath edge (foot end) to start of grip	g ₁	721 mm
Distance bath edge (foot end) to end of grip	g ₂	979 mm
Distance foot end of bath edge to centre of foot	h ₂	445 mm
Distance between the feet	h ₄	755 mm
Width of feet max.	h ₆	480 mm
External radius	r ₁	23 mm
Water volume		141 l
Net weight		52 kg
Anti-slip		348 x 348 mm
Full anti-slip		924 x 348 mm

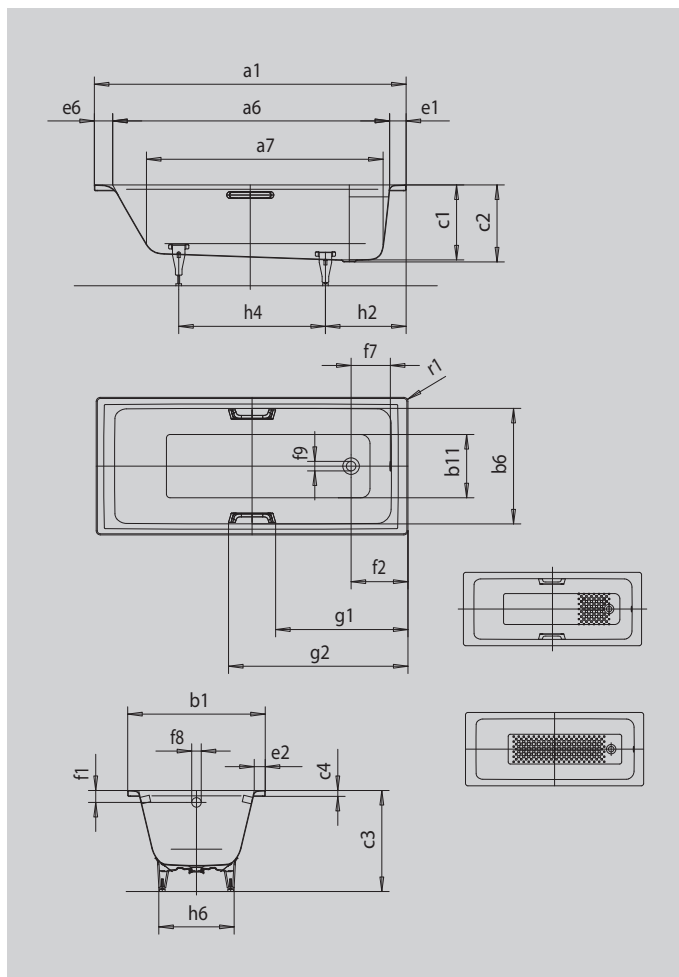
PURO

PURO STAR

- straightlined, purist design
- classic four-cornered model
- one-seater bath with waste at foot end
- perfect match for the PURO model range
- made of KALDEWEI steel enamel



Similar illustration



Model		654
External length	a ₁	1700 mm
Internal length (top)	a ₆	1510 mm
Internal length (bottom)	a ₇	1280 mm
External width	b ₁	750 mm
Internal width (top)	b ₆	620 mm
Internal width (bottom)	b ₁₁	460 mm
Depth inside	c ₁	410 mm
Depth incl. waste hole	c ₂	420 mm
Height with feet	c ₃	554 - 568 mm
Height of rim	c ₄	32 mm
Width of rim (foot end; long side; head end)	e ₁ ; e ₂ ; e ₆	90; 60; 100 mm
Distance top edge to centre of overflow hole	f ₁	65 mm
Distance bath edge to centre of waste hole	f ₂	310 mm
Distance centre of waste hole to centre of overflow hole	f ₇	214 mm
Diameter of overflow hole	f ₈	Ø 52 mm
Diameter of waste hole	f ₉	Ø 52 mm
Distance bath edge (foot end) to start of grip	g ₁	721 mm
Distance bath edge (foot end) to end of grip	g ₂	979 mm
Distance foot end of bath edge to centre of foot	h ₂	445 mm
Distance between the feet	h ₄	750 mm
Width of feet max.	h ₆	470 mm
External radius	r ₁	8 mm
Water volume		137 l
Net weight		50 kg
Anti-slip		348 x 348 mm
Full anti-slip		924 x 348 mm

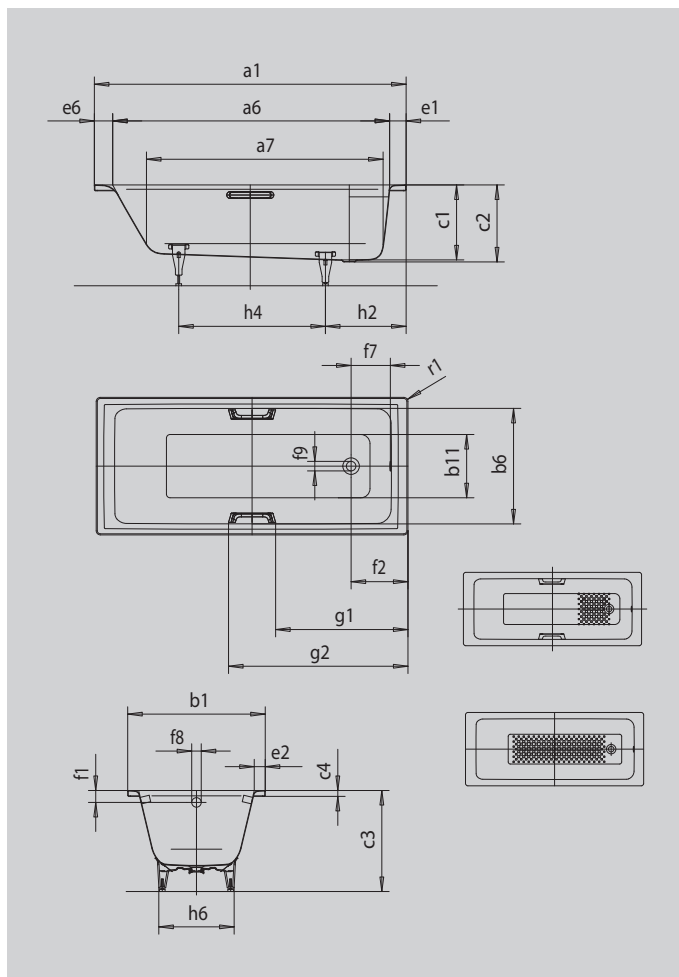
PURO

PURO STAR

- straightlined, purist design
- classic four-cornered model
- one-seater bath with waste at foot end
- perfect match for the PURO model range
- made of KALDEWEI steel enamel



Similar illustration



Model		689
External length	a ₁	1700 mm
Internal length (top)	a ₆	1510 mm
Internal length (bottom)	a ₇	1280 mm
External width	b ₁	700 mm
Internal width (top)	b ₆	580 mm
Internal width (bottom)	b ₁₁	410 mm
Depth inside	c ₁	410 mm
Depth incl. waste hole	c ₂	420 mm
Height with feet	c ₃	555 - 565 mm
Height of rim	c ₄	32 mm
Width of rim (foot end; long side; head end)	e ₁ ; e ₂ ; e ₆	90; 60; 100 mm
Distance top edge to centre of overflow hole	f ₁	65 mm
Distance bath edge to centre of waste hole	f ₂	310 mm
Distance centre of waste hole to centre of overflow hole	f ₇	214 mm
Diameter of overflow hole	f ₈	Ø 52 mm
Diameter of waste hole	f ₉	Ø 52 mm
Distance bath edge (foot end) to start of grip	g ₁	721 mm
Distance bath edge (foot end) to end of grip	g ₂	979 mm
Distance foot end of bath edge to centre of foot	h ₂	445 mm
Distance between the feet	h ₄	755 mm
Width of feet max.	h ₆	420 mm
External radius	r ₁	23 mm
Water volume		122 l
Net weight		48 kg
Anti-slip		300 x 300 mm
Full anti-slip		876 x 252 mm