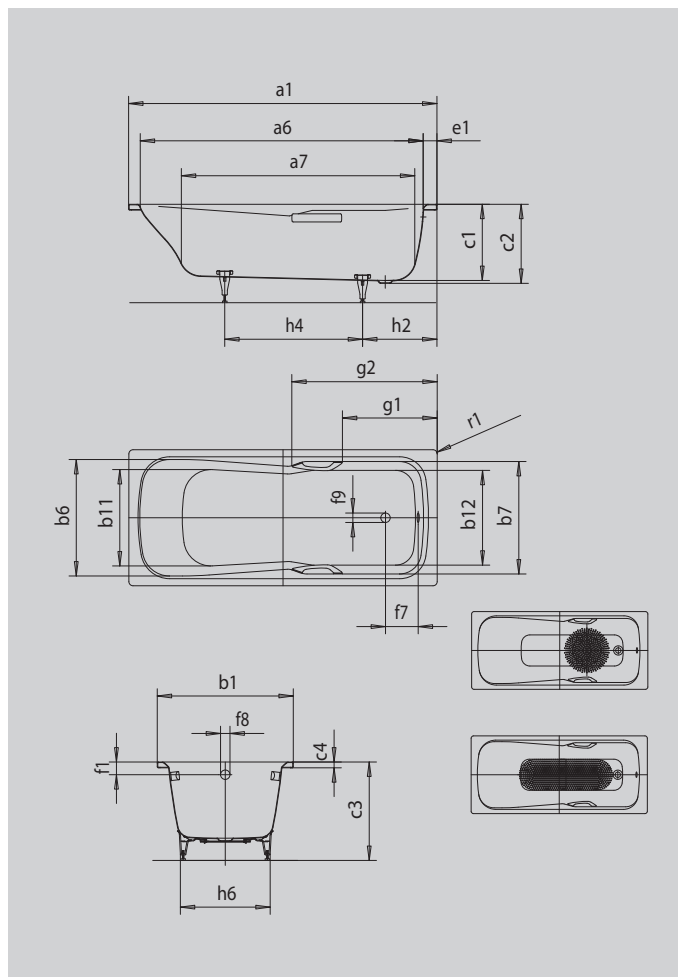


DYNA SET DYNA SET STAR

- one-seater bath with waste at foot end
- combi-bath suitable for bathing and showering
- also available with grips
- made of KALDEWEI steel enamel



Similar illustration



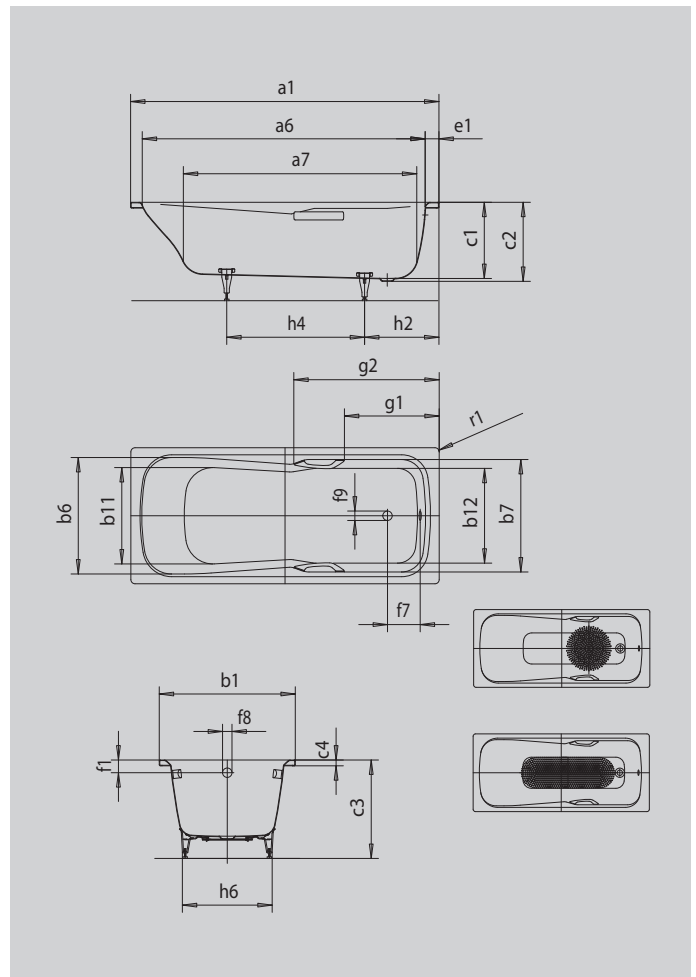
Model		624
External length	a ₁	1500 mm
Internal length (top)	a ₆	1340 mm
Internal length (bottom)	a ₇	1050 mm
External width	b ₁	750 mm
Internal width (top)	b ₆ ; b ₇	640; 640 mm
Internal width (bottom)	b ₁₁ ; b ₁₂	500; 520 mm
Depth inside	c ₁	420 mm
Depth incl. waste hole	c ₂	430 mm
Height with feet	c ₃	561 - 586 mm
Height of rim	c ₄	32 mm
Width of rim (foot end)	e ₁	100 mm
Distance top edge to centre of overflow hole	f ₁	70 mm
Distance bath edge to centre of waste hole	f ₂	310 mm
Distance centre of waste hole to centre of overflow hole	f ₇	206 mm
Diameter of overflow hole	f ₈	Ø 52 mm
Diameter of waste hole	f ₉	Ø 52 mm
Distance foot end of bath edge to centre of foot	h ₂	410 mm
Distance between the feet	h ₄	590 mm
Width of feet max.	h ₆	495 mm
External radius	r ₁	23 mm
Water volume		133 l
Net weight		45 kg
Diameter of anti-slip		Ø 288 mm
Full anti-slip		600 x 220 mm

DYNA SET DYNA SET STAR

- one-seater bath with waste at foot end
- combi-bath suitable for bathing and showering
- also available with grips
- made of KALDEWEI steel enamel



Similar illustration



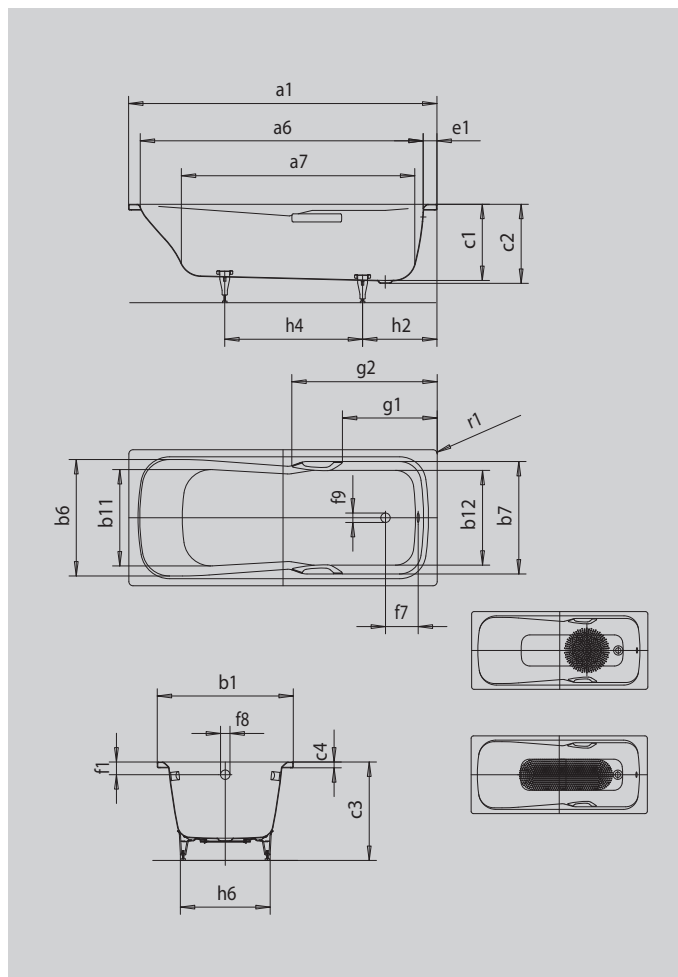
Model		626
External length	a ₁	1600 mm
Internal length (top)	a ₆	1440 mm
Internal length (bottom)	a ₇	1155 mm
External width	b ₁	700 mm
Internal width (top)	b ₆ ; b ₇	590; 590 mm
Internal width (bottom)	b ₁₁ ; b ₁₂	450; 470 mm
Depth inside	c ₁	420 mm
Depth incl. waste hole	c ₂	430 mm
Height with feet	c ₃	561 - 586 mm
Height of rim	c ₄	32 mm
Width of rim (foot end)	e ₁	100 mm
Distance top edge to centre of overflow hole	f ₁	70 mm
Distance bath edge to centre of waste hole	f ₂	310 mm
Distance centre of waste hole to centre of overflow hole	f ₇	206 mm
Diameter of overflow hole	f ₈	Ø 52 mm
Diameter of waste hole	f ₉	Ø 52 mm
Distance foot end of bath edge to centre of foot	h ₂	410 mm
Distance between the feet	h ₄	690 mm
Width of feet max.	h ₆	445 mm
External radius	r ₁	8 mm
Water volume		122 l
Net weight		46 kg
Diameter of anti-slip		Ø 288 mm
Full anti-slip		850 x 240 mm

DYNA SET DYNA SET STAR

- one-seater bath with waste at foot end
- combi-bath suitable for bathing and showering
- also available with grips
- made of KALDEWEI steel enamel



Similar illustration



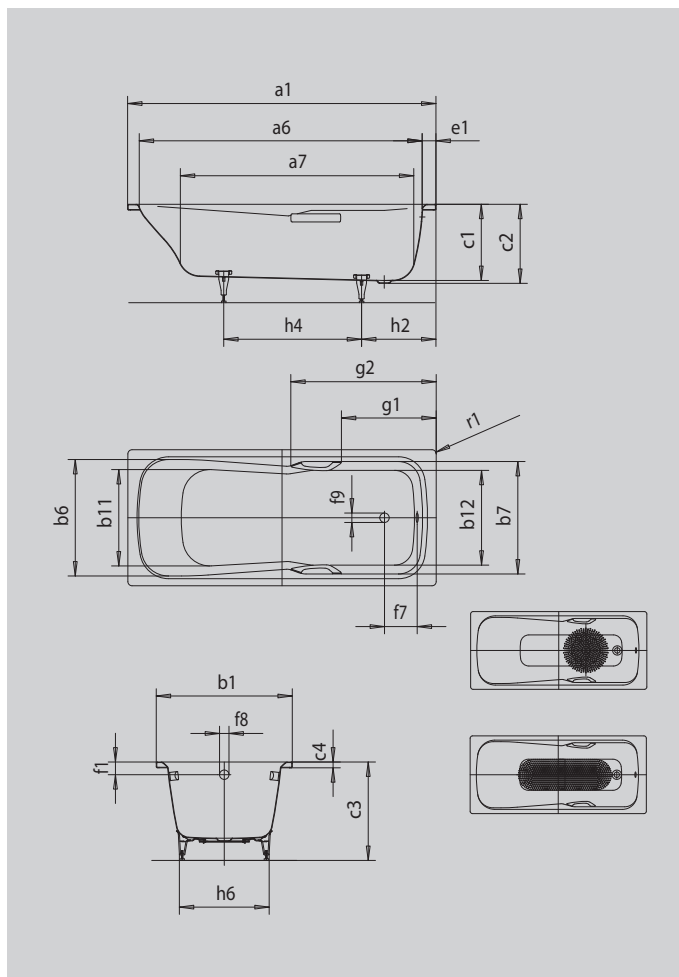
Model		620
External length	a ₁	1700 mm
Internal length (top)	a ₆	1565 mm
Internal length (bottom)	a ₇	1230 mm
External width	b ₁	750 mm
Internal width (top)	b ₆ ; b ₇	640; 620 mm
Internal width (bottom)	b ₁₁ ; b ₁₂	500; 520 mm
Depth inside	c ₁	420 mm
Depth incl. waste hole	c ₂	430 mm
Height with feet	c ₃	561 - 586 mm
Height of rim	c ₄	32 mm
Width of rim (foot end)	e ₁	75 mm
Distance top edge to centre of overflow hole	f ₁	70 mm
Distance bath edge to centre of waste hole	f ₂	285 mm
Distance centre of waste hole to centre of overflow hole	f ₇	206 mm
Diameter of overflow hole	f ₈	Ø 52 mm
Diameter of waste hole	f ₉	Ø 52 mm
Distance foot end of bath edge to centre of foot	h ₂	410 mm
Distance between the feet	h ₄	760 mm
Width of feet max.	h ₆	495 mm
External radius	r ₁	23 mm
Water volume		169 l
Net weight		53 kg
Diameter of anti-slip		Ø 435 mm
Full anti-slip		900 x 300 mm

DYNA SET DYNA SET STAR

- one-seater bath with waste at foot end
- combi-bath suitable for bathing and showering
- also available with grips
- made of KALDEWEI steel enamel



Similar illustration



Model		622
External length	a ₁	1800 mm
Internal length (top)	a ₆	1565 mm
Internal length (bottom)	a ₇	1230 mm
External width	b ₁	800 mm
Internal width (top)	b ₆ ; b ₇	640; 620 mm
Internal width (bottom)	b ₁₁ ; b ₁₂	500; 520 mm
Depth inside	c ₁	420 mm
Depth incl. waste hole	c ₂	430 mm
Height with feet	c ₃	561 - 586 mm
Height of rim	c ₄	32 mm
Width of rim (foot end)	e ₁	125 mm
Distance top edge to centre of overflow hole	f ₁	70 mm
Distance bath edge to centre of waste hole	f ₂	335 mm
Distance centre of waste hole to centre of overflow hole	f ₇	206 mm
Diameter of overflow hole	f ₈	Ø 52 mm
Diameter of waste hole	f ₉	Ø 52 mm
Distance foot end of bath edge to centre of foot	h ₂	415 mm
Distance between the feet	h ₄	805 mm
Width of feet max.	h ₆	495 mm
External radius	r ₁	8 mm
Water volume		169 l
Net weight		68 kg
Diameter of anti-slip		Ø 435 mm
Full anti-slip		900 x 300 mm