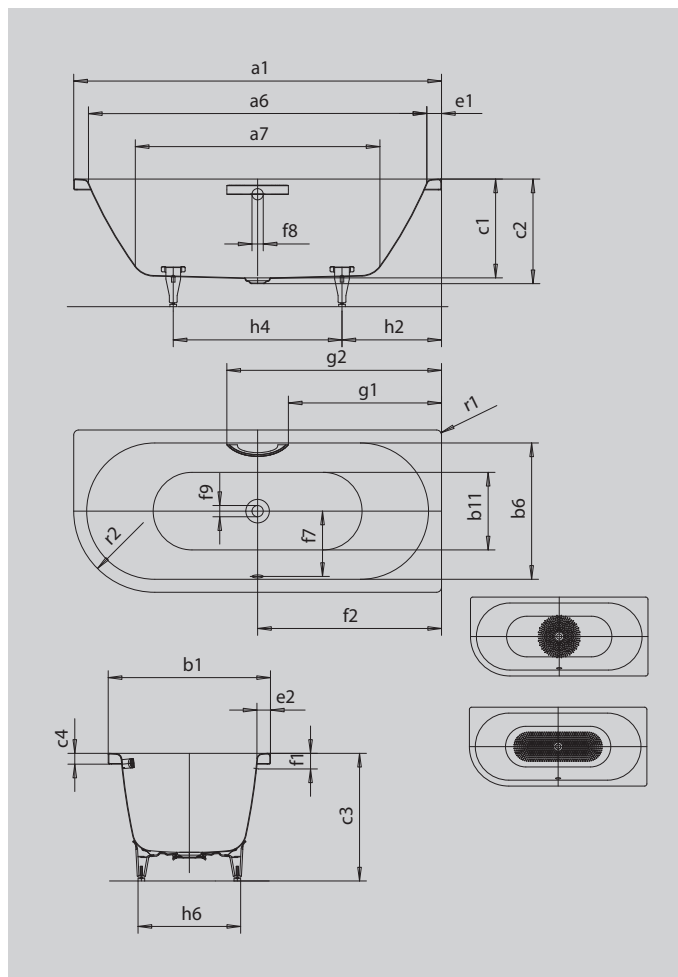


CENTRO DUO 1 LEFT

- pure simplicity and unpretentious elegance distinguish these baths
- enamelled waste cover and overflow knob integrated in the bath design (also available with filling function)
- bathing with a friend: two identical back rests and centrally positioned waste
- made of KALDEWEI steel enamel



Similar illustration



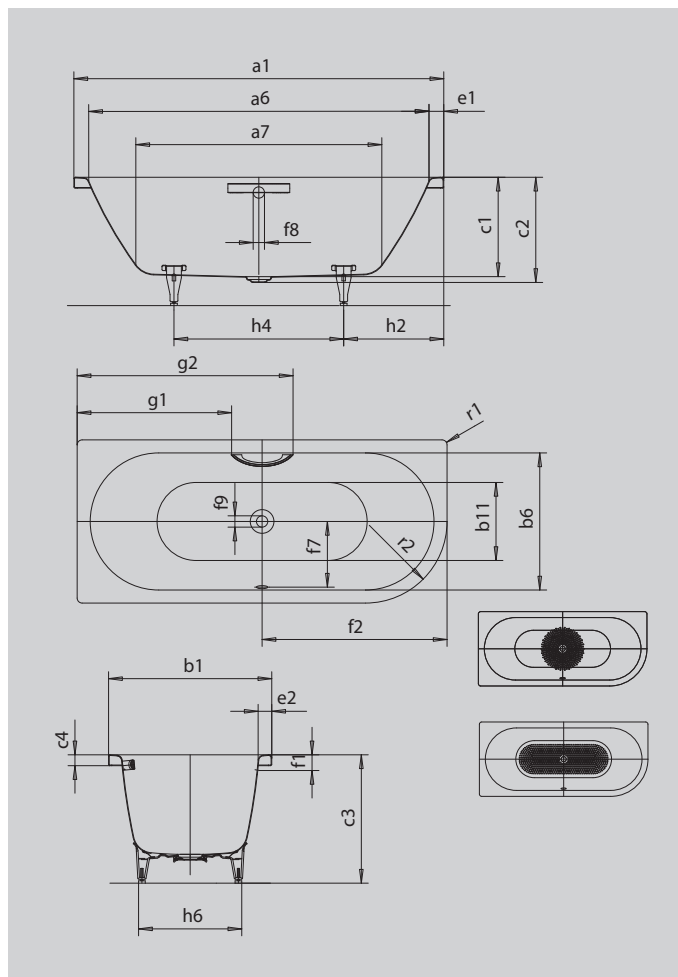
Model		129
External length	a ₁	1700 mm
Internal length (top)	a ₆	1580 mm
Internal length (bottom)	a ₇	1130 mm
External width	b ₁	750 mm
Internal width (top)	b ₆	630 mm
Internal width (bottom)	b ₁₁	510 mm
Depth inside	c ₁	460 mm
Depth incl. waste hole	c ₂	485 mm
Height with feet	c ₃	605 - 640 mm
Height of rim	c ₄	50 mm
Width of rim (foot end; long side)	e ₁ ; e ₂	60; 60 mm
Distance top edge to centre of overflow hole	f ₁	70 mm
Distance bath edge to centre of waste hole	f ₂	850 mm
Distance centre of waste hole to centre of overflow hole	f ₇	307 mm
Diameter of overflow hole	f ₈	Ø 52 mm
Diameter of waste hole	f ₉	Ø 52 mm
Distance bath edge (foot end) to start of grip	g ₁	708 mm
Distance bath edge (foot end) to end of grip	g ₂	992 mm
Distance foot end of bath edge to centre of foot	h ₂	560 mm
Distance between the feet	h ₄	580 mm
Width of feet max.	h ₆	465 mm
External radius	r ₁	23 mm
External radius	r ₂	375 mm
Water volume		156 l
Net weight		53 kg
Pedestal		5030
Diameter of anti-slip		Ø 435 mm
Full anti-slip		900 x 300 mm

CENTRO DUO 1 RIGHT

- pure simplicity and unpretentious elegance distinguish these baths
- enamelled waste cover and overflow knob integrated in the bath design (also available with filling function)
- bathing with a friend: two identical back rests and centrally positioned waste
- made of KALDEWEI steel enamel



Similar illustration



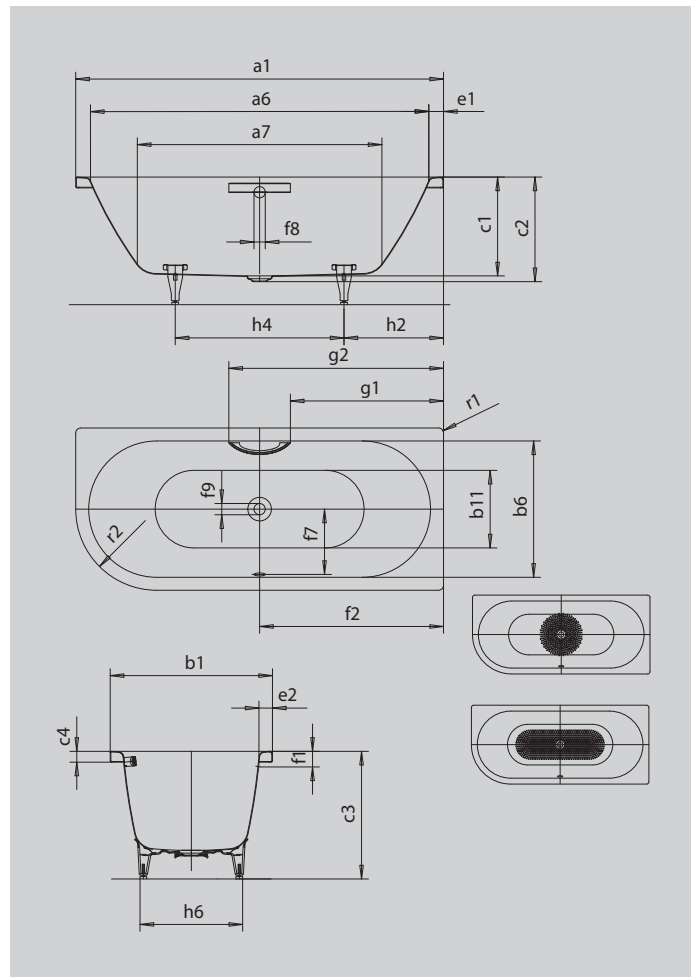
Model		130
External length	a ₁	1700 mm
Internal length (top)	a ₆	1580 mm
Internal length (bottom)	a ₇	1130 mm
External width	b ₁	750 mm
Internal width (top)	b ₆	630 mm
Internal width (bottom)	b ₁₁	510 mm
Depth inside	c ₁	460 mm
Depth incl. waste hole	c ₂	485 mm
Height with feet	c ₃	605 - 640 mm
Height of rim	c ₄	50 mm
Width of rim (foot end; long side)	e ₁ ; e ₂	60; 60 mm
Distance top edge to centre of overflow hole	f ₁	70 mm
Distance bath edge to centre of waste hole	f ₂	850 mm
Distance centre of waste hole to centre of overflow hole	f ₇	307 mm
Diameter of overflow hole	f ₈	Ø 52 mm
Diameter of waste hole	f ₉	Ø 52 mm
Distance bath edge (foot end) to start of grip	g ₁	708 mm
Distance bath edge (foot end) to end of grip	g ₂	992 mm
Distance foot end of bath edge to centre of foot	h ₂	560 mm
Distance between the feet	h ₄	580 mm
Width of feet max.	h ₆	465 mm
External radius	r ₁	23 mm
External radius	r ₂	375 mm
Water volume		156 l
Net weight		53 kg
Pedestal		5030
Diameter of anti-slip		Ø 435 mm
Full anti-slip		900 x 300 mm

CENTRO DUO 1 LEFT

- pure simplicity and unpretentious elegance distinguish these baths
- enamelled waste cover and overflow knob integrated in the bath design (also available with filling function)
- bathing with a friend: two identical back rests and centrally positioned waste
- made of KALDEWEI steel enamel



Similar illustration



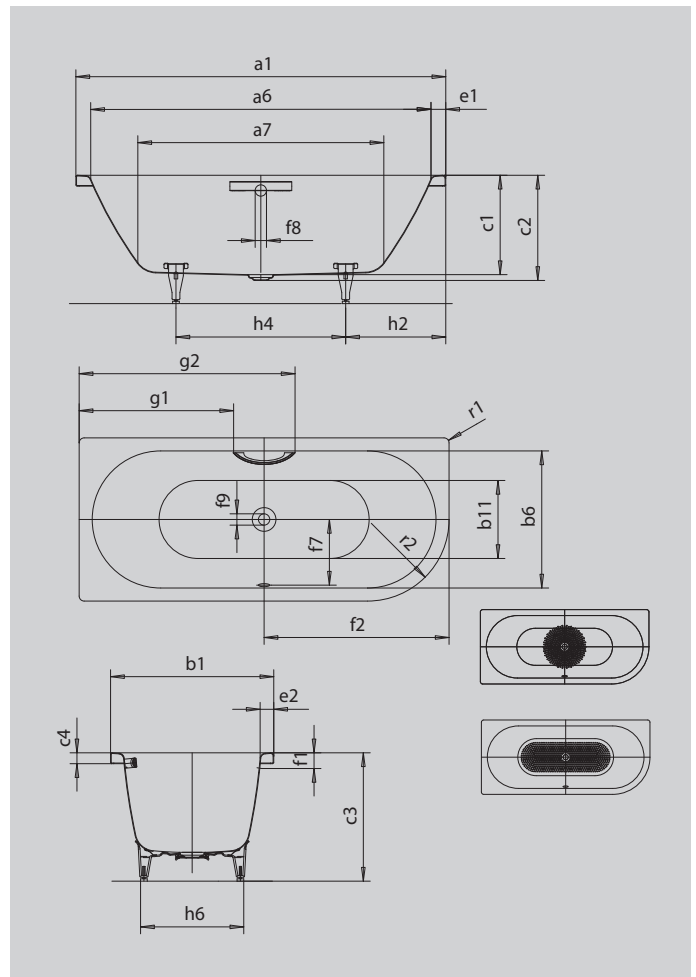
Model		136
External length	a ₁	1800 mm
Internal length (top)	a ₆	1680 mm
Internal length (bottom)	a ₇	1230 mm
External width	b ₁	800 mm
Internal width (top)	b ₆	680 mm
Internal width (bottom)	b ₁₁	560 mm
Depth inside	c ₁	460 mm
Depth incl. waste hole	c ₂	485 mm
Height with feet	c ₃	595 - 630 mm
Height of rim	c ₄	50 mm
Width of rim (foot end; long side)	e ₁ ; e ₂	60; 60 mm
Distance top edge to centre of overflow hole	f ₁	70 mm
Distance bath edge to centre of waste hole	f ₂	900 mm
Distance centre of waste hole to centre of overflow hole	f ₇	332 mm
Diameter of overflow hole	f ₈	Ø 52 mm
Diameter of waste hole	f ₉	Ø 52 mm
Distance bath edge (foot end) to start of grip	g ₁	758 mm
Distance bath edge (foot end) to end of grip	g ₂	1042 mm
Distance foot end of bath edge to centre of foot	h ₂	600 mm
Distance between the feet	h ₄	600 mm
Width of feet max.	h ₆	540 mm
External radius	r ₁	23 mm
External radius	r ₂	400 mm
Water volume		195 l
Net weight		56 kg
Pedestal		5032
Diameter of anti-slip		Ø 435 mm
Full anti-slip		900 x 300 mm

CENTRO DUO 1 RIGHT

- pure simplicity and unpretentious elegance distinguish these baths
- enamelled waste cover and overflow knob integrated in the bath design (also available with filling function)
- bathing with a friend: two identical back rests and centrally positioned waste
- made of KALDEWEI steel enamel



Similar illustration



Model		137
External length	a ₁	1800 mm
Internal length (top)	a ₆	1680 mm
Internal length (bottom)	a ₇	1230 mm
External width	b ₁	800 mm
Internal width (top)	b ₆	680 mm
Internal width (bottom)	b ₁₁	560 mm
Depth inside	c ₁	460 mm
Depth incl. waste hole	c ₂	485 mm
Height with feet	c ₃	595 - 630 mm
Height of rim	c ₄	50 mm
Width of rim (foot end; long side)	e ₁ ; e ₂	60; 60 mm
Distance top edge to centre of overflow hole	f ₁	70 mm
Distance bath edge to centre of waste hole	f ₂	900 mm
Distance centre of waste hole to centre of overflow hole	f ₇	332 mm
Diameter of overflow hole	f ₈	Ø 52 mm
Diameter of waste hole	f ₉	Ø 52 mm
Distance bath edge (foot end) to start of grip	g ₁	758 mm
Distance bath edge (foot end) to end of grip	g ₂	1042 mm
Distance foot end of bath edge to centre of foot	h ₂	600 mm
Distance between the feet	h ₄	600 mm
Width of feet max.	h ₆	540 mm
External radius	r ₁	23 mm
External radius	r ₂	400 mm
Water volume		195 l
Net weight		56 kg
Pedestal		5032
Diameter of anti-slip		Ø 435 mm
Full anti-slip		900 x 300 mm